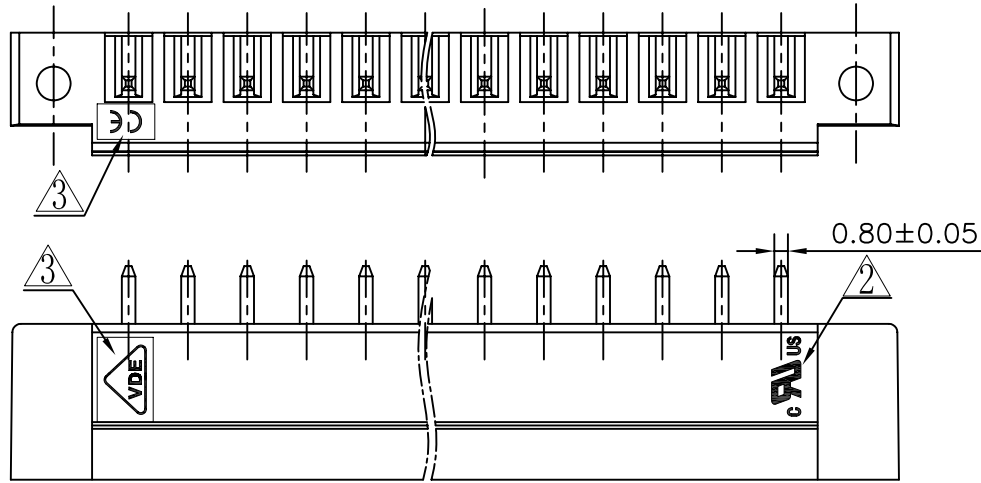


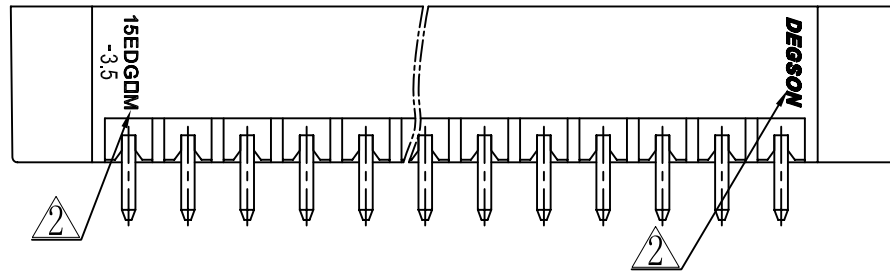
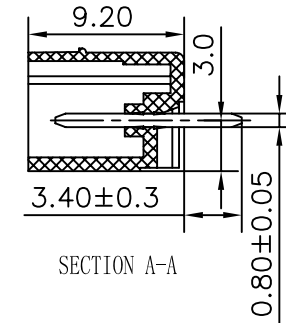
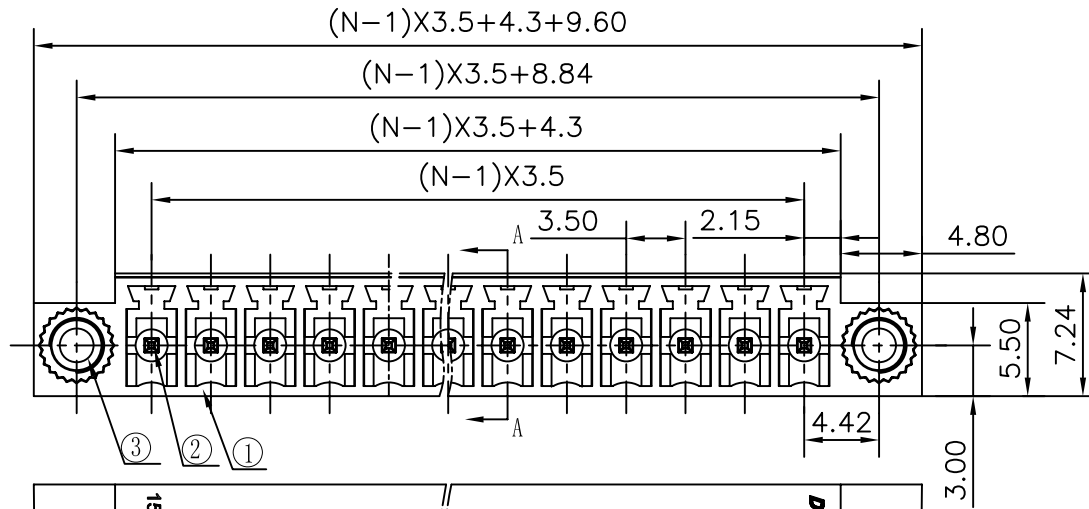
REVISION RECORD					
REV	ECO	DESCRIPTION	DRFT	DATE	
△		Drawing emend	Home	04/07/06*	
△		增加商标、品名、UL刻字	WLM	08/06/08*	
△		增加VDE, CE刻字	Zengy	01/15/09*	



Notes:

1. Pitch: 3.5mm poles:2-24p
2. Rated voltage/current: UL 300V/8A
VDE 250V/7A
3. Operation temperatures:-40° C~+105° C
4. Withstanding voltage: AC2000V/1min
5. Insulation resistance:5000MΩ/DC1000V
6. Undimensioned Tolerances:

Pitch range in mm		Nominal dimension range in mm						—
	over 6	over 10	over 30	over 60	over 100	over 150	∩	
to 6	to 10	to 24	to 30	to 60	to 150		∇	
±0.10	±0.15	±0.25	±0.2	±0.3	±0.5	±0.7	±1.0	



3	2EDG-screw cap	S000000040 (H)	2	Brass	
2	15EDGVC Pin header	1002B00010 (H)	XX	Brass	SnCe

ITEM	NAME OF PART	NO. OF PART	Q"TY	MATERIAL	NOTES
1	15EDGVM-3.5 housing	1040A0YXXA (H)	1	PA66	UL94V-0

TOLERANCES EXCEPT AS NOTED		DFTO: Zhuwm		DATE 01/24/05*	
MM (INCH)		CHKD	DATE		
		MFO	DATE		
		APPVL	DATE		
MM	±	MATERIAL :			
.0 ±	±	NAME			
.00 ±	±	15EDGVM-3.5-XXP-1Y-00A(H)			
.000 ±	±	DRAWING NO. 15EDGVM-3.5-E01			
ANGLES ± 1°		G.E :		SIZE	REV
		FINISH :		A3	T3
THIRD ANGLE PROJECTION		SCALE : 1:1		01/15/09*	

DETAILED LISTS		DO NOT SCALE DRAWING		SHEET 1 OF 1	