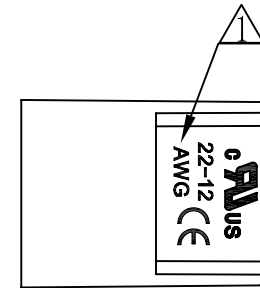
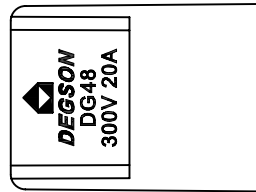
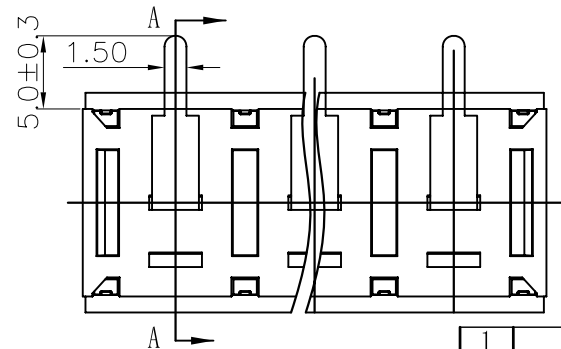
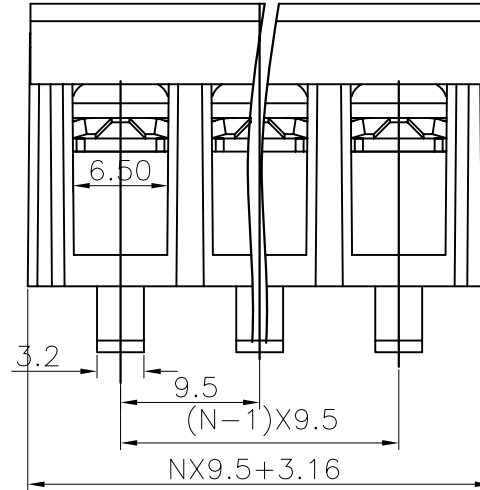
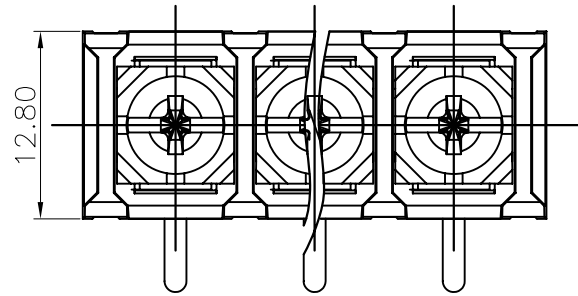
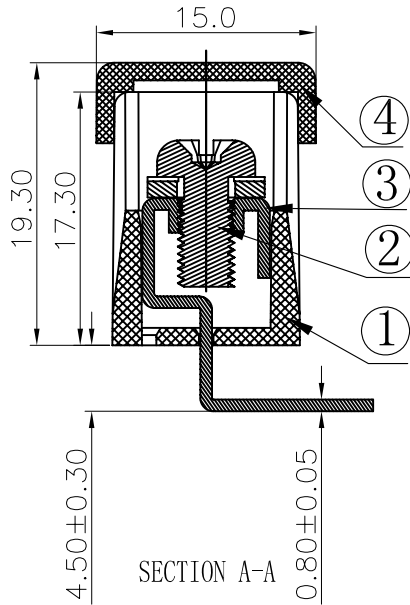


REVISION RECORD				
REV	ECO	DESCRIPTION	DRFT	DATE
△		增加UL刻字	CSX	03/16/07
△		品名、料号增加环保标识“(H)”	YeJ	12/08/07

Notes:

1. Pitch: 9.5mm, Poles: 2-22P
2. Rated current: 20A
3. Rated voltage: 300V
4. Operation temperatures: -40° C ~ +105° C
5. Insulation Withstand Voltage: AC2000V/Min
6. Insulation Resistance: 500MΩ / DC500V
7. Wire Range: 22~12AWG
8. Max. Torque Value: 12.24kgf.cm
9. Undimensioned Tolerances:

Pitch range in mm		Nominal dimension range in mm						
to	over	over	to	over	over	over	∩	
6	6	10	30	60	100	150	∇	
	to	to	to	to	to			
	10	24	60	100	150			
	±0.10	±0.15	±0.25	±0.2	±0.3	±0.5	±1.0	0.05/10



4	DG48-Cover	5051C07XXA(H)	1	PC	
3	DG58R Pin header	5008B00060(H)	XX	Brass	SnCe plated
2	M4*8(7.5*7.5) bright Screws	S000000570(H)	XX	Steel	Ni plated

1	DG48-B-Housing	5051A0YXXA(H)	1	PA66+23%GF	UL94V-0																
ITEM	NAME OF PART	NO. OF PART	Q'TY	MATERIAL	NOTES																
<table border="1"> <thead> <tr> <th>MM (INCH)</th> <th>±</th> </tr> </thead> <tbody> <tr> <td>.0 ±</td> <td>±</td> </tr> <tr> <td>.00 ±</td> <td>±</td> </tr> <tr> <td>.000 ±</td> <td>±</td> </tr> </tbody> </table>		MM (INCH)	±	.0 ±	±	.00 ±	±	.000 ±	±	<table border="1"> <tr> <td>DFTO: Zhuwm</td> <td>DATE: 01/13/06"</td> </tr> <tr> <td>CHKD:</td> <td>DATE:</td> </tr> <tr> <td>MFO:</td> <td>DATE:</td> </tr> <tr> <td>APPVL:</td> <td>DATE:</td> </tr> </table>		DFTO: Zhuwm	DATE: 01/13/06"	CHKD:	DATE:	MFO:	DATE:	APPVL:	DATE:	<p>DEGSON® 宁波高正电子有限公司 DEGSON ELECTRONICS CO., LTD</p>	
MM (INCH)	±																				
.0 ±	±																				
.00 ±	±																				
.000 ±	±																				
DFTO: Zhuwm	DATE: 01/13/06"																				
CHKD:	DATE:																				
MFO:	DATE:																				
APPVL:	DATE:																				
<table border="1"> <tr> <td>ANGLES ± 1'</td> <td>G.E.:</td> </tr> <tr> <td>THIRD ANGLE PROJECTION</td> <td>FINISH:</td> </tr> </table>		ANGLES ± 1'	G.E.:	THIRD ANGLE PROJECTION	FINISH:	<p>NAME DG48R-B-XXP-1Y-00A(H)</p>		<table border="1"> <tr> <td>DRAWING NO. DG48R-E02</td> <td>SIZE A3</td> <td>REV T2</td> </tr> <tr> <td>/PART NO.</td> <td></td> <td>12/08/07"</td> </tr> </table>		DRAWING NO. DG48R-E02	SIZE A3	REV T2	/PART NO.		12/08/07"						
ANGLES ± 1'	G.E.:																				
THIRD ANGLE PROJECTION	FINISH:																				
DRAWING NO. DG48R-E02	SIZE A3	REV T2																			
/PART NO.		12/08/07"																			
SCALE: 1:1			DO NOT SCALE DRAWING		SHEET 1 OF 1																