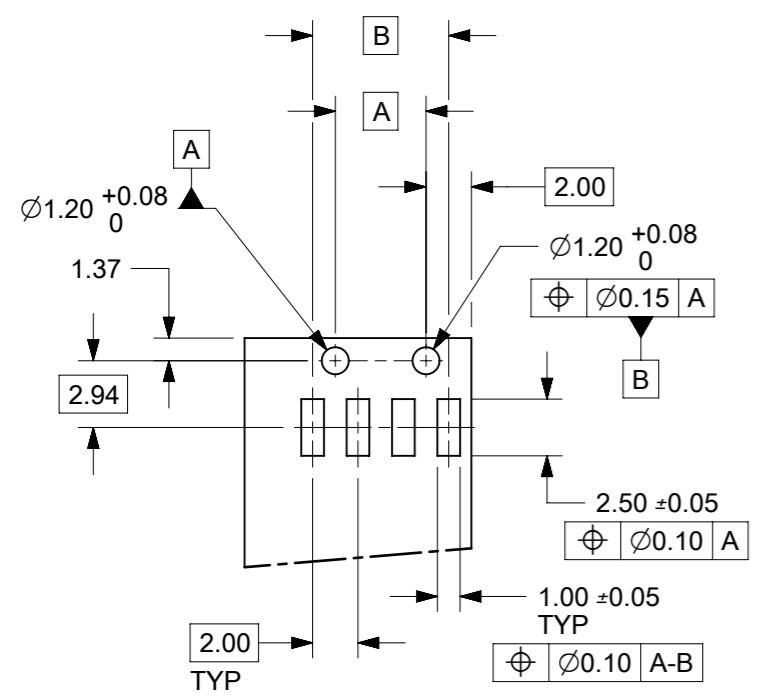
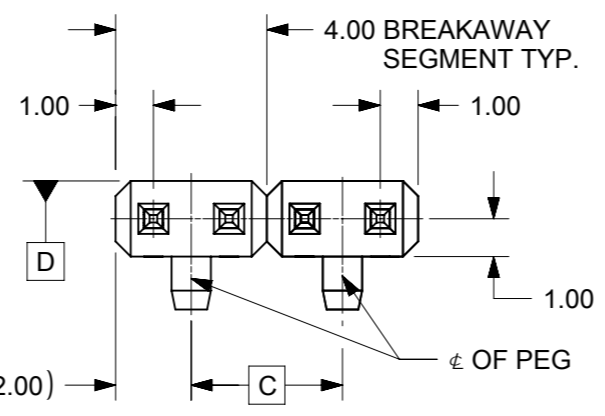
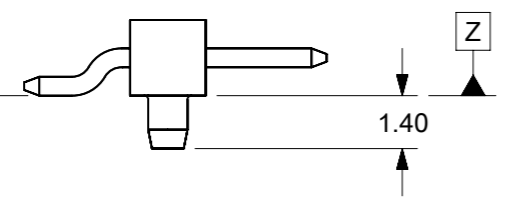
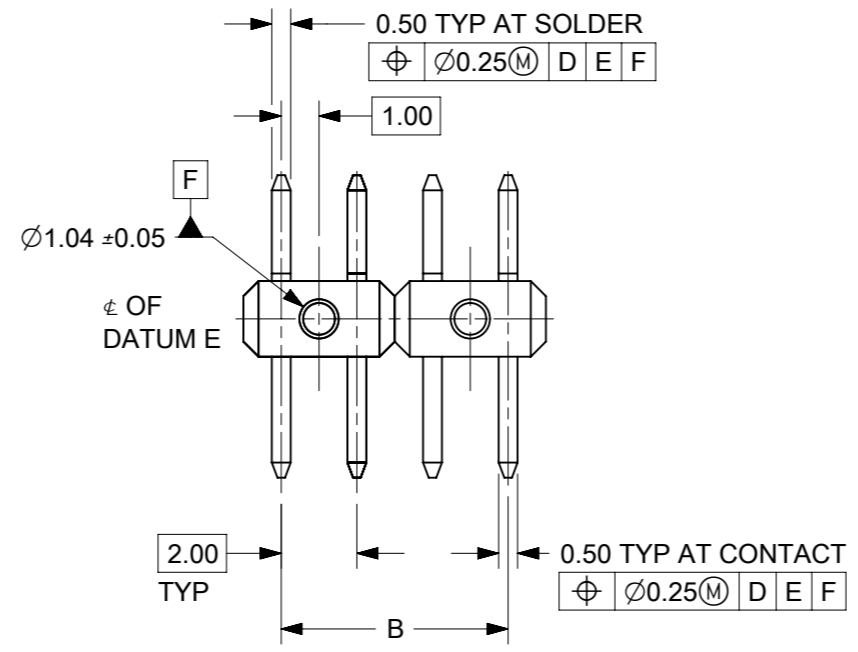


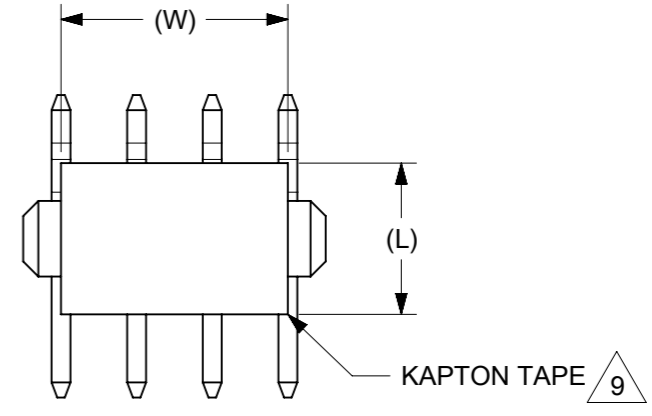
8	CKT SIZE	
0.10 Z	02-10	
0.15 Z	12-20	



RECOMMENDED PCB LAYOUT





- NOTES:
- MATERIAL:
HSG: LCP, GLASS-FILLED, UL94V-0, COLOR:BLACK
PIN: 0.50mm SQ, COPPER ALLOY
 - PLATING:
(1) 2.540µm TIN OVERALL PLATING OVER NICKEL OVERALL
(2) 5.080µm TIN OVERALL PLATING OVER NICKEL OVERALL
 - PACKAGING TYPE: SEE TABLE
 - PACKAGING SPECIFICATION:
TRAY: PK-89990-544
TAPE & REEL: PK-89990-484
 - PRODUCT SPEC PS-87761-100 APPLIES
 - IRREGULAR CIRCUIT CUTOFF WITHIN BREAKAWAY SECTION IS PERMISSIBLE. MEASUREMENT AT BOTH ENDS, FROM CUT END TO THE CENTRELINE OF THE HOUSING CORE HOLE OF THE FIRST PIN REMAINS AT 1.00±0.20MM. CUTTING AND CHIPPING OF THE MAIN BODY IS NOT ACCEPTABLE.
 - THE ABOVE CKT 4 IS FOR ILLUSTRATION PURPOSE ONLY
 - COPLANARITY IS TO BE MEASURED BY RESTING THE SOLDER TAIL ON A GAUGE SURFACE
 - KAPTON TAPE LOCATION IS CENTERED ALONG THE PART AS SHOWN.
 - RECOMMENDED PCB BOARD THICKNESS: 1.60±0.10mm



THIS DRAWING CONTAINS INFORMATION THAT IS PROPRIETARY TO MOLEX ELECTRONIC TECHNOLOGIES, LLC AND SHOULD NOT BE USED WITHOUT WRITTEN PERMISSION		CURRENT REV DESC: REMASTERED IN NX/ECTR			
DIMENSION UNITS	SCALE				
mm	NTS			CUSTOM HEADER 2MM SINGLE ROW HDR IN SMT WITH PEG, BREAKAWAY	
GENERAL TOLERANCES (UNLESS SPECIFIED)				PRODUCT CUSTOMER DRAWING	
ANGULAR TOL	± 3.0°			DOCUMENT NUMBER	
4 PLACES	±	EC NO: 645378	2020/09/10	SD-87858-001	
3 PLACES	±	DRWN: SCV	2020/09/15	DOC TYPE	DOC PART
2 PLACES	± 0.2	CHK'D: MRAMAKRISHNA	2020/09/15	PSD	001
1 PLACE	±	APPR: MRAMAKRISHNA	2020/09/15	REVISION	
0 PLACES	±	INITIAL REVISION:		C5	
DRAFT WHERE APPLICABLE MUST REMAIN WITHIN DIMENSIONS		DRWN: KSEE	2003/12/14	MATERIAL NUMBER	
THIRD ANGLE PROJECTION		APPR: PTLIM	2003/12/15	CUSTOMER	
DRAWING		SERIES		SHEET NUMBER	
A3-SIZE		87858		1 OF 3	

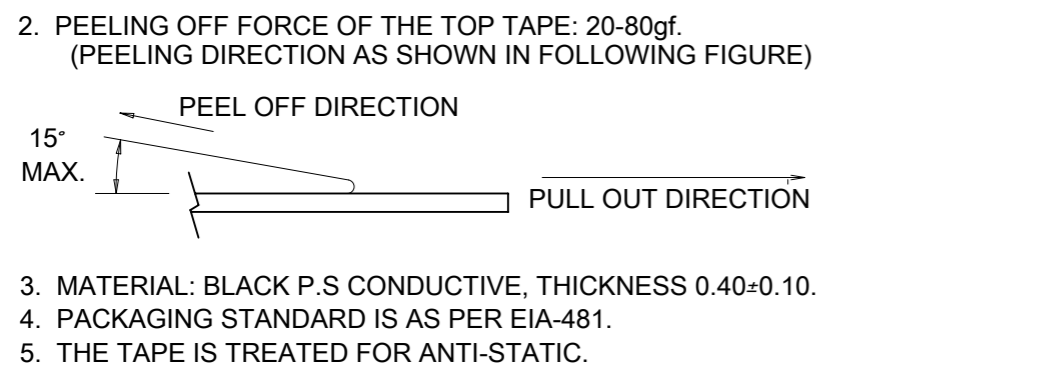
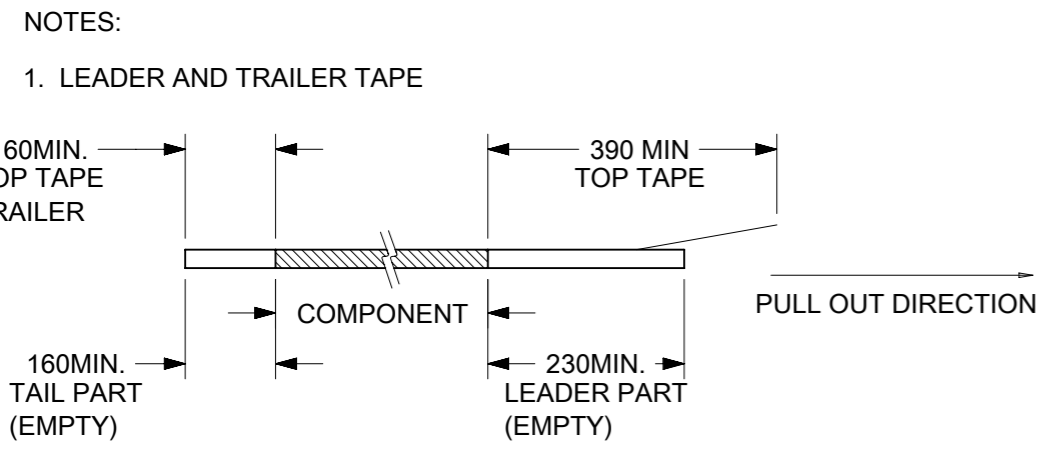
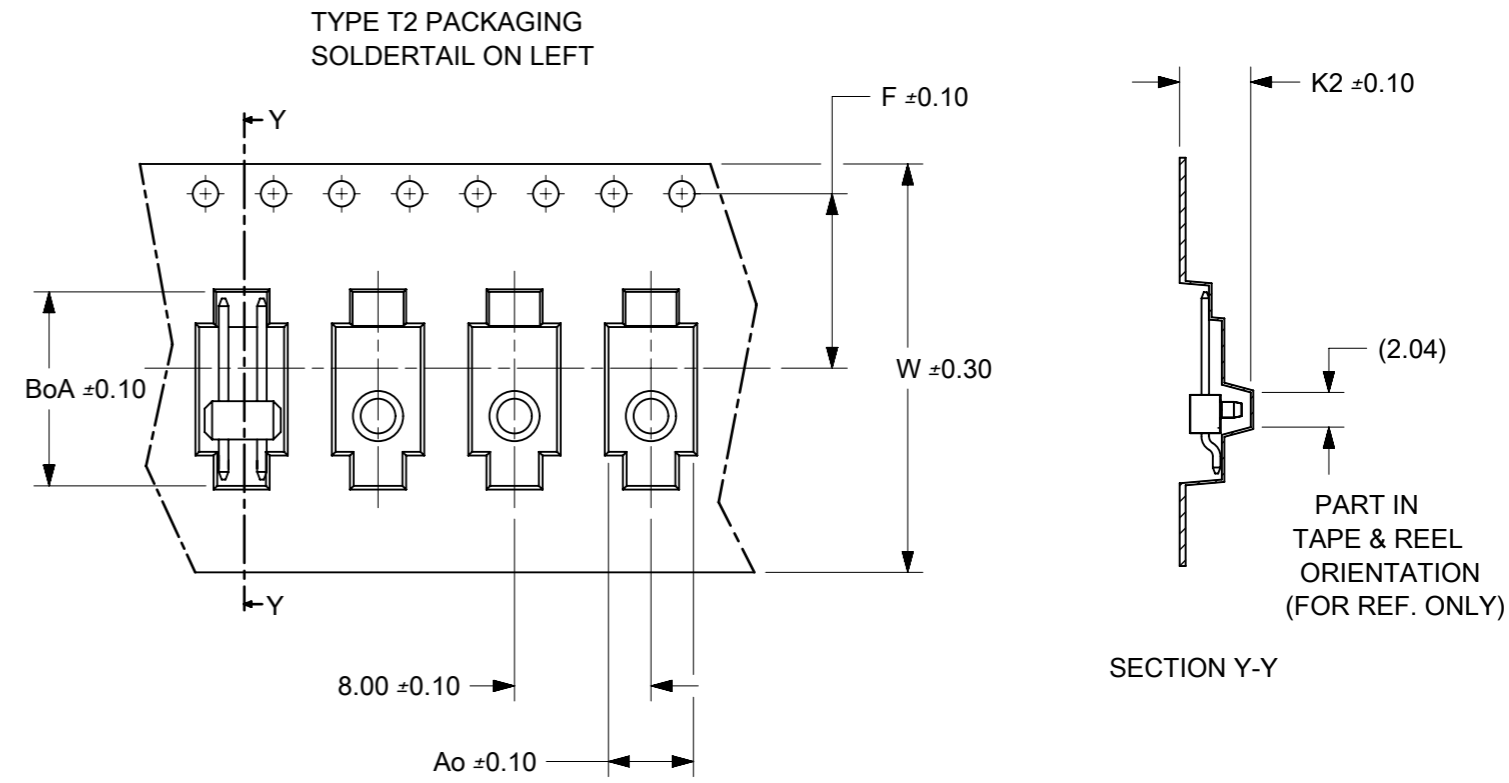
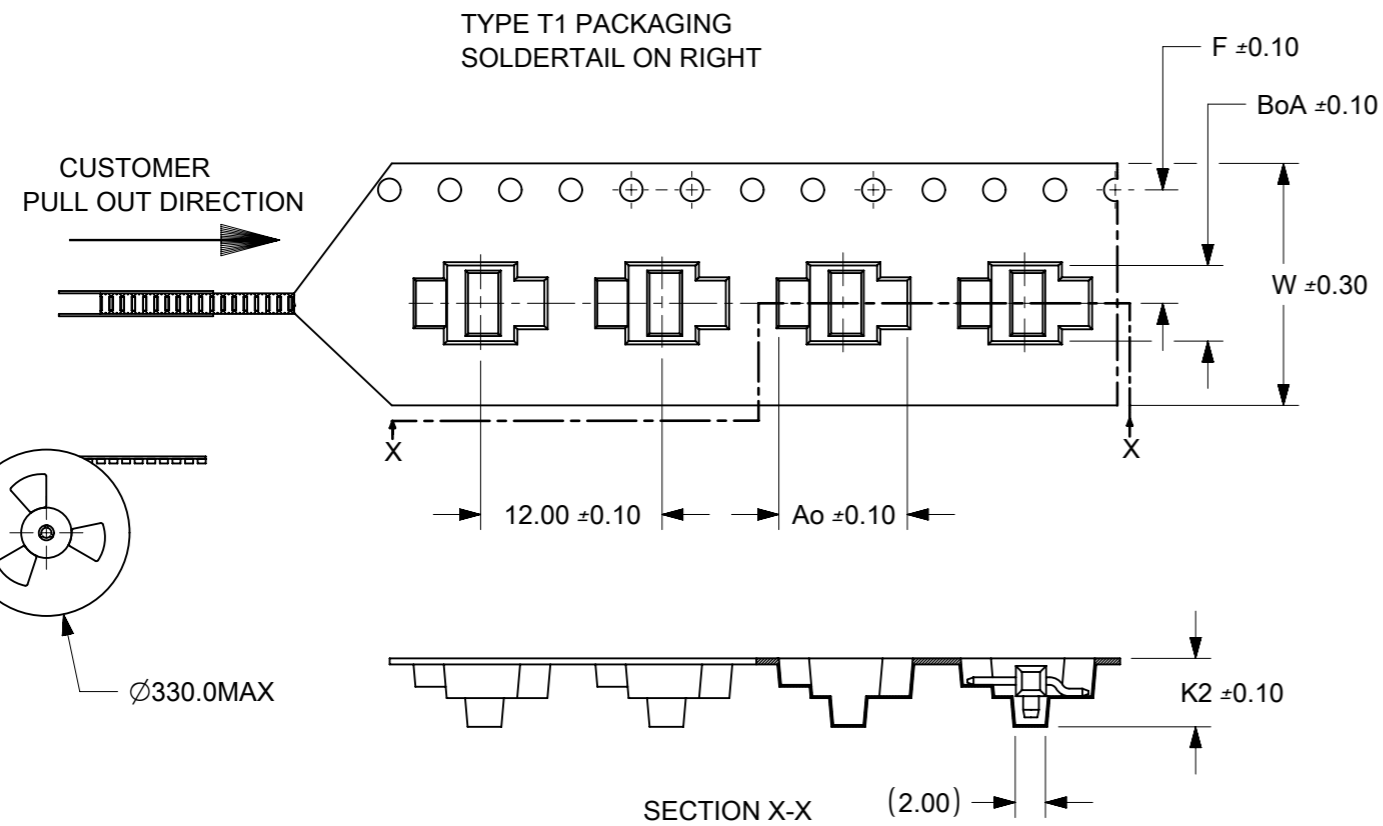
CKT SIZE	DIMENSION		
	A	B	C
02	4.00	2.00	-
04	8.00	6.00	4.00
06	12.00	10.00	8.00
08	16.00	14.00	12.00
10	20.00	18.00	16.00
12	24.00	22.00	20.00
14	28.00	26.00	24.00
16	32.00	30.00	28.00
18	36.00	34.00	32.00
20	40.00	38.00	36.00

PART NO. IN TAPE & REEL PACKAGING	PART NO. IN TRAY PACKAGING	CKT SIZE	PEG	PLATE OPT.	VOID POSITION	KAPTON TAPE	DIMENSION					PACKAGING TYPE
							F	MATING END	SOLDER TAIL	KAPTON TAPE		
								M	P	W	L	
-	87858-0002	2	Y	1	---	N	8.00	3.20	2.80	-	-	-
87858-0250	-	2	N	1	---	Y	8.00	3.20	2.80	4.00	3.00	T1
87858-0003	87858-0001	2	Y	1	---	N	10.80	6.00	2.80	-	-	T2
87858-0005	87858-0006	2	N	1	---	N	10.80	6.00	2.80	-	-	T2
-	87858-0004	4	Y	1	---	N	8.00	3.20	2.80	-	-	-
87858-0450	-	4	N	1	---	Y	8.00	3.20	2.80	4.00	4.00	T1
87858-0460	-	4	N	1	---	Y	8.97	4.17	2.80	4.00	4.00	T1

THIS DRAWING CONTAINS INFORMATION THAT IS PROPRIETARY TO MOLEX ELECTRONIC TECHNOLOGIES, LLC AND SHOULD NOT BE USED WITHOUT WRITTEN PERMISSION											
DIMENSION UNITS	SCALE	CURRENT REV DESC: REMASTERED IN NX/ECTR									
mm	NTS	 CUSTOM HEADER 2MM SINGLE ROW HDR IN SMT WITH PEG, BREAKAWAY PRODUCT CUSTOMER DRAWING									
GENERAL TOLERANCES (UNLESS SPECIFIED)											
ANGULAR TOL	± 3.0 °	EC NO: 645378		2020/09/10		2020/09/15		2020/09/15		2020/09/15	
4 PLACES	±	DRWN: SCV		2020/09/15		2020/09/15		2020/09/15		2020/09/15	
3 PLACES	±	CHK'D: MRAMAKRISHNA		2020/09/15		2020/09/15		2020/09/15		2020/09/15	
2 PLACES	± 0.2	APPR: MRAMAKRISHNA		2020/09/15		2020/09/15		2020/09/15		2020/09/15	
1 PLACE	±	INITIAL REVISION:		2003/12/14		2003/12/15		2003/12/14		2003/12/15	
0 PLACES	±	DRWN: KSEE		2003/12/14		2003/12/15		2003/12/14		2003/12/15	
DRAFT WHERE APPLICABLE MUST REMAIN WITHIN DIMENSIONS		THIRD ANGLE PROJECTION		DRAWING		SERIES		MATERIAL NUMBER		CUSTOMER	
				A3-SIZE		87858		SEE TABLE		GENERAL MARKET	
								SD-87858-001		PSD 001 C5	
										SHEET NUMBER 2 OF 3	

DOCUMENT STATUS	P1	RELEASE DATE	2020/09/15	15:25:21
-----------------	----	--------------	------------	----------

PACKAGING TYPE	CKT	DIMENSION					PACKABLE QTY
		BoA	Ao	K2	F	W	
T1	2	5.00	8.50	4.40	7.50	16.00	1200
	4	9.00	8.50	4.40	11.50	16.00	1200
T2	2	11.40	5.00	4.20	11.50	24.00	2000



THIS DRAWING CONTAINS INFORMATION THAT IS PROPRIETARY TO MOLEX ELECTRONIC TECHNOLOGIES, LLC AND SHOULD NOT BE USED WITHOUT WRITTEN PERMISSION		CURRENT REV DESC: REMASTERED IN NX/ECTR		molex	
DIMENSION UNITS	SCALE	EC NO: 645378			
mm	NTS	DRWN: SCV 2020/09/10		CUSTOMER	
GENERAL TOLERANCES (UNLESS SPECIFIED)		CHK'D: MRAMAKRISHNA 2020/09/15		PRODUCT CUSTOMER DRAWING	
ANGULAR TOL ± 3.0°		APPR: MRAMAKRISHNA 2020/09/15		DOCUMENT NUMBER	
4 PLACES ±		INITIAL REVISION:		SD-87858-001	
3 PLACES ±		DRWN: KSEE 2003/12/14		DOC TYPE	
2 PLACES ± 0.2		APPR: PTLIM 2003/12/15		PSD	
1 PLACE ±				DOC PART	
0 PLACES ±				001	
DRAFT WHERE APPLICABLE MUST REMAIN WITHIN DIMENSIONS		THIRD ANGLE PROJECTION	DRAWING	SERIES	MATERIAL NUMBER
			A3-SIZE	87858	SEE TABLE
					CUSTOMER
					GENERAL MARKET
					SHEET NUMBER
					3 OF 3