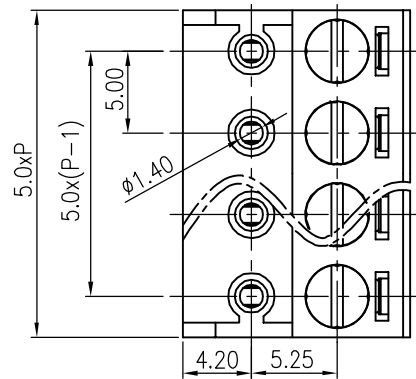


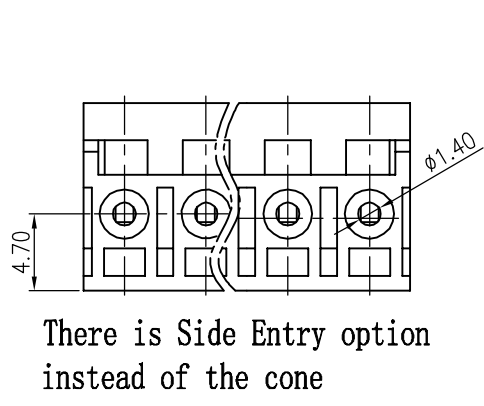
REVISION RECORD				
REV	ECO	DESCRIPTION	DRFT	DATE
△		接线孔大小 2.3→2.5	LIN	07/12/07*
△		料号变更	LIN	07/21/07*
△		品名、料号增加环保标示“(H)”	CSX	12/10/07*
△		增加刻字说明	LJH	01/14/08*



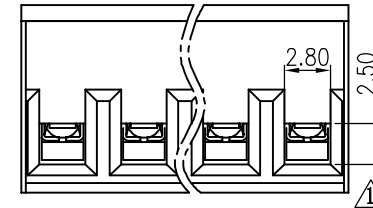
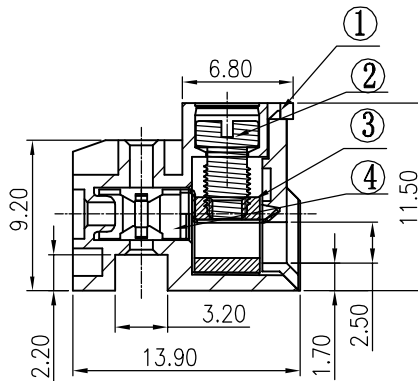
Notes:

1. Pitch: 5.0mm, Poles: 2-12P
2. Rated voltage/current: UL 300V/10A
IEC 250V/17.5A
3. Operation temperatures: -40°C~+105°C
4. Withstanding Voltage: AC2000V/1Min
5. Insulation Resistance: 5000MΩ/DC1000V
6. Wire Range: 30~16AWG, 1.5mm²
7. Max. Torque Value: M2.5, 4.08kgf.cm
8. Undimensioned Tolerances:

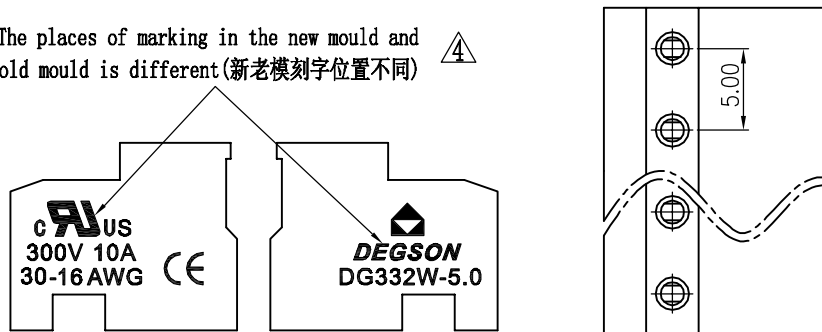
Pitch range in mm		Nominal dimension range in mm						
to	from	over 6 to 10	over 10 to 24	over 30 to 60	over 60 to 100	over 100 to 150	over 150	
±0.10	±0.15	±0.25	±0.2	±0.3	±0.5	±0.7	±1.0	
							0.05/10	



There is Side Entry option instead of the cone



The places of marking in the new mould and old mould is different (新老模刻字位置不同) △



ITEM	NAME OF PART	NO. OF PART	Q'TY	MATERIAL	NOTES
4	DG332W-00A-Clamp	X00001260 (H)	XX	Phosphor bronze	SnCe
3	DG332W-Cage	X00001030 (H)	XX	Brass	Ni plated
2	DG332W-Screw	S00001030 (H)	XX	Steel	Cr ³⁺ Zn
1	DG332W-00A-Housing	4075A0YXXA (H) △	1	PA66	UL94V-0

DFTO Alon DATE 02/21/06* CHKD DATE TOLERANCES EXCEPT AS NOTED MFO DATE APPVL DATE		宁波高正电子有限公司 DEGSON® DEGSON ELECTRONICS CO., LTD	
MM (INCH) .0 ± ± .00 ± ± .000 ± ±		NAME DG332W-5.0-XXP-1Y-00A(H)	
ANGLES ± 1° G.E : FINISH : SCALE : 1:1		DRAWING NO. DG332W-5.0-E03 /PART NO. SIZE A3 REV T4 01/14/08*	
THIRD ANGLE PROJECTION		DO NOT SCALE DRAWING SHEET 1 OF 1	