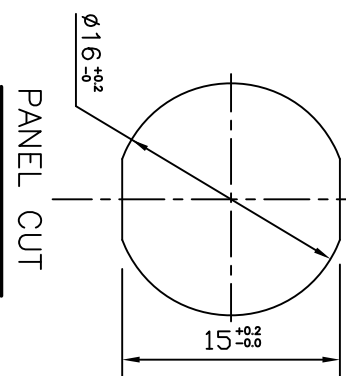
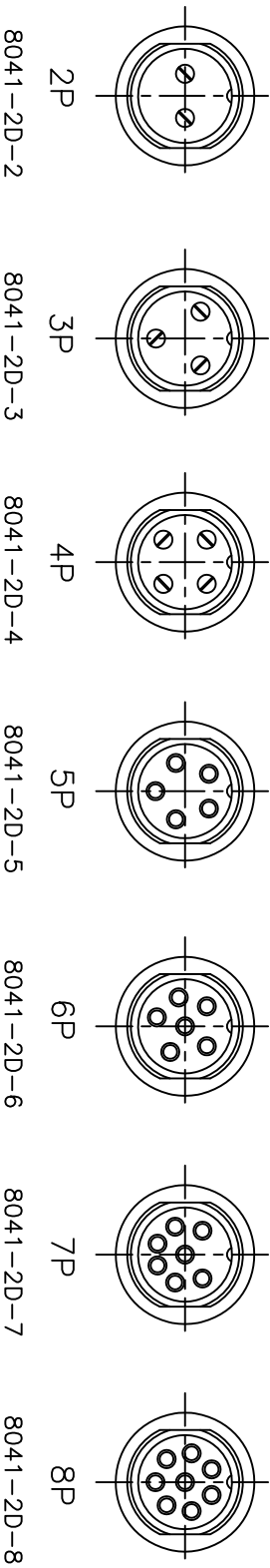
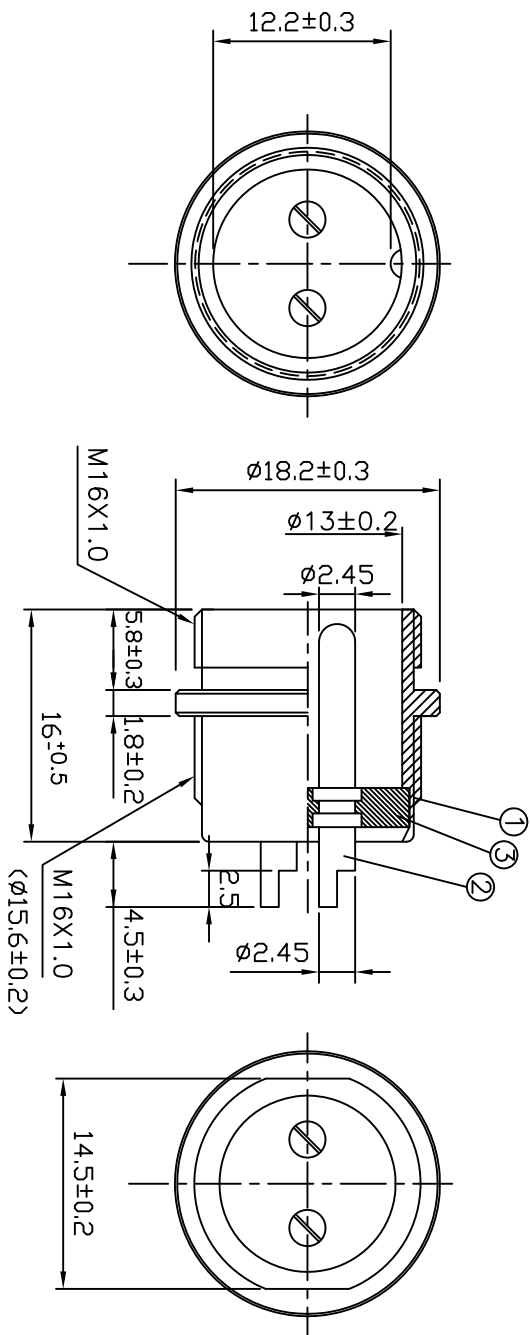


8041-2D-2: 雙切面, NUT鎖下面

ROHS



CHARACTERISTIC Of Electric	
Withstand Voltage	AC 1000V
Insulation Resistance	100MΩ MIN
Rating	5A 125V/250V
Current	5A

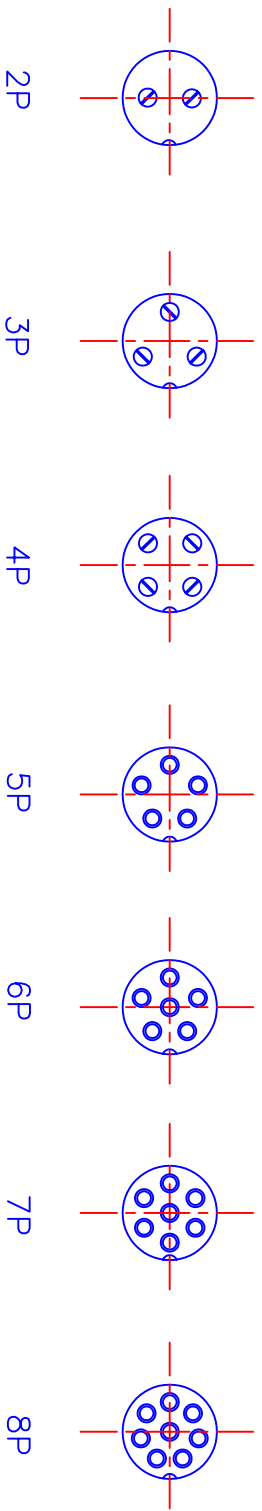
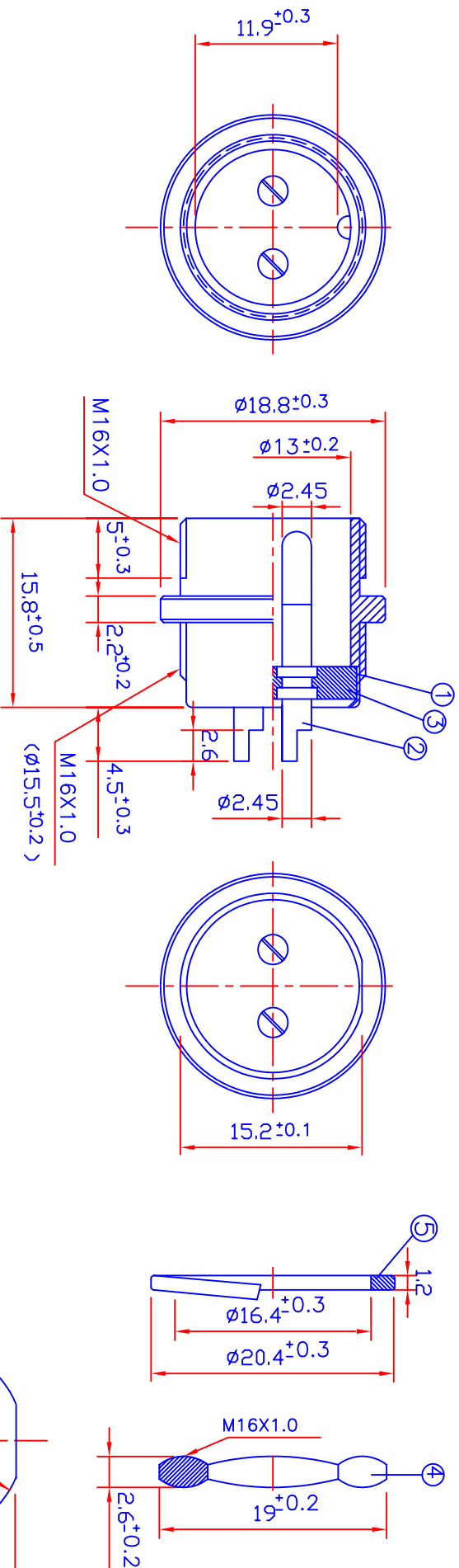
5	WASHER	1	SPC	NI				
4	NUT	1	BRASS	NI				
3	FIXED HOUSING	1	BAKELITE	BLACK				
2	SHAFT	2	BsBM	NI				
1	HOUSING	1	ZINC ALLOY	NI				
NO.	DESCRIPTION	QTY	MATERIAL	SPECIFICATION	SGS	REMARK		
DRAW BY	CHUN	1215110	SCALE	2 : 1		ITEM NO.	8041-2D-2	
DEGN BY	YANG		MM			TITLE	MIC CONNECTOR	
APPD BY	RAY		UNIT			DWG NO.	8041-2D-2-CN36-A1	

同利企業有限公司

TELE LONG ENTERPRISE CO.,LTD  
FAX. 886-6-2530232

E-mail: rayyang@seed.net.tw

DATE	DRAWG BY	REVISED
		△



PANEL CUT

CHARACTERISTIC Of Electric	
Withstand Voltage	AC 1000V
Insulation Resistance	100MΩ MIN
Rating	5A 125V/250V
Current	5A

UNLESS OTHERWISE SPECIFIED  
GENERAL TOLERANCES  
0.5~6 = ±0.2  
>6~30 = ±0.4  
>30~120 = ±0.6

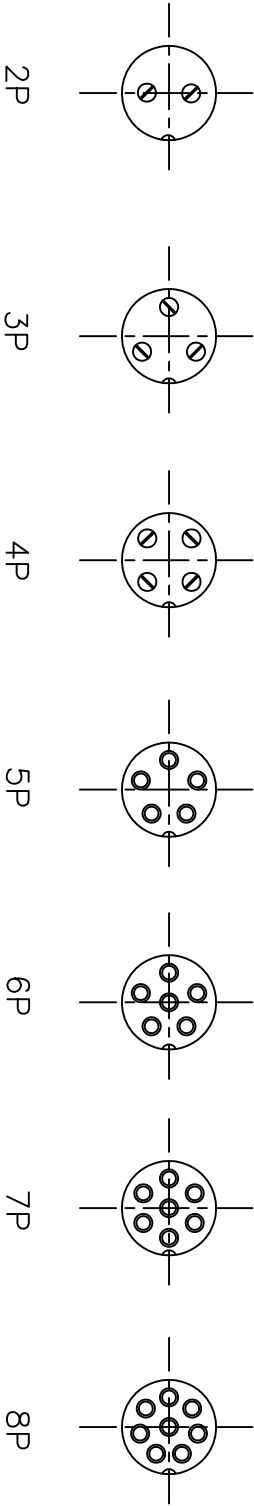
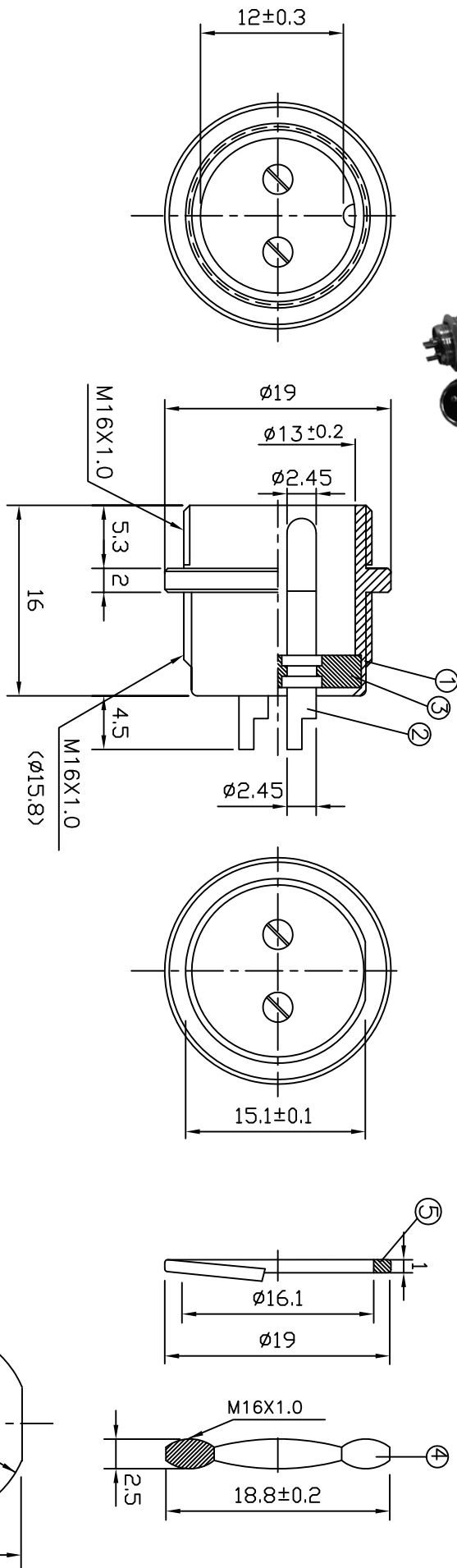
5	WASHER	1	SPC	NI			
4	NUT	1	BRASS	NI			
3	FIXED HOUSING	1	BAKELITE	BLACK			
2	SHAFT	2	BsBM	NI			
1	HOUSING	1	ZINC ALLOY	NI			
NO.	DESCRIPTION	QTY	MATERIAL	TREAT	REMARK		
DRAW BY	周佩君	031808	SCALE	1 : 2	ITEM NO.	8041-2	
DEGN BY			UNIT	MM	PROJ		
APPD BY							

DATE	DRAWG BY	REVISED	△	同利企業有限公司	TELE LONG ENTERPRISE CO.,LTD	DRAWING NO.	8041-2-TN01-F
					TEL. 886-6-2530201		
					FAX. 886-6-2530232		

E-mail: rayyang@seed.net.tw

8041-LD: 單切面,有車床加工過

螺帽鎖下面



PANEL CUT

CHARACTERISTIC Of Electric	
Withstand Voltage	AC 1000V
Insulation Resistance	100MΩ MIN
Rating	5A 125V/250V
Current	5A

UNLESS OTHERWISE SPECIFIED  
GENERAL TOLERANCES  
0.5~6 = ±0.2  
>6~30 = ±0.4  
>30~120 = ±0.6

5	WASHER	1	SPC	NI				
4	NUT	1	BRASS	NI				
3	FIXED HOUSING	1	BAKELITE	BLACK				
2	SHAFT	2	BsBM	NI				
1	HOUSING	1	ZINC ALLOY	NI				
NO.	DESCRIPTION	QTY	MATERIAL	SPECIFICATION	TREAT	REMARK		
DRAW BY	CHUN	112410	SCALE	2 : 1			ITEM NO.	8041-LD
DEGN BY	YANG		UNIT	MM			TITLE	MIC CONNECTOR
APPD BY	RAY							

DATE	DRAWG BY	REVISED	△	同利企業有限公司	TELE LONG ENTERPRISE CO.,LTD	DWG NO.	8041-LD-CN36-A1
					TEL. 886-6-2530201		

E-mail:royang@seed.net.tw FAX. 886-6-2530232