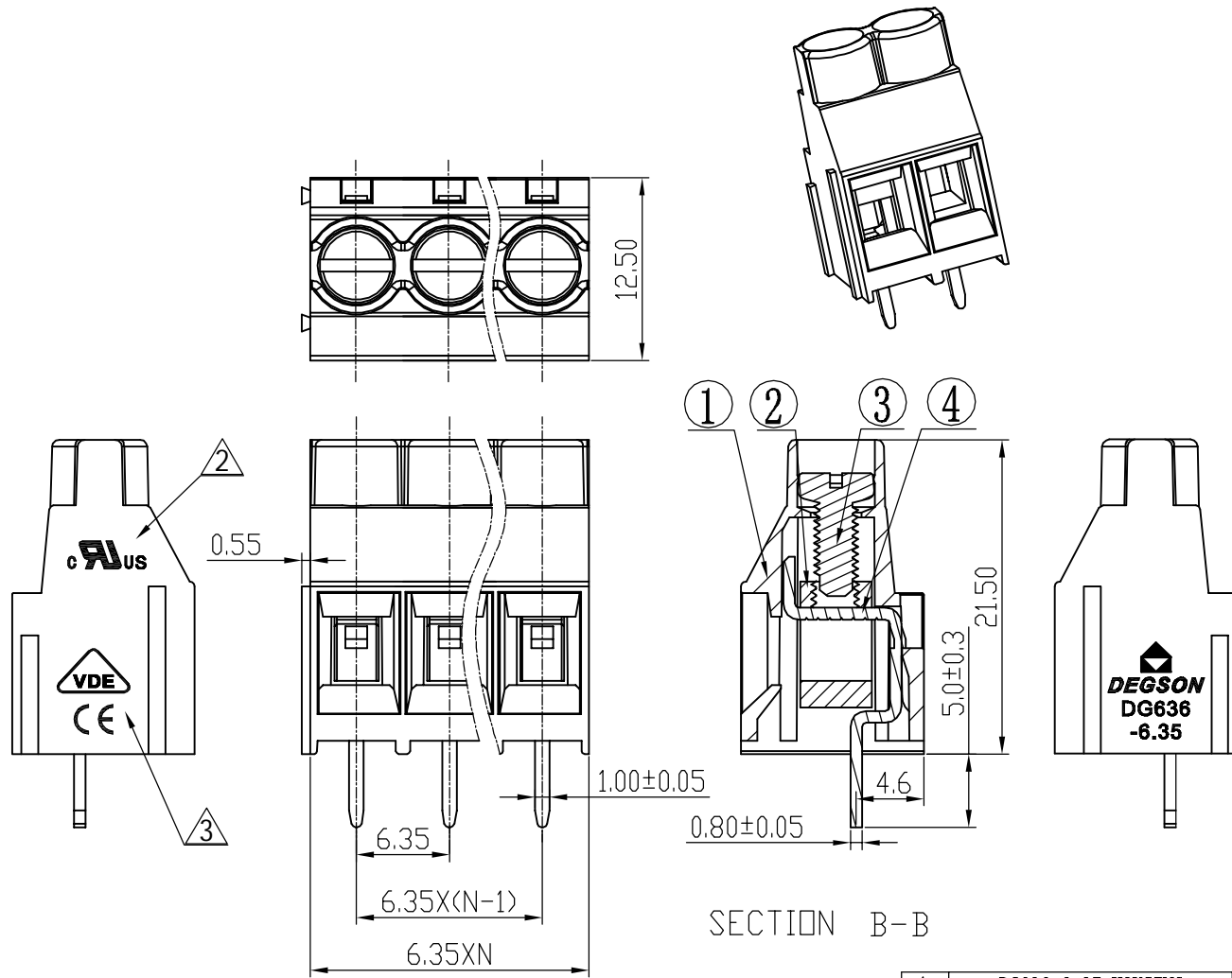


REVISION RECORD				
REV	ECO	DESCRIPTION	DRFT	DATE
△		Drawing revise	Haoyh	04/27/06
△		增加UL刻字	YeJ	09/12/06
△		增加VDE、CE标志	WLM	08/05/08

Notes:

1. Pitch: 6.35mm, Poles: 2-XXP
2. Rated voltage/current: UL 300V/30A  
VDE 450V/24A
3. Operation temperatures: -40°C ~ +105°C
4. Withstanding Voltage: AC2000V/1Min
5. Insulation Resistance: 5000MΩ / DC1000V
6. Wire Range: 26~10AWG, 4.0mm<sup>2</sup>
7. Max. Torque Value: M3, 5.1kgf.cm
8. Undimensioned Tolerances:

Pitch range in mm		Nominal dimension range in mm					—
to	over	over	over	over	over		
6	6 to 10	10 to 24	30 to 60	60 to 100	100 to 150	150	
±0.10	±0.15	±0.25	±0.2	±0.3	±0.5	±0.7 ± 1.0	0.05/0



SECTION B-B

4	DG636-Pin header	4044B00010(H)	XX	Brass	SnCe plated
3	DG636"-Screws	S000001590(H)	XX	Steel	Cr <sup>3+</sup> Zn
2	950 Brass cage	X000000310(H)	XX	Brass	Ni plated

ITEM	NAME OF PART	NO. OF PART	Q'TY	MATERIAL	NOTES
1	DG636-6.35 HOUSING	4044A0YXXA(H)	1	PA66	UL94V-0B

DFTO Haoyh CHKD DATE MFO DATE APPVL DATE	DATE 10/19/05* DATE DATE DATE	宁波高正电子有限公司 <b>DEGSON</b> <sup>®</sup> DEGSON ELECTRONICS CO., LTD NAME DG636-6.35-XXP-1Y-00A(H) DRAWING NO. DG636-6.35-E01 /PART NO. DO NOT SCALE DRAWING
TOLERANCES EXCEPT AS NOTED MM .0 ± ± .00 ± ± .000 ± ±		
ANGLES ± 1'		
THIRD ANGLE PROJECTION		
G.E. : FINISH : SCALE : 1:1		SIZE A3 REV T3 08/05/08* SHEET 1 OF 1