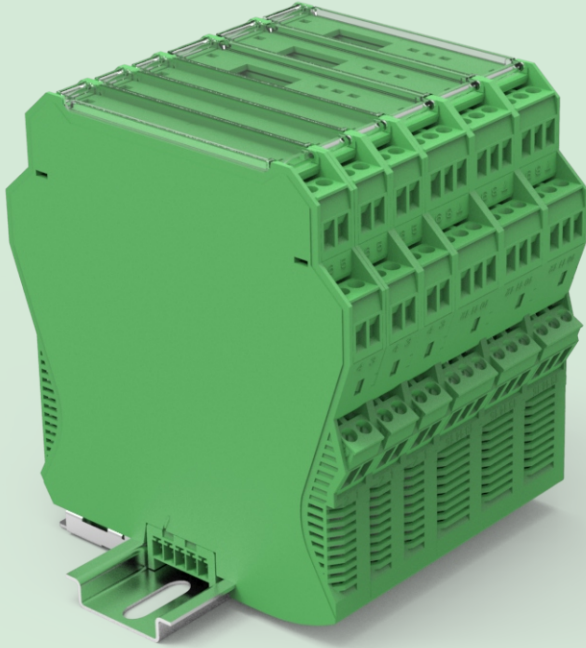
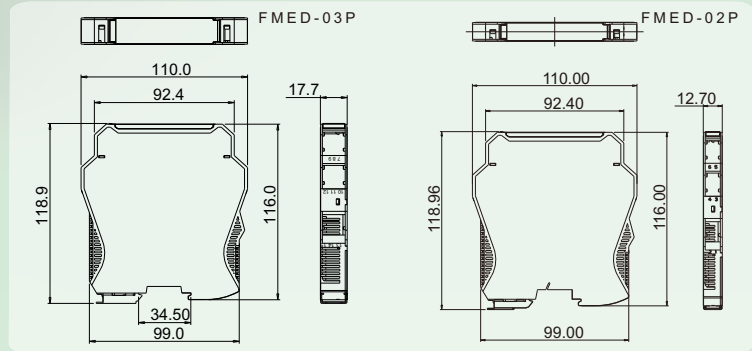


FMED-02P/FMED-03P



- 三进二出端子连接结构, 满足电路多样化需求;
 - 快速度卡接, 操作方便;
 - PC材质, 保障产品抗变形能力;
 - 轨道固定方式, 安装方便;
 - 同行专利问题, 禁销欧盟与美国;
- Three in two out connect structure . meet circuit various requirement.
 - Easy using with K-bus , easy operation.
 - PC housing material . sure the anti-distortion performance.
 - Din-rail fixed type , easy fixing.
 - Patent problems , ban selling to EU and USA



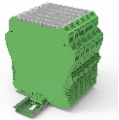
技术参数 Technical Data

APPROVAL: CE

型号 Model	线径 Wire range	线数 Poles	IEC61984技术参数(IEC61984 datasheet)				UI1059技术参数(UL1059 datasheet)			
			电压(V)	Rated voltage	电流(A)	Rated current	电压(V)	Rated voltage	电流(A)	Rated current
FMED-02P	-	02P	-	-	-	-	-	-	-	
FMED-03P	-	03P	-	-	-	-	-	-	-	

应用行业 Application

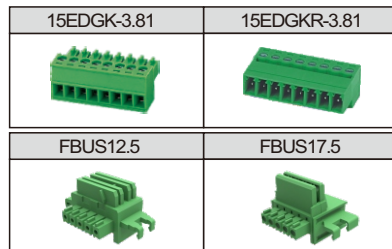
仪器仪表行业。
instrument etc.



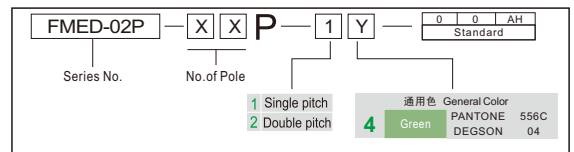
产品包装方式 Packing

Product model	Pcs./Pkt.
FMED-02P	10
FMED-03P	10

附件 Accessory



产品订货 How to order



产品订货 How to order

