

GENERAL DESCRIPTION

The SGM706B microprocessor supervisory circuit reduces the complexity and number of components required to monitor power supply and monitor microprocessor activity. It significantly improves system reliability and accuracy compared to separate ICs or discrete components.

The SGM706B provides power supply monitoring circuitry that generates a reset output during power-up, power-down and brownout conditions. The reset output remains operational with V_{CC} as low as 1V. Independent watchdog monitoring circuitry is also provided. This is activated if the watchdog input has not been toggled within 1.6 seconds.

In addition, there is a 1.25V threshold detector for power-fail warning, low-battery detection, or monitoring an additional power supply. An active-low manual reset input (nMR) is also included.

The SGM706B is available in Green UTDFN-1.5×1.5-8L, SOIC-8 and MSOP-8 packages. It operates over an ambient temperature range of -40°C to +125°C.

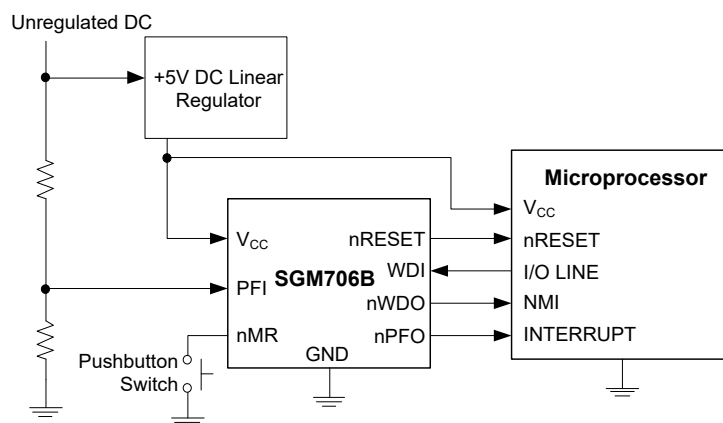
FEATURES

- **Ultra-Low Supply Current:** < 1 μ A (TYP)
- **Precision Supply-Voltage Monitor**
 - 4.63V for SGM706B-L
 - 4.38V for SGM706B-M
 - 4.0V for SGM706B-J
 - 3.08V for SGM706B-T
 - 2.93V for SGM706B-S
 - 2.63V for SGM706B-R
- **Guaranteed nRESET Valid at $V_{CC} = 1V$**
- **200ms Reset Pulse Width**
- **Debounced TTL/CMOS-Compatible**
- **Manual Reset Input**
- **Independent Watchdog Timer (1.6s) Timeout**
- **Voltage Monitor for Power-Fail or Low-Battery Warning**
- **-40°C to +125°C Operating Temperature Range**
- **Available in Green UTDFN-1.5×1.5-8L, SOIC-8 and MSOP-8 Packages**

APPLICATIONS

- Computers
- Controllers
- Automotive Systems
- Critical μ P Power Monitoring

TYPICAL APPLICATION



PACKAGE/ORDERING INFORMATION

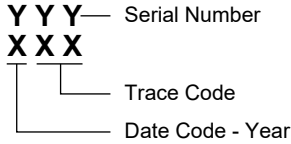
MODEL	RESET THRESHOLD (V)	PACKAGE DESCRIPTION	ORDERING NUMBER	PACKAGE MARKING	PACKING OPTION
SGM706B	4.63	UTDFN-1.5×1.5-8L	SGM706B-LXUDW8G/TR	CK0 XXX	Tape and Reel, 4000
	4.63	SOIC-8	SGM706B-LXS8G/TR	SGM 706BLXS8 XXXXX	Tape and Reel, 4000
	4.63	MSOP-8	SGM706B-LXMS8G/TR	SGM706BL XMS8 XXXXX	Tape and Reel, 4000
	4.38	UTDFN-1.5×1.5-8L	SGM706B-MXUDW8G/TR	CK1 XXX	Tape and Reel, 4000
	4.38	SOIC-8	SGM706B-MXS8G/TR	SGM 706BMXS8 XXXXX	Tape and Reel, 4000
	4.38	MSOP-8	SGM706B-MXMS8G/TR	SGM706BM XMS8 XXXXX	Tape and Reel, 4000
	4.0	UTDFN-1.5×1.5-8L	SGM706B-JXUDW8G/TR	CK2 XXX	Tape and Reel, 4000
	4.0	SOIC-8	SGM706B-JXS8G/TR	SGM 706BJXS8 XXXXX	Tape and Reel, 4000
	4.0	MSOP-8	SGM706B-JXMS8G/TR	SGM706BJ XMS8 XXXXX	Tape and Reel, 4000
	3.08	UTDFN-1.5×1.5-8L	SGM706B-TXUDW8G/TR	CG5 XXX	Tape and Reel, 4000
	3.08	SOIC-8	SGM706B-TXS8G/TR	SGM 706BTXS8 XXXXX	Tape and Reel, 4000
	3.08	MSOP-8	SGM706B-TXMS8G/TR	SGM706BT XMS8 XXXXX	Tape and Reel, 4000
	2.93	UTDFN-1.5×1.5-8L	SGM706B-SXUDW8G/TR	CBE XXX	Tape and Reel, 4000
	2.93	SOIC-8	SGM706B-SXS8G/TR	SGM 706BSXS8 XXXXX	Tape and Reel, 4000
	2.93	MSOP-8	SGM706B-SXMS8G/TR	SGM706BS XMS8 XXXXX	Tape and Reel, 4000
	2.63	UTDFN-1.5×1.5-8L	SGM706B-RXUDW8G/TR	CG4 XXX	Tape and Reel, 4000
	2.63	SOIC-8	SGM706B-RXS8G/TR	SGM 706BRXS8 XXXXX	Tape and Reel, 4000
	2.63	MSOP-8	SGM706B-RXMS8G/TR	SGM706BR XMS8 XXXXX	Tape and Reel, 4000

PACKAGE/ORDERING INFORMATION (continued)

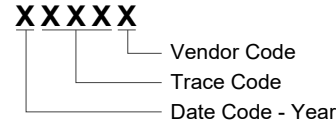
MARKING INFORMATION

NOTE: XXX = Date Code and Trace Code. XXXXX = Date Code, Trace Code and Vendor Code.

UTDFN-1.5x1.5-8L



SOIC-8/MSOP-8



Green (RoHS & HSF): SG Micro Corp defines "Green" to mean Pb-Free (RoHS compatible) and free of halogen substances. If you have additional comments or questions, please contact your SGMICRO representative directly.

ABSOLUTE MAXIMUM RATINGS

Terminal Voltage (With Respect to GND)

V_{CC} -0.3V to 6.0V
 All Other Inputs -0.3V to (V_{CC} + 0.3V)

Input Current

V_{CC} 20mA
 GND 20mA

Output Current

All Outputs..... 20mA

Package Thermal Resistance

UTDFN-1.5x1.5-8L, θ_{JA} 131°C/W
 SOIC-8, θ_{JA} 145°C/W
 MSOP-8, θ_{JA} 190°C/W

Junction Temperature +150°C
 Storage Temperature Range -65°C to +150°C
 Lead Temperature (Soldering, 10s) +260°C

ESD Susceptibility

HBM 4000V
 MM 400V
 CDM 1000V

OVERSTRESS CAUTION

Stresses beyond those listed in Absolute Maximum Ratings may cause permanent damage to the device. Exposure to absolute maximum rating conditions for extended periods may affect reliability. Functional operation of the device at any conditions beyond those indicated in the Recommended Operating Conditions section is not implied.

ESD SENSITIVITY CAUTION

This integrated circuit can be damaged if ESD protections are not considered carefully. SGMICRO recommends that all integrated circuits be handled with appropriate precautions. Failure to observe proper handling and installation procedures can cause damage. ESD damage can range from subtle performance degradation to complete device failure. Precision integrated circuits may be more susceptible to damage because even small parametric changes could cause the device not to meet the published specifications.

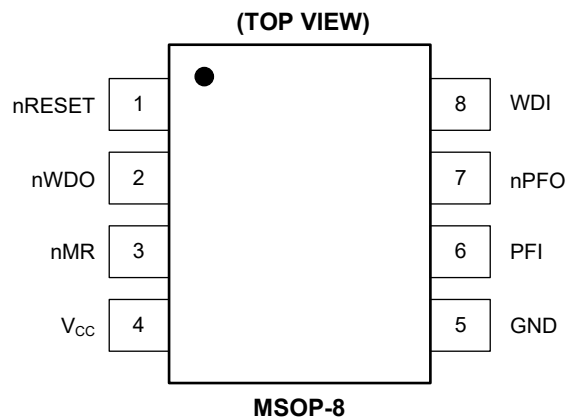
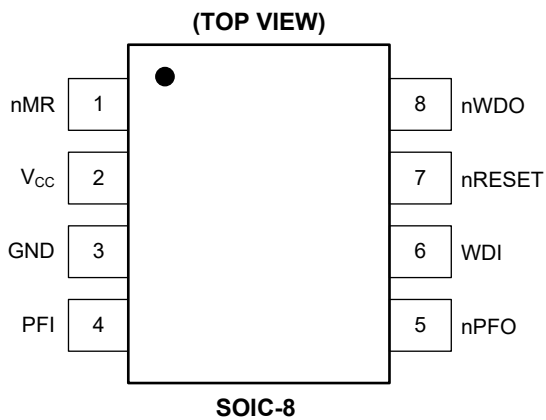
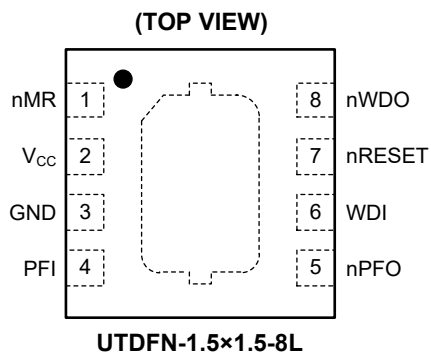
DISCLAIMER

SG Micro Corp reserves the right to make any change in circuit design, or specifications without prior notice.

RECOMMENDED OPERATING CONDITIONS

Ambient Temperature Range -40°C to +125°C

PIN CONFIGURATIONS



PIN DESCRIPTION

PIN			NAME	FUNCTION
UTDFN-1.5×1.5-8L	SOIC-8	MSOP-8		
1	1	3	nMR	Manual Reset Input Pin. Manual reset input triggers a reset pulse when pulled below 0.8V. This active-low input has an internal 234 μ A ($V_{CC} = +5V$) pull-up current. It can be driven from a TTL or CMOS logic line as well as shorted to ground with a switch.
2	2	4	V_{CC}	Power Supply Voltage. Power supply voltage that is monitored.
3	3	5	GND	Ground. 0V ground reference for all signals.
4	4	6	PFI	Power-Fail Voltage Monitor Input Pin. When PFI is less than 1.25V, nPFO goes low. Connect PFI to GND or V_{CC} when not used.
5	5	7	nPFO	Power-Fail Output Pin. Power-fail output goes low and sinks current when PFI is less than 1.25V; otherwise nPFO stays high.
6	6	8	WDI	Watchdog Input Pin. If WDI remains high or low for 1.6s, the internal watchdog timer runs out and nWDO goes low. Floating WDI or connecting WDI to a high-impedance three-state buffer disables the watchdog feature. The internal watchdog timer clears whenever reset is asserted, WDI is three-stated, or WDI sees a rising or falling edge.
7	7	1	nRESET	Reset Pin. Active-low reset output pulses low for 200ms when triggered, and stays low whenever V_{CC} is below the reset threshold (4.63V for SGM706B-L, 4.38V for SGM706B-M, 4.0V for SGM706B-J, 3.08V for SGM706B-T and 2.93V for SGM706B-S, 2.63V for SGM706B-R). It remains low for 200ms after V_{CC} rises above the reset threshold or nMR goes from low to high. A watchdog timeout will not trigger nRESET unless nWDO is connected to nMR.
8	8	2	nWDO	Watchdog Output Pin. Watchdog output pulls low when the internal watchdog timer finishes its 1.6sec count and does not go high again until the watchdog is cleared. nWDO also goes low during low-line conditions. Whenever V_{CC} is below the reset threshold, nWDO stays low; however, unlike nRESET, nWDO does not have a minimum pulse width. As soon as V_{CC} rises above the reset threshold, nWDO goes high with no delay.
Exposed Pad	—	—	—	The exposed pad can be left floating.

ELECTRICAL CHARACTERISTICS

($T_A = +25^\circ\text{C}$, $V_{CC} = 4.72\text{V}$ to 5.5V for SGM706B-L; $V_{CC} = 4.47\text{V}$ to 5.5V for SGM706B-M; $V_{CC} = 4.08\text{V}$ to 5.5V for SGM706B-J; $V_{CC} = 3.15\text{V}$ to 5.5V for SGM706B-T; $V_{CC} = 2.99\text{V}$ to 5.5V for SGM706B-S; $V_{CC} = 2.69\text{V}$ to 5.5V for SGM706B-R, Full = -40°C to $+125^\circ\text{C}$, unless otherwise noted.)

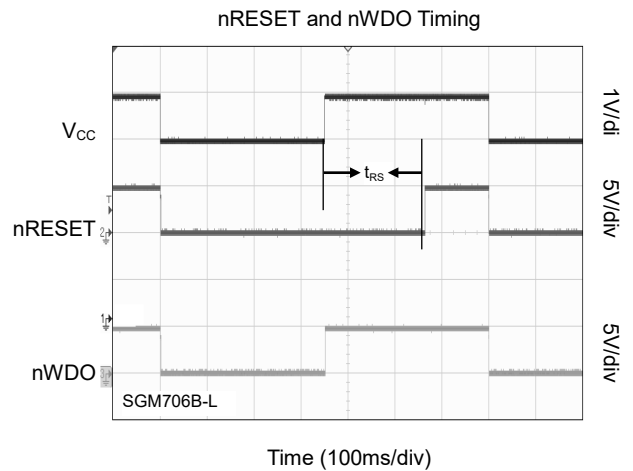
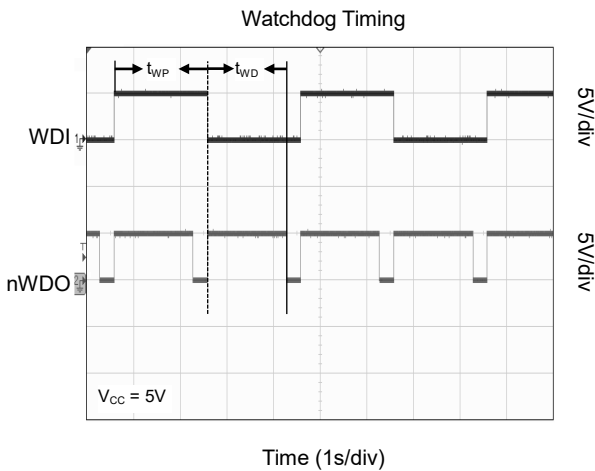
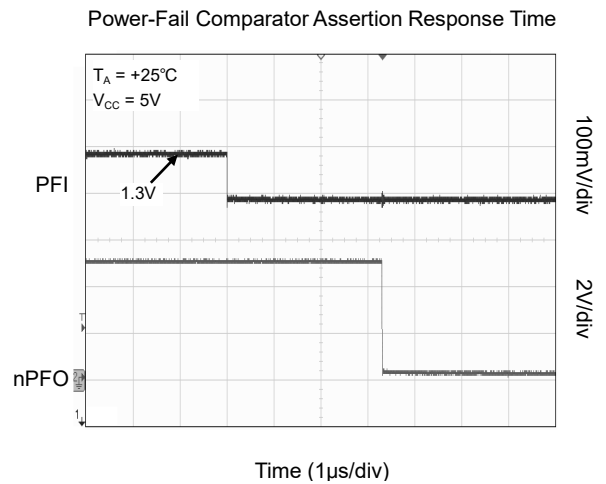
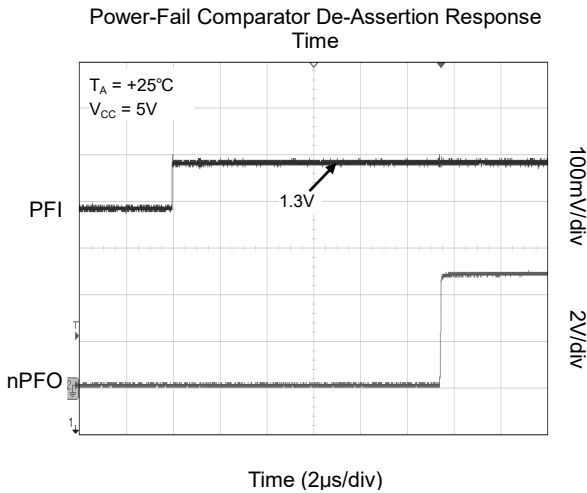
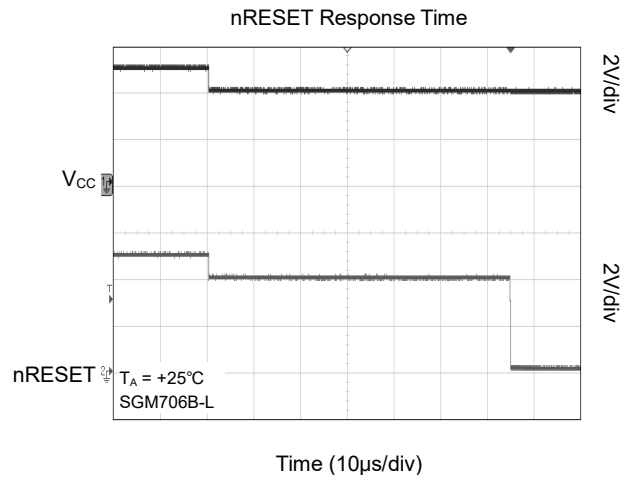
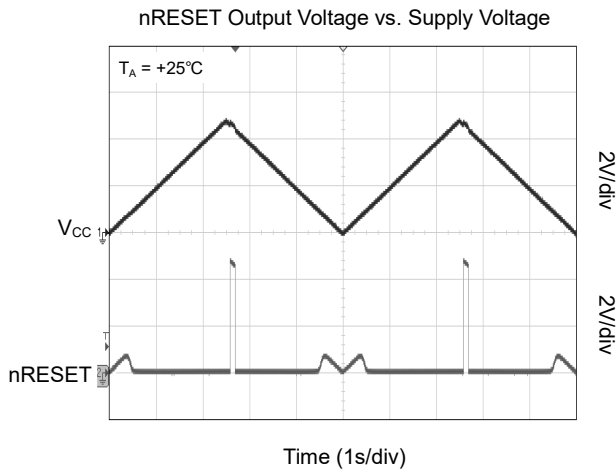
PARAMETER	CONDITIONS	TEMP	MIN	TYP	MAX	UNITS	
Operating Voltage Range (V_{CC})		Full	1.0		5.5	V	
Supply Current (I_{SUPPLY})	$V_{CC} = 3.6\text{V}$	Full		0.6	1.2	μA	
	$V_{CC} = 5.5\text{V}$	Full		0.8	1.5	μA	
nRESET Threshold (V_{nRST})	SGM706B-L	$+25^\circ\text{C}$	4.55	4.63	4.70	V	
		Full	4.52	4.63	4.72		
	SGM706B-M	$+25^\circ\text{C}$	4.30	4.38	4.45		
		Full	4.28	4.38	4.47		
	SGM706B-J	$+25^\circ\text{C}$	3.93	4.0	4.07		
		Full	3.92	4.0	4.08		
	SGM706B-T	$+25^\circ\text{C}$	3.03	3.08	3.14		
		Full	3.02	3.08	3.15		
	SGM706B-S	$+25^\circ\text{C}$	2.88	2.93	2.98		
		Full	2.87	2.93	2.99		
	SGM706B-R	$+25^\circ\text{C}$	2.58	2.63	2.68		
		Full	2.57	2.63	2.69		
nRESET Threshold Hysteresis	SGM706B-L	$+25^\circ\text{C}$		20		mV	
	SGM706B-M	$+25^\circ\text{C}$		19			
	SGM706B-J	$+25^\circ\text{C}$		17			
	SGM706B-T	$+25^\circ\text{C}$		13			
	SGM706B-S	$+25^\circ\text{C}$		13			
	SGM706B-R	$+25^\circ\text{C}$		11			
nRESET Threshold Temperature Coefficient		Full		20		ppm/ $^\circ\text{C}$	
nRESET Pulse Width (t_{RS})		Full	140	200	290	ms	
nRESET Output Voltage	$I_{SOURCE} = 800\mu\text{A}$	Full	$V_{CC} - 1.5$			V	
	$I_{SINK} = 3.2\text{mA}$	Full			0.4		
	$V_{CC} = 1\text{V}$, $I_{SINK} = 50\mu\text{A}$	Full			0.3		
Watchdog Timeout Period (t_{WD})		Full	1.1	1.6	2.4	s	
WDI Pulse Width (t_{WP})	$V_{IL} = 0\text{V}$, $V_{IH} = V_{CC}$	Full	90			ns	
WDI Input Threshold	Low	$V_{CC} = 5\text{V}$	Full		0.8	V	
	High	$V_{CC} = 5\text{V}$	Full	3.5			
	Low	$V_{nRST(MAX)} < V_{CC} < 3.6\text{V}$	Full		0.8		
	High	$V_{nRST(MAX)} < V_{CC} < 3.6\text{V}$	Full	$0.7 \times V_{CC}$			
WDI Input Current	WDI = V_{CC}	UTDFN-1.5 \times 1.5-8L only	Full		0.01	1.2	μA
		Other packages	Full		0.01	1.0	
	WDI = 0V	Full	-1.0	-0.01			
nWDO Output Voltage	$I_{SOURCE} = 800\mu\text{A}$	Full	$V_{CC} - 1.5$			V	
	$I_{SINK} = 1.2\text{mA}$	Full			0.2		

ELECTRICAL CHARACTERISTICS (continued)

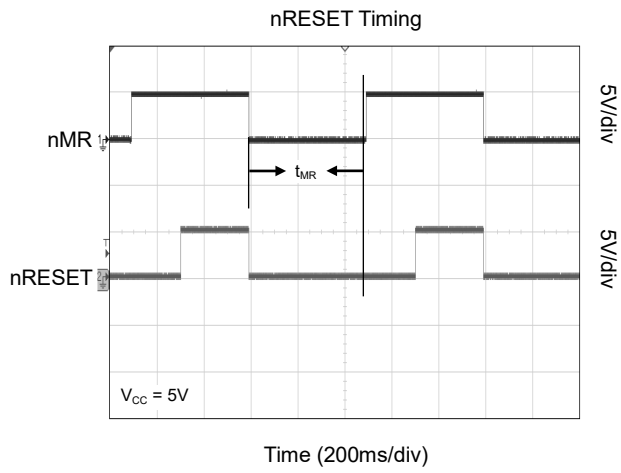
($T_A = +25^\circ\text{C}$, $V_{CC} = 4.72\text{V}$ to 5.5V for SGM706B-L; $V_{CC} = 4.47\text{V}$ to 5.5V for SGM706B-M; $V_{CC} = 4.08\text{V}$ to 5.5V for SGM706B-J; $V_{CC} = 3.15\text{V}$ to 5.5V for SGM706B-T; $V_{CC} = 2.99\text{V}$ to 5.5V for SGM706B-S; $V_{CC} = 2.69\text{V}$ to 5.5V for SGM706B-R, Full = -40°C to $+125^\circ\text{C}$, unless otherwise noted.)

PARAMETER	CONDITIONS		TEMP	MIN	TYP	MAX	UNITS
nMR Pull-Up Current	nMR = 0V, $V_{CC} = 5\text{V}$		Full	100		300	μA
nMR Pulse Width (t_{MR})			Full	300			ns
nMR Input Threshold	Low		Full			0.8	V
	High		Full	2			
nMR to nRESET Out Delay (t_{MD})			Full			420	ns
PFI Input Threshold	$V_{CC} = 5\text{V}$	UTDFN-1.5×1.5-8L only	Full	1.20	1.25	1.30	V
		Other packages	Full	1.21	1.25	1.29	V
PFI Input Current			Full		0.2	50	nA
nPFO Output Voltage	$I_{SOURCE} = 800\mu\text{A}$		Full	$V_{CC} - 1.5$			V
	$I_{SINK} = 3.2\text{mA}$		Full			0.3	

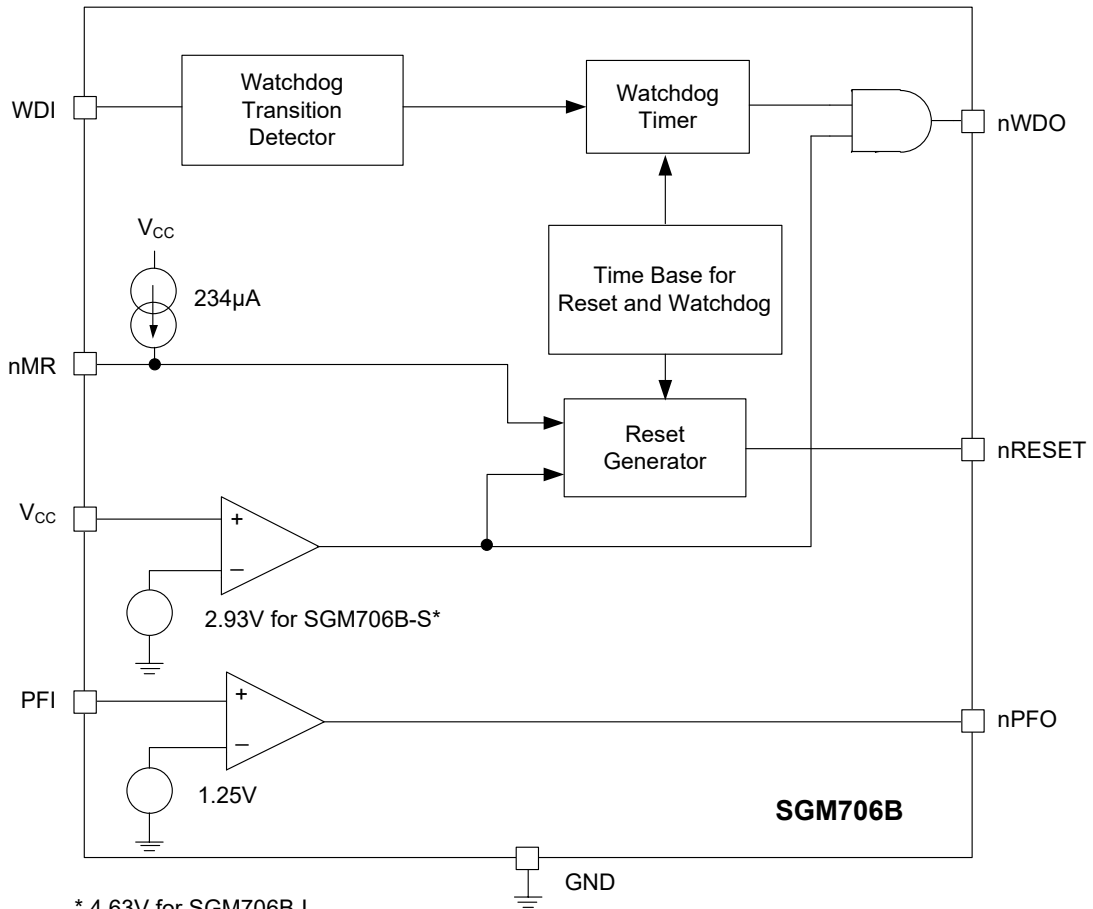
TYPICAL PERFORMANCE CHARACTERISTICS



TYPICAL PERFORMANCE CHARACTERISTICS (continued)



FUNCTIONAL BLOCK DIAGRAM



- * 4.63V for SGM706B-L
- 4.38V for SGM706B-M
- 4.0V for SGM706B-J
- 3.08V for SGM706B-T
- 2.93V for SGM706B-S
- 2.63V for SGM706B-R

APPLICATION NOTES

Ensuring a Valid nRESET Output Down to V_{CC} = 0V

When V_{CC} falls below 1V, the SGM706B nRESET output no longer sinks current, and it becomes an open circuit. High-impedance CMOS logic inputs can drift to undetermined voltages if left undriven. If a pull-down resistor is added to the nRESET pin as shown in Figure 1, any stray charge or leakage currents will be drained to ground, holding nRESET low. Resistor value (R1) is not critical. It should be about 100kΩ, large enough not to load nRESET and small enough to pull nRESET to ground.

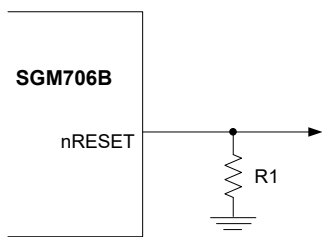


Figure 1. nRESET Valid to Ground Circuit

Monitoring Voltages Other Than the Unregulated DC Input

Monitor voltages other than the unregulated DC by connecting a voltage divider to PFI and adjusting the ratio appropriately. If required, add hysteresis by connecting a resistor (with a value approximately 10 times the sum of the two resistors in the potential divider network) between PFI and nPFO. A capacitor between PFI and GND will reduce the power-fail circuit's sensitivity to high-frequency noise on the line being monitored. nRESET can be asserted on other voltages in addition to the +5V V_{CC} line. Connect nPFO to nMR to initiate an nRESET pulse when PFI drops below 1.25V. Figure 2 shows the SGM706B configured to assert nRESET when the +5V supply falls below the reset threshold, or when the +12V supply falls below approximately 11V.

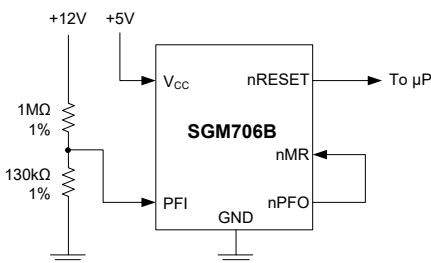


Figure 2. Monitoring Both +5V and +12V

Monitoring a Negative Voltage

The power-fail comparator can also monitor a negative supply rail (Figure 3). When the negative rail is good (a negative voltage of large magnitude), nPFO is low, and when the negative rail is degraded (a negative voltage of lesser magnitude), nPFO is high. By adding the resistors and transistor as shown, a high nPFO triggers reset. As long as nPFO remains high, the SGM706B will keep reset asserted (nRESET = low). Note that this circuit's accuracy depends on the PFI threshold tolerance, the V_{CC} line, and the resistors.

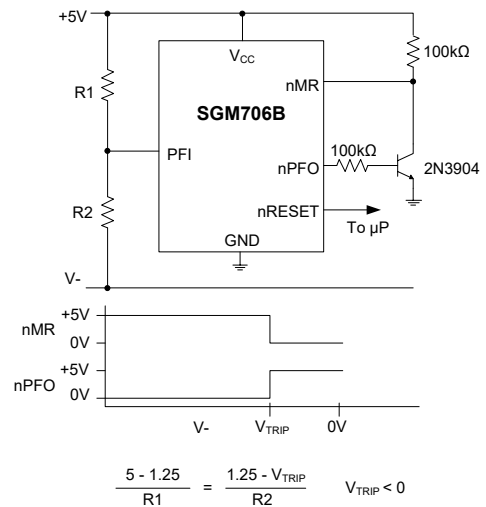


Figure 3. Monitoring a Negative Voltage

Interfacing to μPs with Bidirectional Reset Pins

μPs with bidirectional reset pins, such as the Motorola 68HC11 series, can contend with the SGM706B nRESET output. If, for example, the nRESET output is driven high and the microprocessor wants to pull it low, indeterminate logic levels may result. To correct this, connect a 4.7kΩ resistor between the nRESET output and the μP reset I/O, as show in Figure 4. Buffer the nRESET output to other system components.

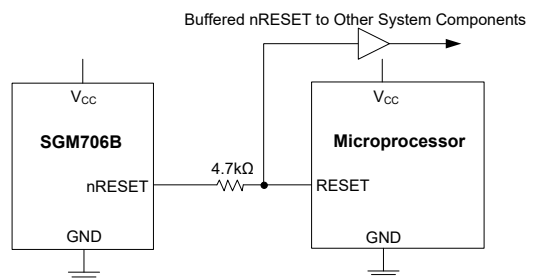


Figure 4. Interfacing to Microprocessors with Bidirectional Reset I/O

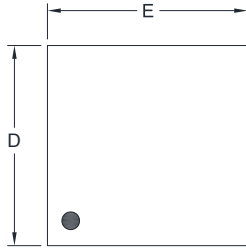
REVISION HISTORY

NOTE: Page numbers for previous revisions may differ from page numbers in the current version.

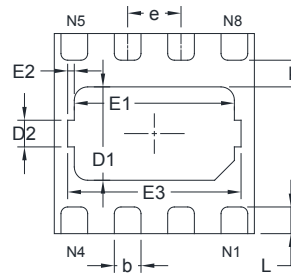
	Page
<hr/>	
JUNE 2020 – REV.A to REV.A.1	
Added UTDFN-1.5×1.5-8L Package	All
<hr/>	
Changes from Original (DECEMBER 2018) to REV.A	
Changed from product preview to production data.....	All
<hr/>	

PACKAGE OUTLINE DIMENSIONS

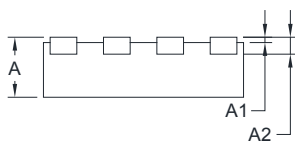
UTDFN-1.5×1.5-8L



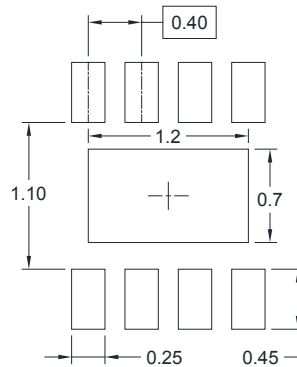
TOP VIEW



BOTTOM VIEW



SIDE VIEW

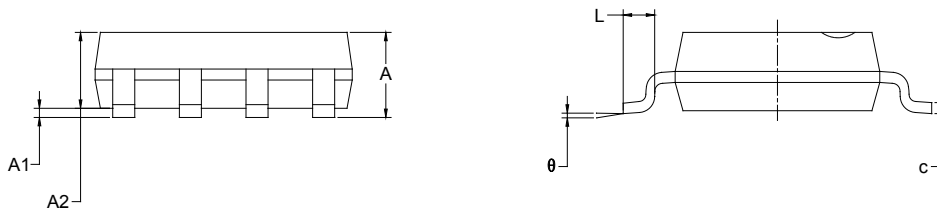
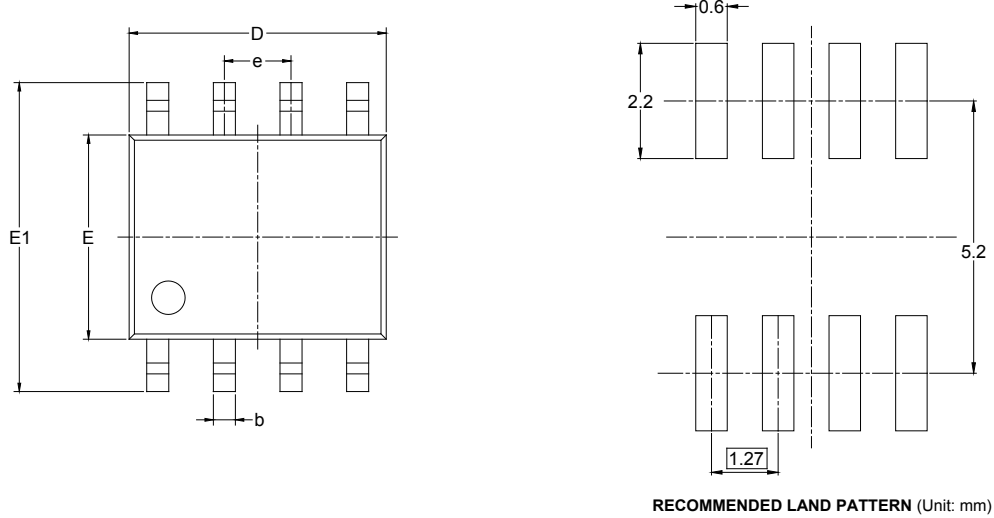


RECOMMENDED LAND PATTERN (Unit: mm)

Symbol	Dimensions In Millimeters		Dimensions In Inches	
	MIN	MAX	MIN	MAX
A	0.400	0.500	0.016	0.020
A1	0.000	0.050	0.000	0.002
A2	0.127 REF		0.005 REF	
D	1.450	1.550	0.057	0.061
D1	0.600	0.800	0.024	0.031
D2	0.200 REF		0.008 REF	
E	1.450	1.550	0.057	0.061
E1	1.100	1.300	0.043	0.051
E2	0.050 REF		0.002 REF	
E3	1.200	1.400	0.047	0.055
k	0.200 REF		0.008 REF	
b	0.150	0.250	0.006	0.010
e	0.400 BSC		0.016 BSC	
L	0.150	0.250	0.006	0.010

PACKAGE OUTLINE DIMENSIONS

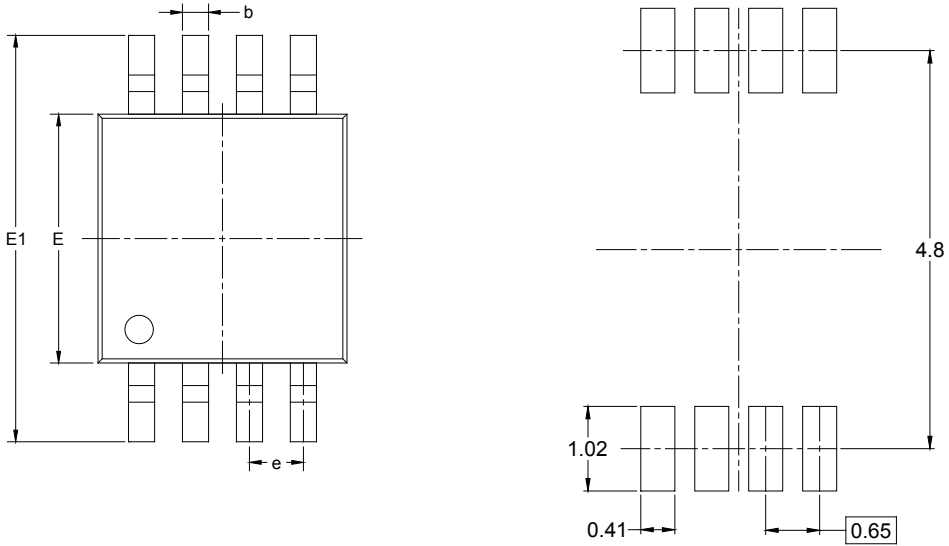
SOIC-8



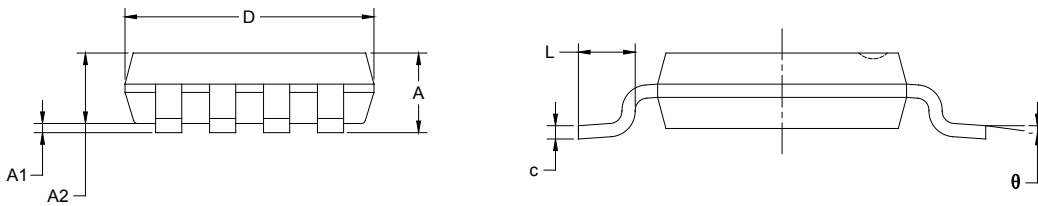
Symbol	Dimensions In Millimeters		Dimensions In Inches	
	MIN	MAX	MIN	MAX
A	1.350	1.750	0.053	0.069
A1	0.100	0.250	0.004	0.010
A2	1.350	1.550	0.053	0.061
b	0.330	0.510	0.013	0.020
c	0.170	0.250	0.006	0.010
D	4.700	5.100	0.185	0.200
E	3.800	4.000	0.150	0.157
E1	5.800	6.200	0.228	0.244
e	1.27 BSC		0.050 BSC	
L	0.400	1.270	0.016	0.050
θ	0°	8°	0°	8°

PACKAGE OUTLINE DIMENSIONS

MSOP-8



RECOMMENDED LAND PATTERN (Unit: mm)



Symbol	Dimensions In Millimeters		Dimensions In Inches	
	MIN	MAX	MIN	MAX
A	0.820	1.100	0.032	0.043
A1	0.020	0.150	0.001	0.006
A2	0.750	0.950	0.030	0.037
b	0.250	0.380	0.010	0.015
c	0.090	0.230	0.004	0.009
D	2.900	3.100	0.114	0.122
E	2.900	3.100	0.114	0.122
E1	4.750	5.050	0.187	0.199
e	0.650 BSC		0.026 BSC	
L	0.400	0.800	0.016	0.031
θ	0°	6°	0°	6°

PACKAGE INFORMATION

TAPE AND REEL INFORMATION

REEL DIMENSIONS



TAPE DIMENSIONS



NOTE: The picture is only for reference. Please make the object as the standard.

KEY PARAMETER LIST OF TAPE AND REEL

Package Type	Reel Diameter	Reel Width W1 (mm)	A0 (mm)	B0 (mm)	K0 (mm)	P0 (mm)	P1 (mm)	P2 (mm)	W (mm)	Pin1 Quadrant
UTDFN-1.5×1.5-8L	7"	9.0	1.70	1.70	0.75	4.0	4.0	2.0	8.0	Q1
SOIC-8	13"	12.4	6.40	5.40	2.10	4.0	8.0	2.0	12.0	Q1
MSOP-8	13"	12.4	5.20	3.30	1.50	4.0	8.0	2.0	12.0	Q1

DD0001

PACKAGE INFORMATION

CARTON BOX DIMENSIONS



NOTE: The picture is only for reference. Please make the object as the standard.

KEY PARAMETER LIST OF CARTON BOX

Reel Type	Length (mm)	Width (mm)	Height (mm)	Pizza/Carton
7" (Option)	368	227	224	8
7"	442	410	224	18
13"	386	280	370	5

DD0002