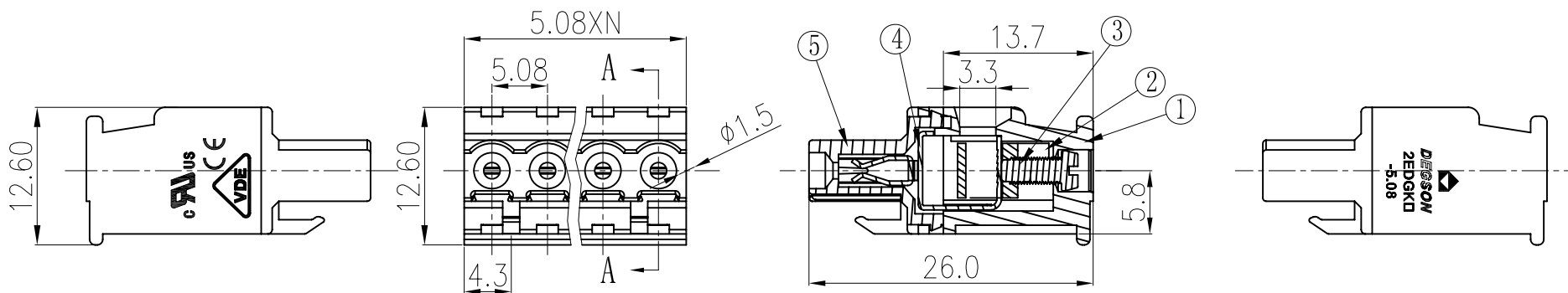
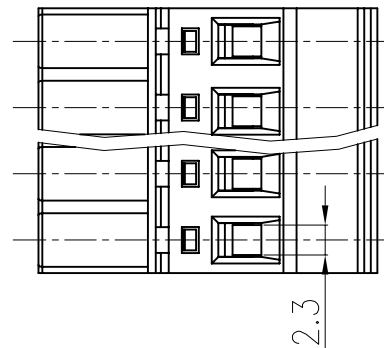
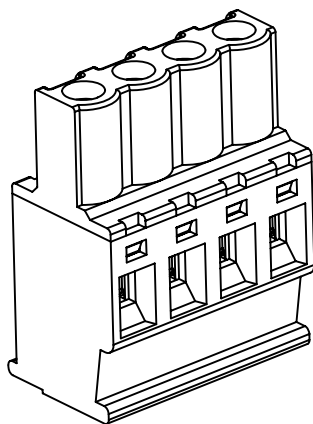


REVISION RECORD					
REV	ECO	DESCRIPTION	DRFT	DATE	
△		工程变更	CSX	11/30/06	
△		增加UL刻字	CSX	03/12/07	
△		增加VDE、CE刻字	WLM	02/11/09	



Section A-A

Notes:

1. Pitch:5.08mm ,Poles:2-24P
2. Rated voltage/current:UL 300V/15A  
VDE 320V/10A
3. Operation temperatures:-45°C~+105°C
4. Withstanding Voltage:AC2000V/1min
5. Insulation Resistance:5000Ω/DC1000V
6. Wire Range:28~12AWG, 2.5mm<sup>2</sup>
7. Max. Torque Value:M2.5, 4.08kgf.cm
8. Undimensioned Tolerances:

Pitch range in mm			Nominal dimension range in mm					
to 6	over 6 to 10	over 10 to 24	to 30	over 30 to 60	over 60 to 100	over 100 to 150	—	
±0.10	±0.15	±0.25	±0.2	±0.3	±0.5	±0.7	±1.0 <sup>0.05/10</sup>	

5	2EDGKA/B-5.08 COVER	1028COYXXA(H)	1	PA66	UL94V-0
4	2EDGKA/B-CLAMP	1028B00010(H)	XX	Phospor Bronze	Ni plated
3	2EDG SCREW-M2.5	S000000980(H)△	XX	STEEL	Cr <sup>3+</sup> Zn
2	DG128 CAGE	X000000020(H)	XX	BRASS	Ni plated

1	2EDGKA/B-5.08 HOUSING	1028AOYXXA(H)	1	PA66	UL94V-0
ITEM	NAME OF PART	NO. OF PART	Q'TY	MATERIAL	NOTES
TOLERANCES EXCEPT AS NOTED		DFTO LIN	DATE	05/19/06	
MM (INCH)		CHKD	DATE		
.00 ±		MFO	DATE		
.000 ±		APPVL	DATE		
ANGLES ± 1°		G.E.			
THIRD ANGLE PROJECTION		FINISH:			
		SCALE:			
		DO NOT SCALE DRAWING		SHEET 1 OF 1	
<p>DEGSON 宁波高正电子有限公司 DEGSON ELECTRONICS CO., LTD</p> <p>NAME: 2EDGKB-5.08-XXP-1Y-00A(H)</p> <p>DRAWING NO. 2EDGKB-5.08-E02 SIZE A3 REV T3 02/11/09</p>					