

Bridge Rectifiers

Part Number	Peak Repetitive Reverse Voltage	Max. Average Rectified Current		Max. Peak Forward Surge Current	Forward Voltage Drop		Max. Reverse Current		Package
	V_{RRM}	$I_o@T$		I_{FSM}	$V_F@I_F$		$I_R@V_R$		
	V	A	°C	A	V	A	µA	V	
0.5 AMP Single-Phase Bridge Rectifiers									
B05S	50	0.5	40	30	1.1	0.5	10.0	50	MiniDip
B1S	100	0.5	40	30	1.1	0.5	10.0	100	MiniDip
B2S	200	0.5	40	30	1.1	0.5	10.0	200	MiniDip
B4S	400	0.5	40	30	1.1	0.5	10.0	400	MiniDip
B6S	600	0.5	40	30	1.1	0.5	10.0	600	MiniDip
B8S	800	0.5	40	30	1.1	0.5	10.0	800	MiniDip
B10S	1000	0.5	40	30	1.1	0.5	10.0	1000	MiniDip
1.0 AMP Single-Phase Bridge Rectifiers									
DF005	50	1.0	40	50	1.1	1.0	10.0	50	DB
DF01	100	1.0	40	50	1.1	1.0	10.0	100	DB
DF02	200	1.0	40	50	1.1	1.0	10.0	200	DB
DF04	400	1.0	40	50	1.1	1.0	10.0	400	DB
DF06	600	1.0	40	50	1.1	1.0	10.0	600	DB
DF08	800	1.0	40	50	1.1	1.0	10.0	800	DB
DF10	1000	1.0	40	50	1.1	1.0	10.0	1000	DB
DF005M	50	1.0	40	50	1.1	1.0	10.0	50	DB
DF01M	100	1.0	40	50	1.1	1.0	10.0	100	DB
DF02M	200	1.0	40	50	1.1	1.0	10.0	200	DB
DF04M	400	1.0	40	50	1.1	1.0	10.0	400	DB
DF06M	600	1.0	40	50	1.1	1.0	10.0	600	DB
DF08M	800	1.0	40	50	1.1	1.0	10.0	800	DB
DF10M	1000	1.0	40	50	1.1	1.0	10.0	1000	DB
DF005S	50	1.0	40	50	1.1	1.0	10.0	50	DBS
DF01S	100	1.0	40	50	1.1	1.0	10.0	100	DBS
DF02S	200	1.0	40	50	1.1	1.0	10.0	200	DBS
DF04S	400	1.0	40	50	1.1	1.0	10.0	400	DBS
DF06S	600	1.0	40	50	1.1	1.0	10.0	600	DBS
DF08S	800	1.0	40	50	1.1	1.0	10.0	800	DBS
DF10S	1000	1.0	40	50	1.1	1.0	10.0	1000	DBS
DB101	50	1.0	40	50	1.1	1.0	10.0	50	DB
DB102	100	1.0	40	50	1.1	1.0	10.0	100	DB
DB103	200	1.0	40	50	1.1	1.0	10.0	200	DB
DB104	400	1.0	40	50	1.1	1.0	10.0	400	DB
DB105	600	1.0	40	50	1.1	1.0	10.0	600	DB
DB106	800	1.0	40	50	1.1	1.0	10.0	800	DB
DB107	1000	1.0	40	50	1.1	1.0	10.0	1000	DB
DB101S	50	1.0	40	50	1.1	1.0	10.0	50	DBS
DB102S	100	1.0	40	50	1.1	1.0	10.0	100	DBS
DB103S	200	1.0	40	50	1.1	1.0	10.0	200	DBS
DB104S	400	1.0	40	50	1.1	1.0	10.0	400	DBS
DB105S	600	1.0	40	50	1.1	1.0	10.0	600	DBS
DB106S	800	1.0	40	50	1.1	1.0	10.0	800	DBS
DB107S	1000	1.0	40	50	1.1	1.0	10.0	1000	DBS
RS101	50	1.0	50	30	1.0	1.0	10.0	50	RS1
RS102	100	1.0	50	30	1.0	1.0	10.0	100	RS1
RS103	200	1.0	50	30	1.0	1.0	10.0	200	RS1
RS104	400	1.0	50	30	1.0	1.0	10.0	400	RS1
RS105	600	1.0	50	30	1.0	1.0	10.0	600	RS1
RS106	800	1.0	50	30	1.0	1.0	10.0	800	RS1
RS107	1000	1.0	50	30	1.0	1.0	10.0	1000	RS1



MiniDip



DB



DBS



RS1

Bridge Rectifiers

Part Number	Peak Repetitive Reverse Voltage	Max. Average Rectified Current		Max. Peak Forward Surge Current	Forward Voltage Drop		Max. Reverse Current		Package
	V_{RRM}	$I_o@T$		I_{FSM}	$V_F@I_F$		$I_R@V_R$		
	V	A	°C	A	V	A	µA	V	
1.5 AMP Single-Phase Bridge Rectifiers									
DF15005	50	1.5	40	50	1.1	1.0	10.0	50	DIP
DF1501	100	1.5	40	50	1.1	1.0	10.0	100	DIP
DF1502	200	1.5	40	50	1.1	1.5	10.0	200	DIP
DF1504	400	1.5	40	50	1.1	1.5	10.0	400	DIP
DF1506	600	1.5	40	50	1.1	1.5	10.0	600	DIP
DF1508	800	1.5	40	50	1.1	1.5	10.0	800	DIP
DF1510	1000	1.5	40	50	1.1	1.5	10.0	1000	DIP
DF15005S	50	1.5	40	50	1.1	1.5	10.0	50	DIP-S
DF1501S	100	1.5	40	50	1.1	1.5	10.0	100	DIP-S
DF1502S	200	1.5	40	50	1.1	1.5	10.0	200	DIP-S
DF1504S	400	1.5	40	50	1.1	1.5	10.0	400	DIP-S
DF1506S	600	1.5	40	50	1.1	1.5	10.0	600	DIP-S
DF1508S	800	1.5	40	50	1.1	1.5	10.0	800	DIP-S
DF1510S	1000	1.5	40	50	1.1	1.5	10.0	1000	DIP-S
DB151	50	1.5	40	50	1.1	1.5	10.0	50	DIP
DB152	100	1.5	40	50	1.1	1.5	10.0	100	DIP
DB153	200	1.5	40	50	1.1	1.5	10.0	200	DIP
DB154	400	1.5	40	50	1.1	1.5	10.0	400	DIP
DB155	600	1.5	40	50	1.1	1.5	10.0	600	DIP
DB156	800	1.5	40	50	1.1	1.5	10.0	800	DIP
DB157	1000	1.5	40	50	1.1	1.5	10.0	1000	DIP
DB151S	50	1.5	40	50	1.1	1.5	10.0	50	DIP-S
DB152S	100	1.5	40	50	1.1	1.5	10.0	100	DIP-S
DB153S	200	1.5	40	50	1.1	1.5	10.0	200	DIP-S
DB154S	400	1.5	40	50	1.1	1.5	10.0	400	DIP-S
DB155S	600	1.5	40	50	1.1	1.5	10.0	600	DIP-S
DB156S	800	1.5	40	50	1.1	1.5	10.0	800	DIP-S
DB157S	1000	1.5	40	50	1.1	1.5	10.0	1000	DIP-S
RB151	50	1.5	50	50	1.1	1.5	10.0	50	WOB
RB152	100	1.5	50	50	1.1	1.5	10.0	100	WOB
RB153	200	1.5	50	50	1.1	1.5	10.0	200	WOB
RB154	400	1.5	50	50	1.1	1.5	10.0	400	WOB
RB155	600	1.5	50	50	1.1	1.5	10.0	600	WOB
RB156	800	1.5	50	50	1.1	1.5	10.0	800	WOB
RB157	1000	1.5	50	50	1.1	1.5	10.0	1000	WOB
W005M	50	1.5	50	50	1.1	1.5	10.0	50	WOB
W01M	100	1.5	50	50	1.1	1.5	10.0	100	WOB
W02M	200	1.5	50	50	1.1	1.5	10.0	200	WOB
W04M	400	1.5	50	50	1.1	1.5	10.0	400	WOB
W06M	600	1.5	50	50	1.1	1.5	10.0	600	WOB
W08M	800	1.5	50	50	1.1	1.5	10.0	800	WOB
W10M	1000	1.5	50	50	1.1	1.5	10.0	1000	WOB
KBP005	50	1.5	50	50	1.1	1.5	10.0	50	KBP
KBP01	100	1.5	50	50	1.1	1.5	10.0	100	KBP
KBP02	200	1.5	50	50	1.1	1.5	10.0	200	KBP
KBP04	400	1.5	50	50	1.1	1.5	10.0	400	KBP
KBP06	600	1.5	50	50	1.1	1.5	10.0	600	KBP
KBP08	800	1.5	50	50	1.1	1.5	10.0	800	KBP
KBP10	1000	1.5	50	50	1.1	1.5	10.0	1000	KBP
KBP005M	50	1.5	50	50	1.1	1.5	10.0	50	KBP
KBP01M	100	1.5	50	50	1.1	1.5	10.0	100	KBP
KBP02M	200	1.5	50	50	1.1	1.5	10.0	200	KBP
KBP04M	400	1.5	50	50	1.1	1.5	10.0	400	KBP
KBP06M	600	1.5	50	50	1.1	1.5	10.0	600	KBP
KBP08M	800	1.5	50	50	1.1	1.5	10.0	800	KBP
KBP10M	1000	1.5	50	50	1.1	1.5	10.0	1000	KBP



DB



DBS



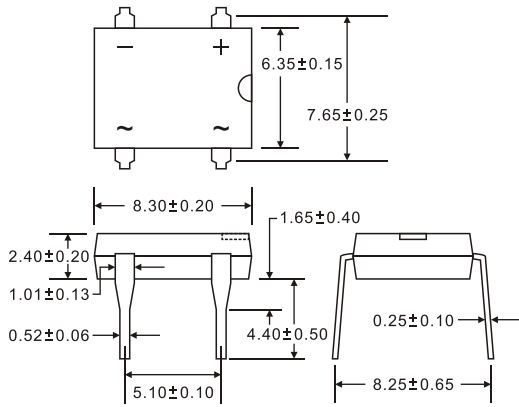
WOB



KBP

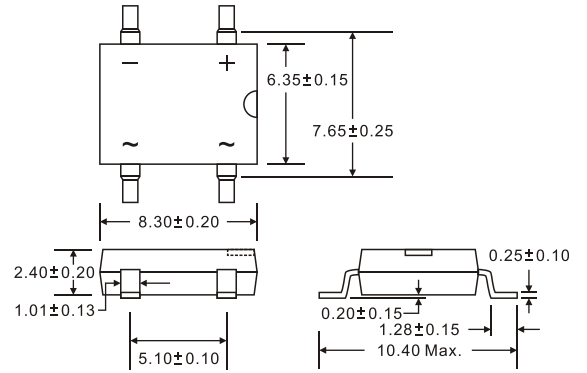
Outline Drawing

DB



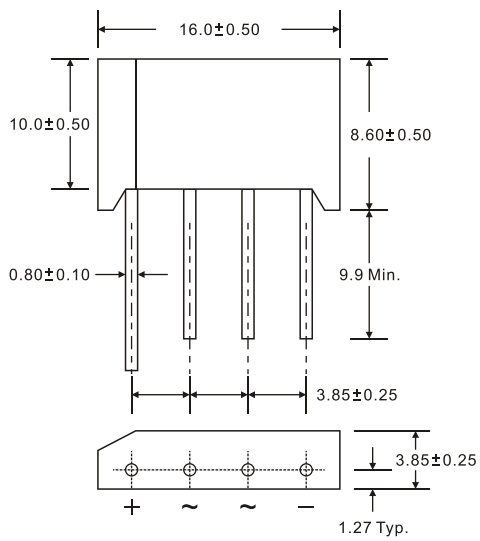
Dimensions in millimeters

DBS



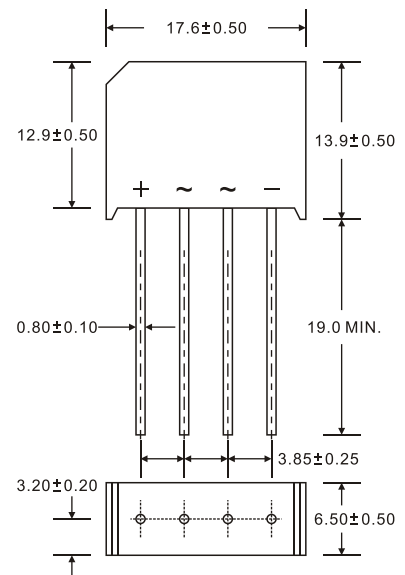
Dimensions in millimeters

RS1



Dimensions in millimeters

RS2



Dimensions in millimeters