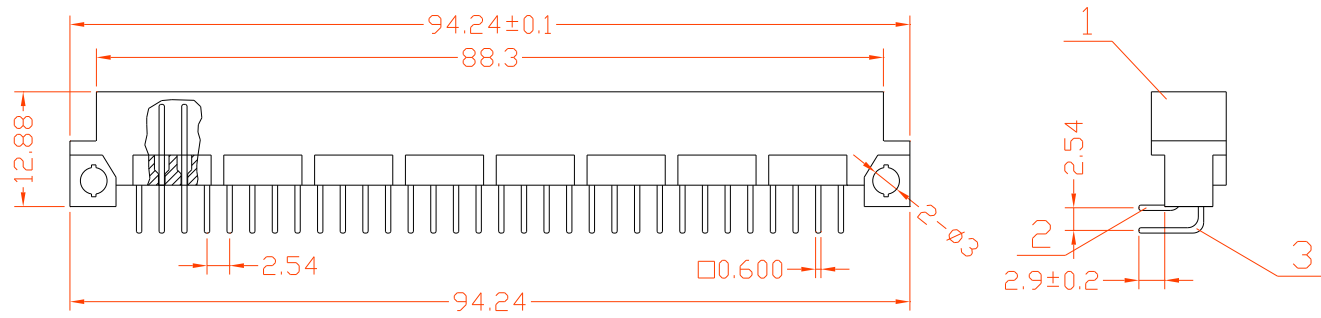


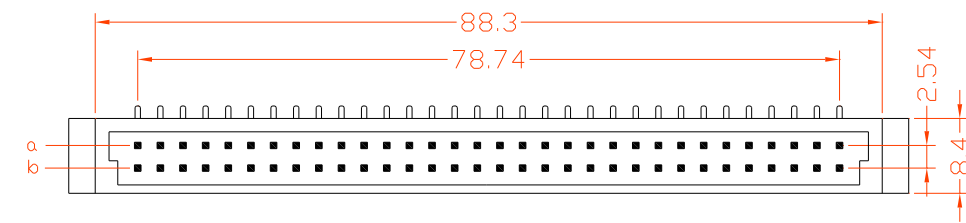
序号/RevNo.	名称/Title	文件编号/File No.
1	144M塑料件	QJ/XYT-11167
2	欧式公端端子(短)	QJ/XYT-11170
3	欧式公端端子(中)	QJ/XYT-11171



Specifications:

Contact Resistance: 30mΩ max.at DC 100 mA
 Insulator Resistance: 1000MΩ min.at DC 500V
 Current Rating: 2AMP

Dielectric Withstanding
 Voltage: AC 500V For 1 minute
 Operating Temperature:-55°C--+105°C
 Contact: Brass
 Housing: PBT &30% Glass Fiber(UL 94V-0)



Pitch	Position	Rows with contacts
2.54mm	64	ab
	32	a-
5.08mm	32	ab
	16	a-

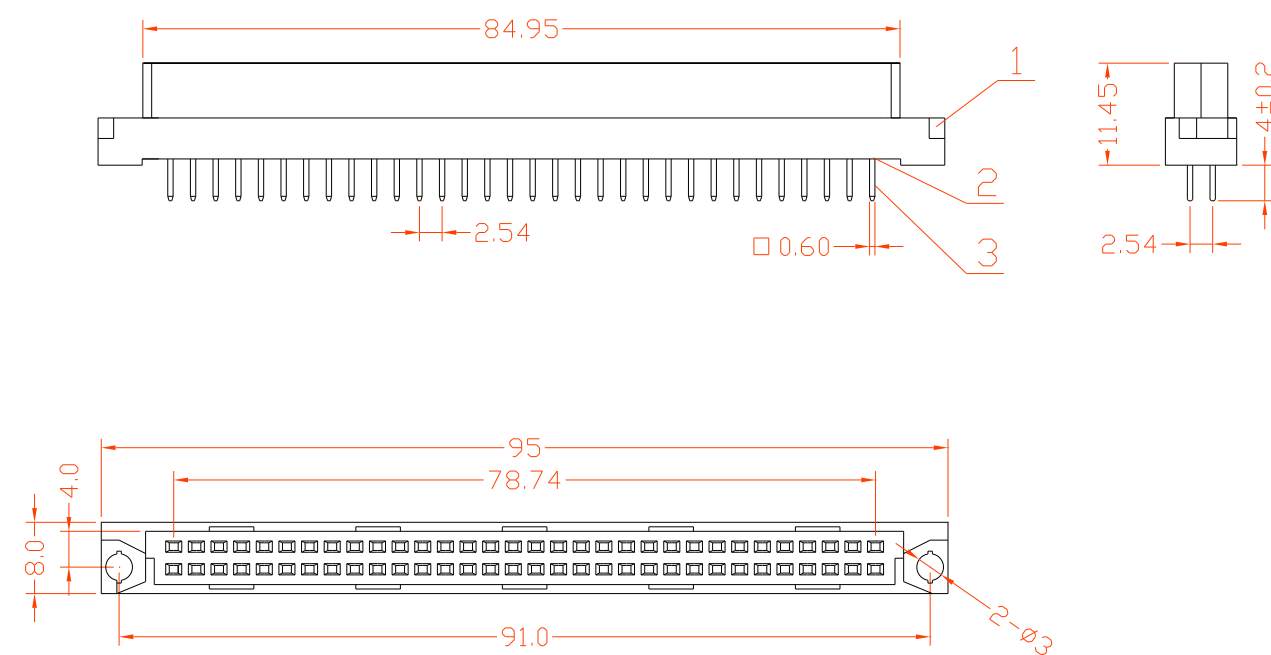
要求:

1. 塑料件无裂痕。
2. 整排端子成一直线，相邻端子之间相互平行。

设计/Designed by	绘图/Drawing by	审核/Checked by	批准/Approved by	未注公差 General Tolerance	
				x. ±0.2	x.' ±2'
		图名/Title	文件编号/File No.	.x ±0.1	.x' ±1'
		144M产品图	QJ/XYT-12100	.xx ±0.05	.xx' ±0.5'
		备注/Remark	波兰	.xxx ±0.01	
				单位/units: mm	

序号/RevNo.	更改记录/Revision note	签名/Signature	日期/Date

序号/RevNo.	名称/Title	文件编号/File No.
1	144F塑料件主体	QJ/XYT-11168
2	144F塑料件后盖	QJ/XYT-11169
3	欧式母端端子	QJ/XYT-11218



Specifications:

Contact Resistance: 30mΩ max.at DC 100 mA
 Insulator Resistance: 1000MΩ min.at DC 500V
 Current Rating: 2AMP

Dielectric Withstanding
 Voltage: AC 500V For 1 minute
 Operating Temperature:-55°C--+105°C
 Contact: Phosphor Bronze
 Housing: PBT &30% Glass Fiber(UL 94V-0)

Pitch	Position	Rows with contacts
2.54mm	64	ab
	32	a-
5.08mm	32	ab
	16	a-

要求:

1. 塑料件无裂痕。
2. 整排端子成一直线，相邻端子之间相互平行。

设计/Designed by	绘图/Drawing by	审核/Checked by	批准/Approved by	未注公差 General Tolerance	
				x. ±0.2	x.' ±2'
		图名/Title	文件编号/File No.	.x ±0.1	.x' ±1'
		144F产品图	QJ/XYT-12101	.xx ±0.05	.xx' ±0.5'
		备注/Remark	波兰	.xxx ±0.01	
				单位/units: mm	

序号/RevNo.	更改记录/Revision note	签名/Signature	日期/Date