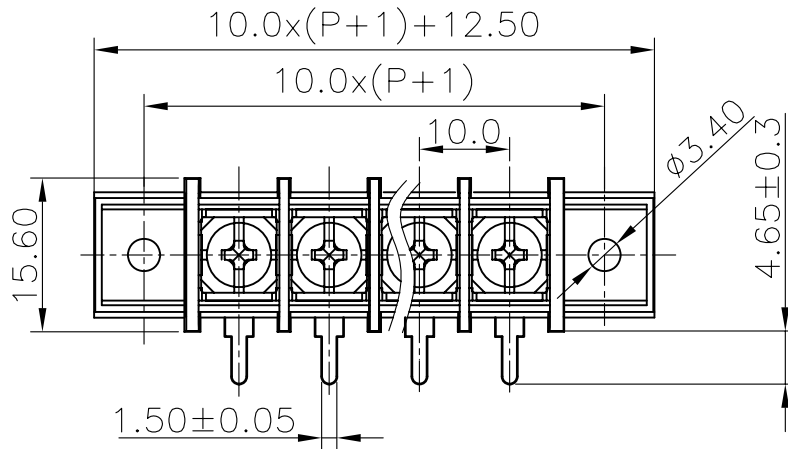


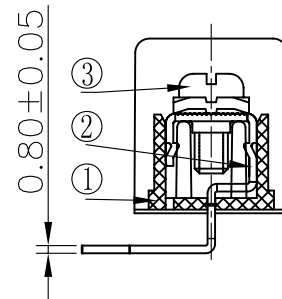
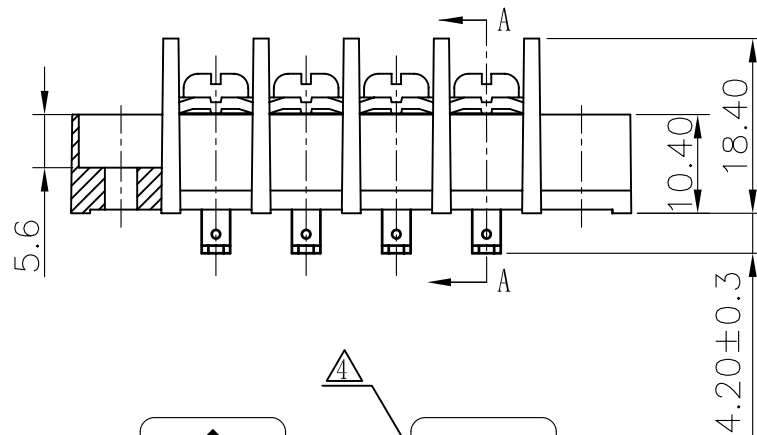
REVISION RECORD					
REV	ECO	DESCRIPTION	DRFT	DATE	
△		出脚尺寸由5.00±0.2变更到4.65±0.3	CSX	06/16/05	
△		将出脚和高度尺寸公差都改为±0.3	wyh	09/10/05	
△		图面更新	HW	06/12/06	
△		增加UL刻字	Ye.j	01/30/07	
△		品名、料号增加环保标识“(H)”	Ye.j	12/08/07	



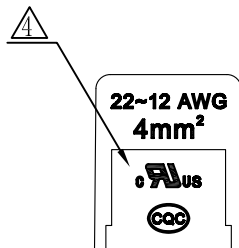
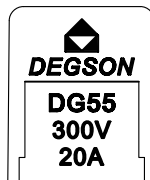
Notes:

1. Pitch:10.0mm Pole:2-24P
2. Rated current:20A
3. Rated voltage:300V
4. Operation temperatures:-40°C~+105°C
5. Withstanding Voltage:AC2000V/1Min
6. Insulation Resistance:500MΩ/DC500V
7. Wire Range:22~12AWG
8. Max. Torque Value: 12.24kgf.cm.
9. Undimensioned Tolerances:

Pitch range in mm		Nominal dimension range in mm						
over 6 to 10	over 10 to 24	over 30 to 60	over 60 to 100	over 100 to 150	over 150 to 200	over 200 to 300	—	
±0.10	±0.15	±0.25	±0.2	±0.3	±0.5	±0.7	±1.0	
							0.05/0.10	



Section A-A



3	4*8 bright Screw	S000000570 (H)	XX	Steel	Ni Plated
2	DG45R Pin header	5003B00060 (H)	XX	Brass	SnCe Plated

1	DG55R-A Housing	5004M0YXXA (H)	1	PA66	UL94V-0
ITEM	NAME OF PART	NO. OF PART	Q'TY	MATERIAL	NOTES
TOLERANCES EXCEPT AS NOTED		DFTO WSJ	DATE 11/03/03"	宁波高正电子有限公司 DEGSON ELECTRONICS CO., LTD	
MM (INCH)		CHKD	DATE		
.0 ±		MFO	DATE		
.00 ±		APPVL	DATE		
.000 ±		MATERIAL :		NAME	
ANGLES ± 1'		G.E :		DG55R-A-XXP-1Y-00A(H)	
THIRD ANGLE PROJECTION		FINISH :		DRAWING NO. DG55R-E03	
		SCALE : 1:1		/PART NO.	
DO NOT SCALE DRAWING				SHEET 1	OF 1