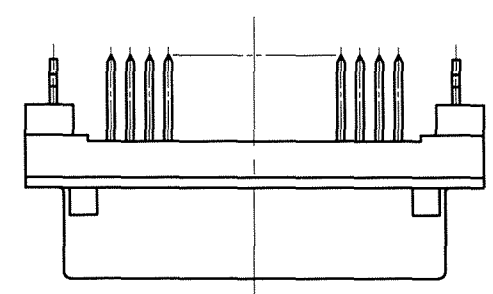
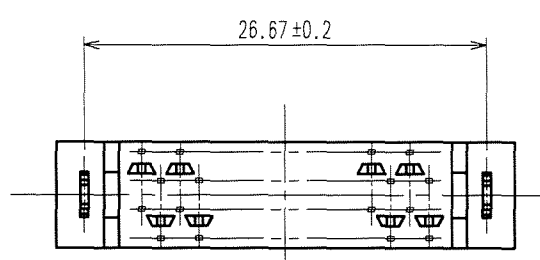
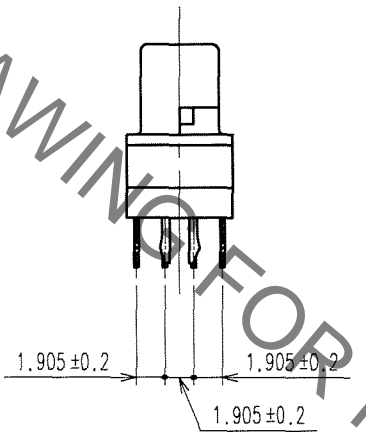
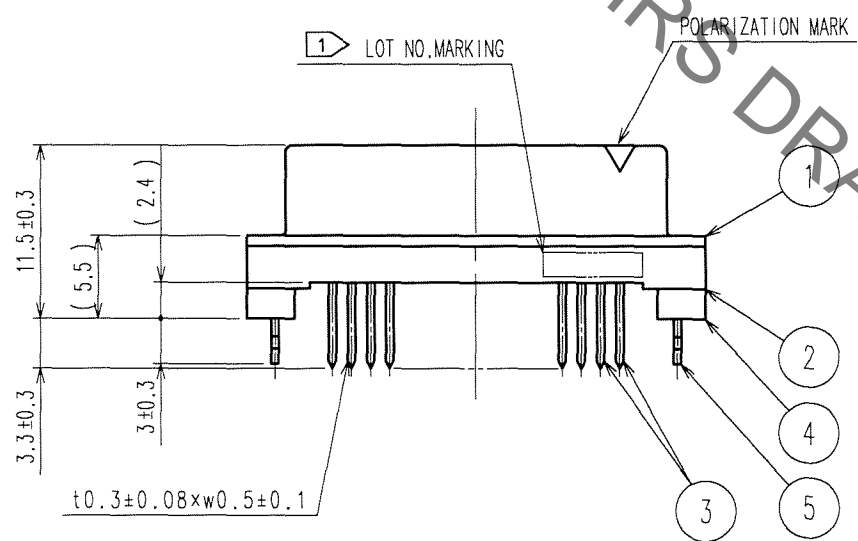
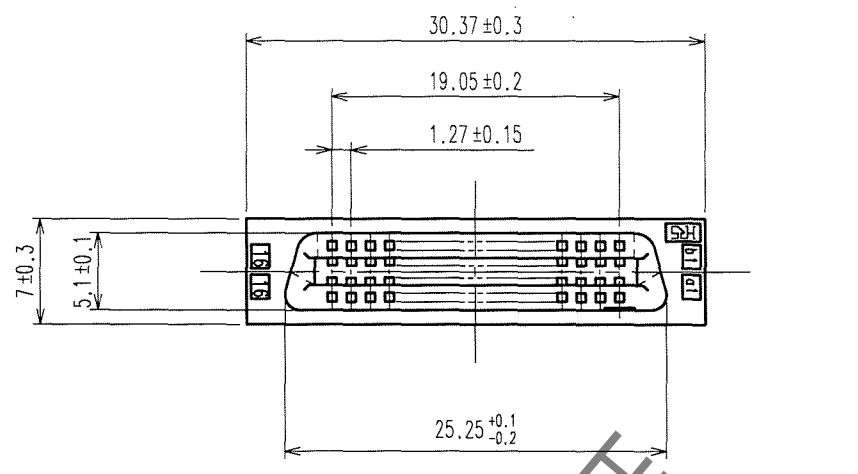
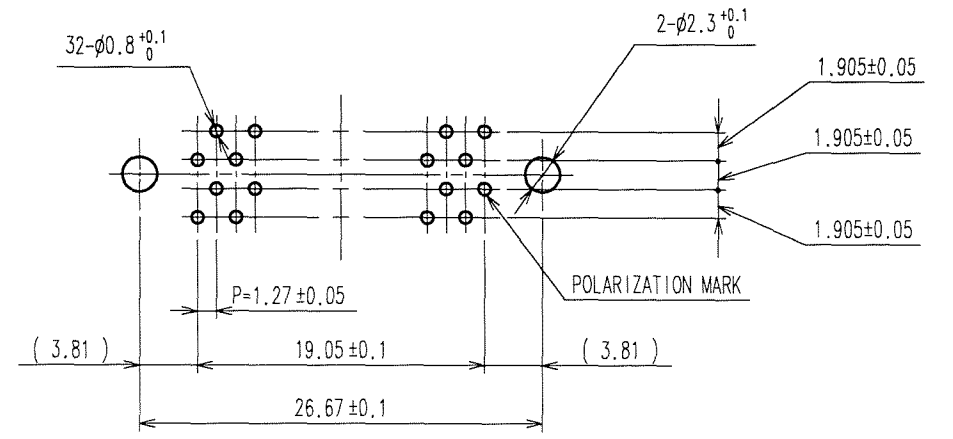


Sep.1.2020 Copyright 2020 HIROSE ELECTRIC CO., LTD. All Rights Reserved.
In case of consideration for using Automotive equipment / device which demand high reliability, kindly contact our sales window correspondents.

COUNT	DESCRIPTION OF REVISIONS	BY	CHKD	DATE	COUNT	DESCRIPTION OF REVISIONS	BY	CHKD	DATE
△				..	△				..
△				..	△				..
△				..	△				..



RECOMMENDED PC BOARD HOLE PATTERN
(MOUNTING SIDE) t=1.6



NOTE 1 LOT NO. MARKING SIDE SHALL BE OPTIONAL.
2 THE DIMENSIONS IN PARENTHESES ARE FOR REFERENCE.

5	PHOSPHOR BRONZE	TIN-PLATING	3	PHOSPHOR BRONZE	CONTACT AREA: GOLD 0.2μm min. DIP AREA: TIN-PLATING 2μm min. UNDER PLATING: NICKLE 2μm min.
1, 2, 4	POLYAMIDE	BLACK UL94V-0			
NO.	MATERIAL	FINISH, REMARKS	NO.	MATERIAL	FINISH, REMARKS
CODE NO. (OLD) CL		DRAWN A. SUZUKAWA '06.07.18	DESIGNED <i>M. Nakamura</i> 06-07-18	CHECKED <i>H. Ozawa</i> 06-07-18	APPROVED <i>H. Okawa</i> 06-07-19
DRAWING NO. EDC3-083268-21		PART NO. FX2CA2-32S-1.27DSAL(71)		CODE NO. CL572-2572-0-71	
SCALE 2 : 1		UNITS mm		1/1	

TO