

# ME3-Cl<sub>2</sub> Gas Sensors Manual

## 1 Feature

ME series Cl<sub>2</sub> sensors have low consumption , small size , high sensitivity , wide range of linearity, and better anti-jamming capacity , good reproducibility, stability and reliability ect advantage. It is electrochemical sensor widely used for industry and environmental protection field, ect .



## 2 Application

Type	Detecting Object	Use	Remark
ME3-Cl <sub>2</sub>	Cl <sub>2</sub>	Detecting Cl <sub>2</sub> for industry and environmental protection field	

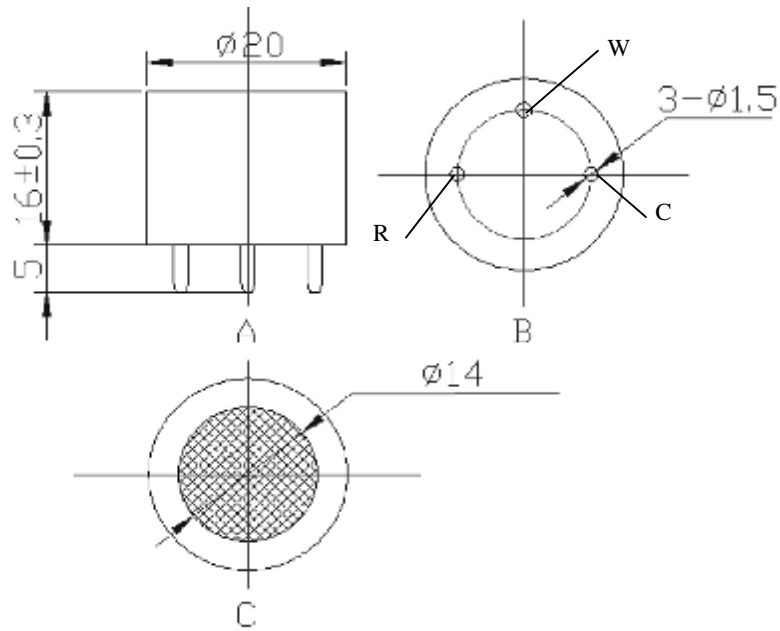
## 3 Feature

### 3.1 Parameter

#### 3.1.1 Basic feature

Type	ME3-Cl <sub>2</sub>	
Measurement Range	0-20ppm	Remark
Sensitivity(μA/ppm)	1.0±0.20	
Reproducibility	Output signal ±2%	
Response time(t <sub>90</sub> ) s	≤30	
Signal attenuation	≤2%	/month
Zero drift (ppm)	-0.1~0.1	Clean air
Temperature range (°C)	-20~+50	
Temperature drift (ppm)	≤0.2	20~50°C
Humidity range	≤95%RH	
Pressure range (kPa)	90~110	
Storage temperature (°C)	0~20	Recommendati
Storage period (month)	6	
Anticipated using life (month)	>12	
Max detecting concentration	200	

### 3.1.2 Products external dimension



A—left view    B—Planform    C—upward view

Chart 1 products external dimension

### 3.2 Gas sensitivity

#### 3.2.1 ME3-Cl<sub>2</sub> electrochemical sensor concentration response characteristic curve

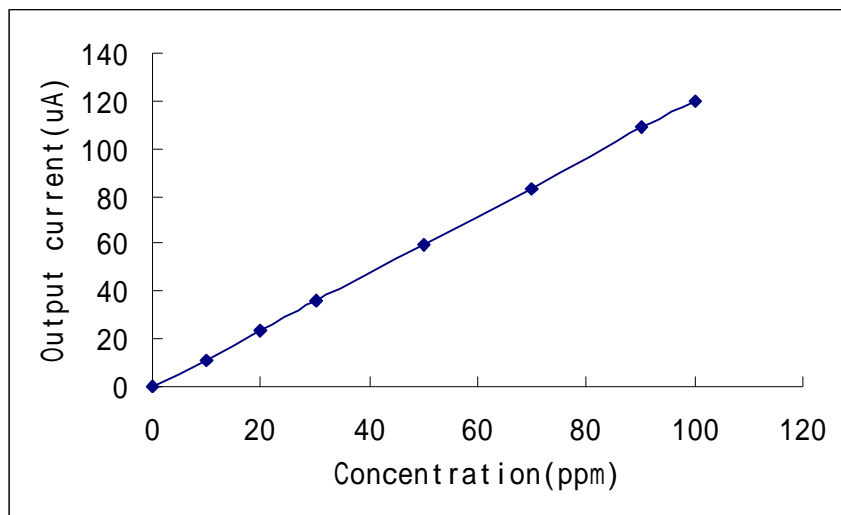


Chart 2 .sensitivity curve

**3.2.2 ME3-Cl<sub>2</sub> type electrochemical sensors' response , resume time and output voltage relation curve**

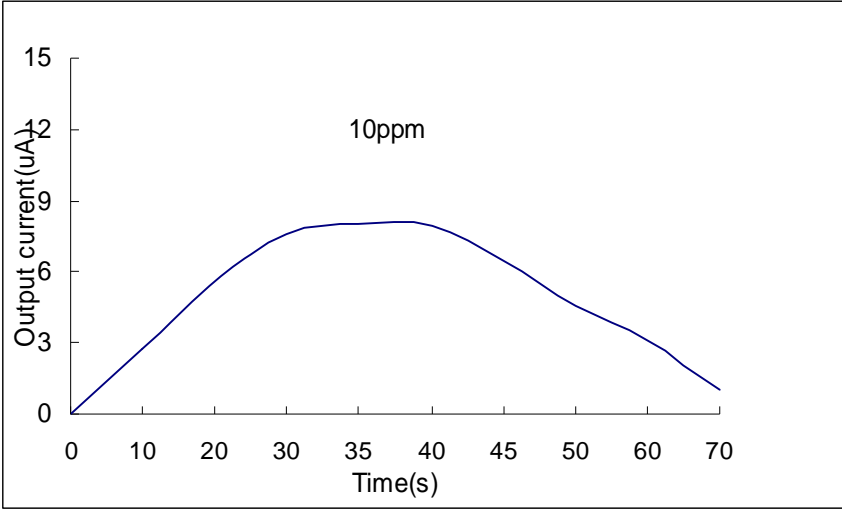


Chart 3.response and resume curve

**3.2.3 Temperature characteristic**

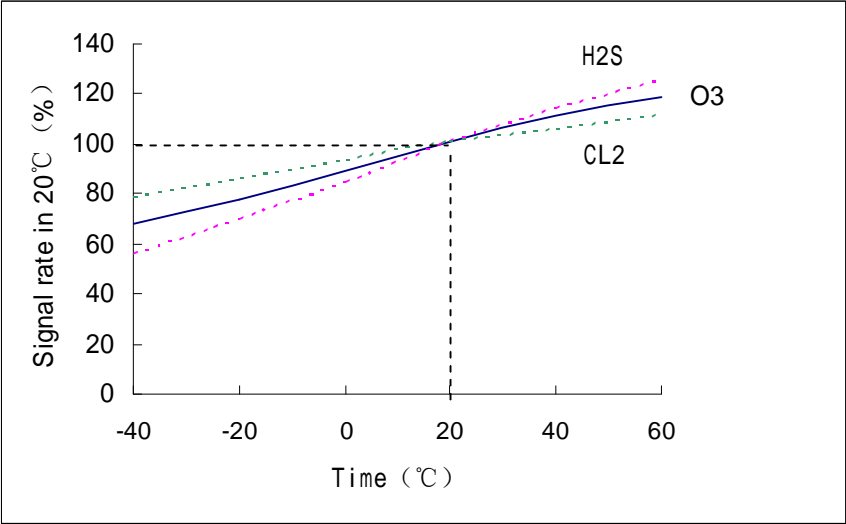


Chart 4.Temperature curve