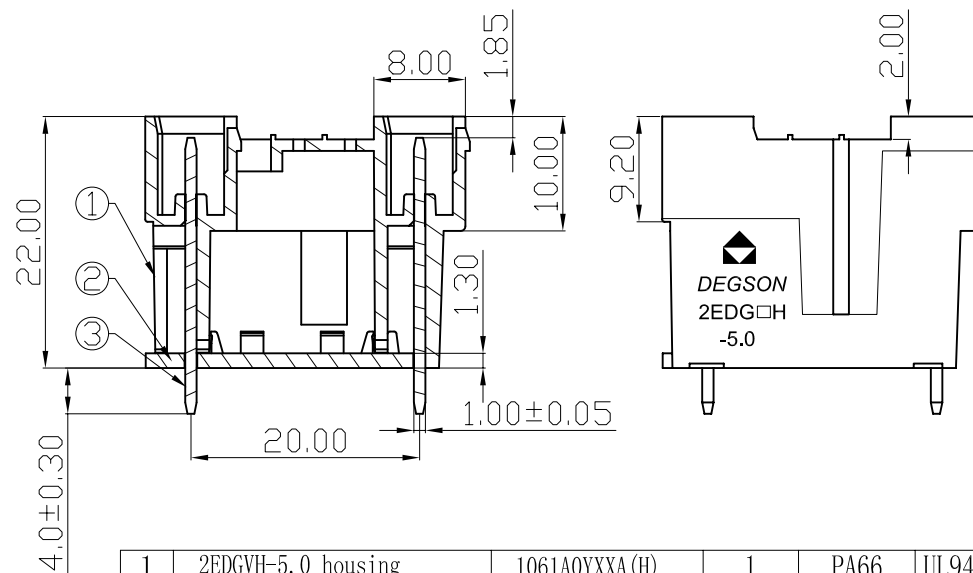
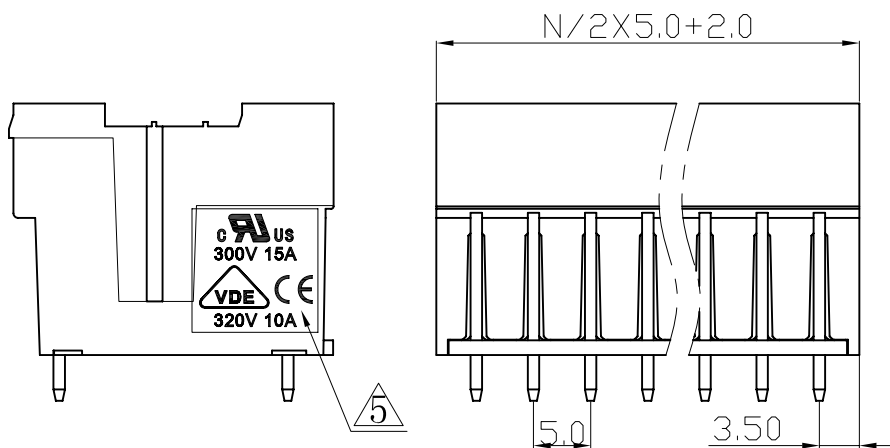


Notes:

1. Pitch: 5.00mm , Poles: 4-48P
2. Rated voltage/current: UL 300V/15A
VDE 320V/10A
3. Operation temperatures: -40°C ~ +105°C
4. Withstanding Voltage: AC2000V/1Min
5. Insulation Resistance: 5000M Ω /DC1000V
6. Undimensioned Tolerances:

| REVISION RECORD | | | | |
|-----------------|-----|------------------|-------|-----------|
| REV | ECD | DESCRIPTION | DRFT | DATE |
| △ | | 图面更新 | CSX | 04/14/06* |
| △ | | 增加UL刻字 | CSX | 08/31/07* |
| △ | | 品名、料号增加环保标示“(H)” | LJH | 12/11/07* |
| △ | | 取消超音波焊接 | LJH | 04/15/08* |
| △ | | 增加VDE刻字及参数 | Zengy | 12/08/08* |

| Pitch range in mm | | Nominal dimension range in mm | | | | | | |
|-------------------|-------|-------------------------------|------|------|------|------|------|---------|
| to | over | to | over | to | over | to | | |
| 6 | 6 | 10 | 10 | 30 | 60 | 100 | 150 | ∩ |
| 6 | 10 | 24 | 30 | 60 | 100 | 150 | | ∇ |
| ±0.10 | ±0.15 | ±0.25 | ±0.2 | ±0.3 | ±0.5 | ±0.7 | ±1.0 | 0.05/10 |



| | | | | | |
|---|---------------------|---------------|----|-------|---------|
| 3 | 2EDGVH Pin plated | 1061B00020(H) | XX | Brass | SnCe |
| 2 | 2EDGR(V)H-5.0 Cover | 1061COYXXA(H) | 1 | PA66 | UL94V-0 |

| ITEM | NAME OF PART | NO. OF PART | Q'TY | MATERIAL | NOTES |
|------|--------------------|---------------|------|----------|---------|
| 1 | 2EDGVH-5.0 housing | 1061AOYXXA(H) | 1 | PA66 | UL94V-0 |

| | | | |
|----------------|----------------------------|----------------------|----------------|
| DETACHED LISTS | MM (INCH) | DFTD LITUM | DATE 05/30/05" |
| | TOLERANCES EXCEPT AS NOTED | CHKD | DATE |
| | | MFO | DATE |
| | | APPVL | DATE |
| | MM | ± | |
| | .0 ± | ± | |
| | .00 ± | ± | |
| | .000 ± | ± | |
| | ANGLES ± 1° | G.E : | |
| | THIRD ANGLE PROJECTION | FINISH: | |
| | SCALE : | DO NOT SCALE DRAWING | |

| | | | |
|-------------|----------------|--------------------------|-----|
| NAME | | 2EDGVH-5.0-XXP-1Y-00A(H) | |
| DRAWING NO. | 2EDGVH-5.0-E01 | SIZE | REV |
| /PART NO. | | A3 | T5 |
| SHEET 1 | | OF 1 | |