

USB SERIES

CHOGORI

USB Series Specifications

Mini USB Series(B-Type)

Description

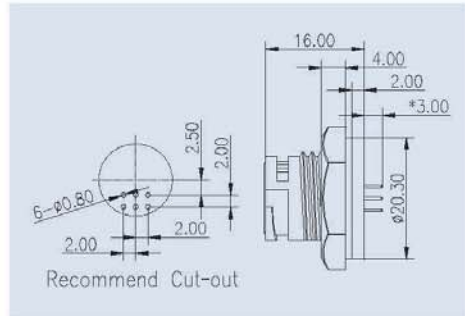
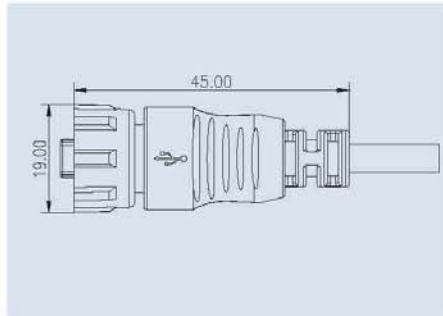
Molded with Cable, 180°
Lock Bayonet Type, Male Connector(B-Type)

Front Panel Mount
Female Connector(B-Type)

Figure



Drawing



Part Number

Contacts	Cable Range(mm)	Part Number	Contacts	Panel thickness	Part Number
4	3.5 - 6.8	36005123-01-001	4	Max 4.00mm	36005625-01

Specifications

Number of Contacts	4
Wire Gauge	USB2.0
Cable Range	3.5mm - 6.8mm
Environmental Protection	IP67
Mechanical Life	1500 mating cycles
Operating Temperature	- 25°C - +85°C
Breakdown Voltage	≧ AC 500V / 1Minute
Speed	480 Mbps
Contact Resistance	≦ 30mΩ Max
Insulation Resistance	≧ 10MΩ Min
Rated Current (40°C)	0.8A