

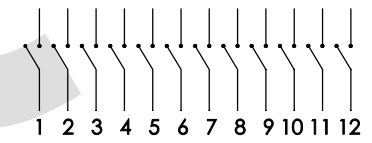
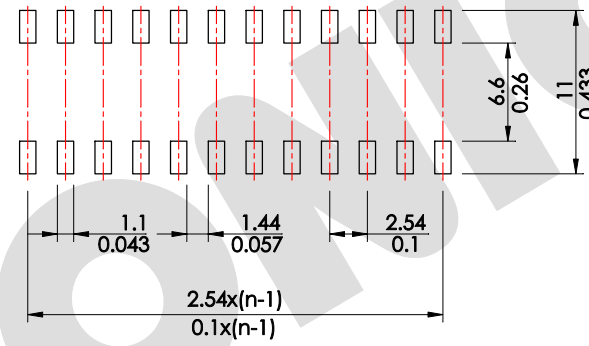
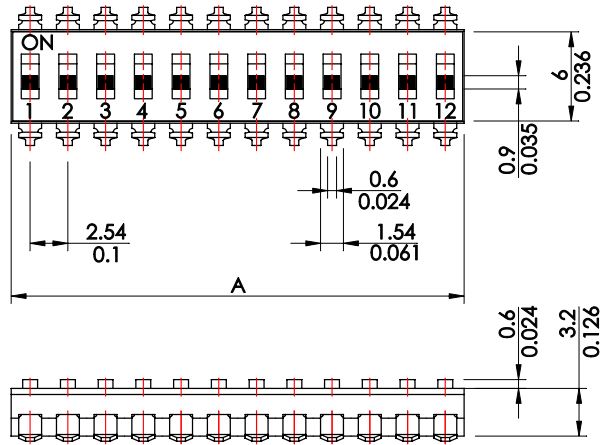
版本：V2.2

本圖面若與目錄之規格尺寸不符，以本圖面規格尺寸為主。
Below is our main specification if different from catalog.

RoHS compliant

P.C.B. LAYOUT

SCHEMATIC

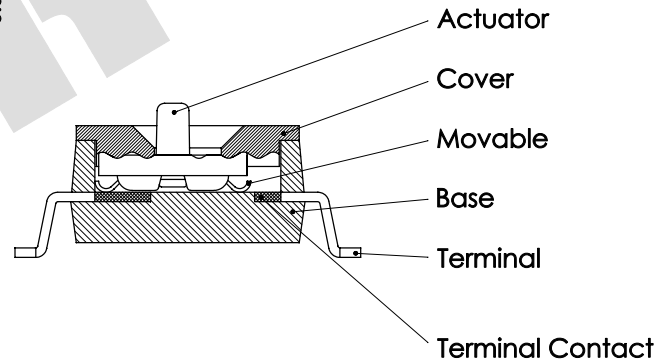


SPECIFICATION

Rating: 25mA 24V DC.
Contact resistance: 50mΩ Max.(initial)
Insulation resistance: 100MΩ Min. at 500V DC.
Withstand voltage: 500V AC Min. for 1 minute.
Operating temperature: -30°C ~ +85°C.
Storage temperature: -5°C ~ +40°C.
Operating force: 1,000g Max.
Minimum load: 10mA 24V DC.(reference only)
Mechanical life: 3,000 Cycles Min.
Soldering temperature: 250°C Max. for 3 sec.
Soldering time: 1 time only.
Note: Unwashable, don't be immersed by epoxy and organic solvent.

MATERIAL

Base: PPS UL-94V-0, black.
Cover: PPS UL-94V-0, black.
Actuator: Nylon UL-94V-0, white.
Movable: Copper alloy, Gold plated.
Terminal contact: Brass, Gold plated.
Terminal: Brass, Gold plated.



DMHA-XXG-G

Poles (N)	A (mm)
01	2.54
02	5.08
03	7.62
04	10.16
05	12.70
06	15.24
07	17.78
08	20.32
09	22.86
10	25.40
12	30.48

RoHS compliant



V2.2	△		
V2.1	無	改版	2013.02.21
V2.0	無	新繪製	2007.03.28
版本 VER.	符號 SYMBOL	修改內容 ALTERATION	更新日期 DATE

產品 PRODUCT	Dip Switch		型號 MODEL NO.	DMHA-02G-G
製圖 DRAWN BY	核圖 CHECKED BY	主管 APPROVED BY	單位 UNIT	mm
Jay Kang	Alex Lin	Margaret Lee	比例 SCALE	2 : 1
			公差 TOLERANCE	.X=±0.3mm, .XX=±0.2mm

SWITRONIC
INDUSTRIAL CORP.
Switches



一綺電子企業股份有限公司
總公司：110 台北市信義路四段415號13樓之3
13F-3 NO. 415, SEC. 4, HSIN YI ROAD, TAIPEI, TAIWAN
TEL : 886-2-27290229 (Rep.) FAX : 886-2-27582086
URL : http://www.switronic.com.tw
E-MAIL : switches@ms36.hinet.net