

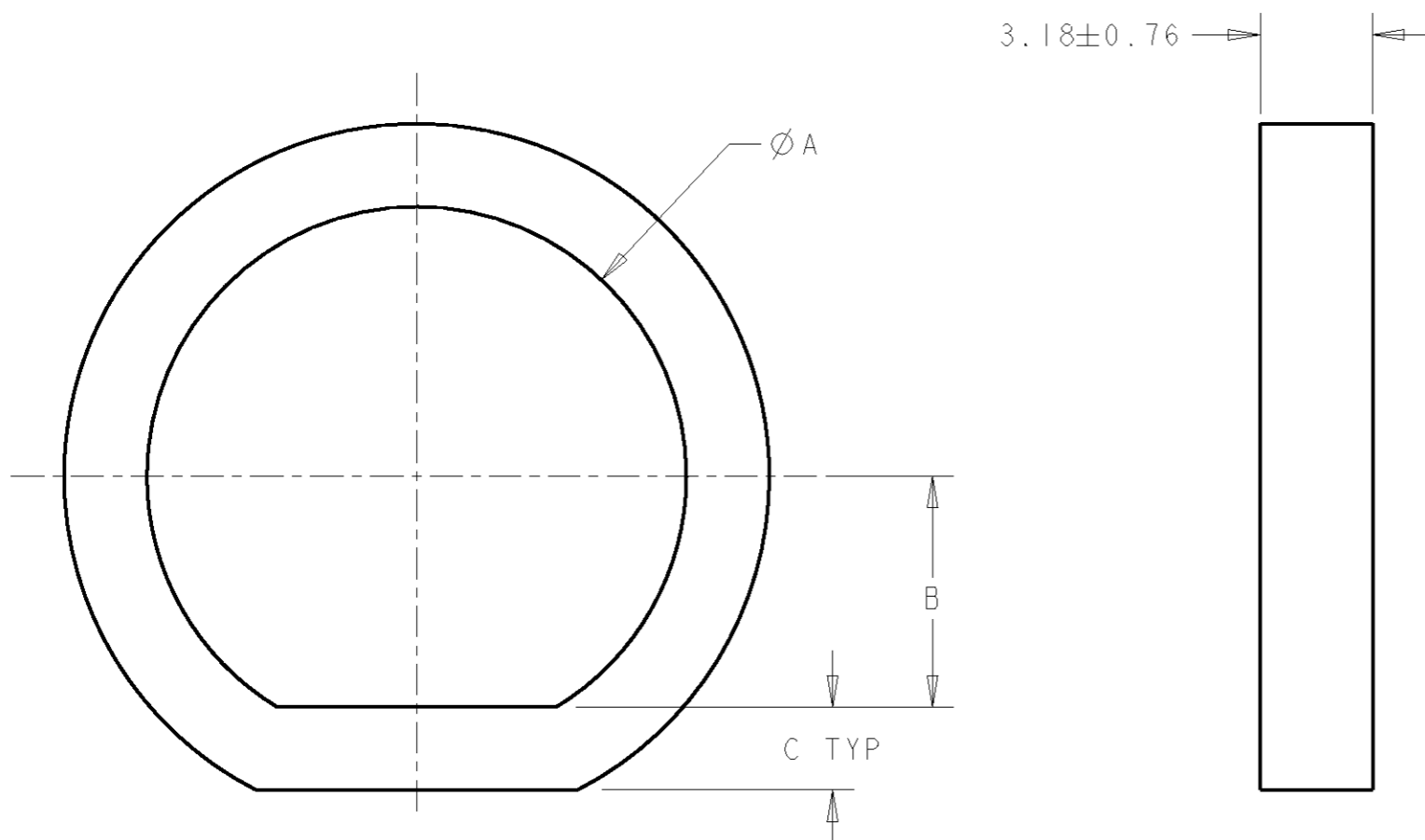
THIS DRAWING IS UNPUBLISHED.

RELEASED FOR PUBLICATION

© COPYRIGHT

ALL RIGHTS RESERVED.

LOC	DIST	REVISIONS					
FT	0	P	LTR	DESCRIPTION	DATE	DWN	APVD
		C2		REVISED PER ECO-11-005140	19APR11	RK	HMR



PRELIMINARY	1.50	6.55	15.3	1445420-8
	2.35	10.5	23.1	1445420-7
② OBSOLETE	2.35	5.25	12.5	1445420-6
	2.35	6.0	14.0	1445420-5
② OBSOLETE	2.35	4.2	9.25	1445420-4
	2.35	4.5	10.9	1445420-3
	2.35	8.5	18.5	1445420-2
	2.35	6.55	15.3	1445420-1
	C	B	A	PART NUMBER

- ① MATERIAL: NEOPRENE CLOSED CELL SPONGE, COLOR-BLACK.
- ② OBSOLETE PARTS : OBSOLETE CIS STREAMLINING PER D.RENAUD/D.SINISI

DOWNSHIP: 04JUN2003			
G DOUTY			
CHECKED: 18JUL2003		NAME: SEAL, PANEL	
H.WALEEM		-	
APPROVED: 18JUL2003		-	
H.WAKFEM		-	
PRODUCT SPEC		-	
APPLICATION SPEC		-	
WEIGHT		-	
MATERIAL		SIZE: A3	CAGE CODE: 00779
FINISH		DRAWING NO: 1445420	
-		RESTRICTED TO: -	
CUSTOMER DRAWING		SCALE: 5.1	SHEET: 1 OF 1
		REV: C2	

DIMENSIONS: mm		TOLERANCES UNLESS OTHERWISE SPECIFIED:	
	0 PLC	±0	
	1 PLC	±0.51	
	2 PLC	±0.51	
	3 PLC	±-	
	4 PLC	±-	
	ANGLES	±-	

# Mouser Electronics

Authorized Distributor

Click to View Pricing, Inventory, Delivery & Lifecycle Information:

[TE Connectivity:](#)

[1445420-2](#)