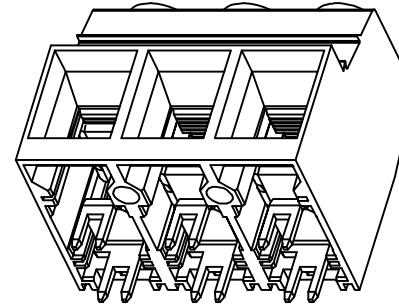
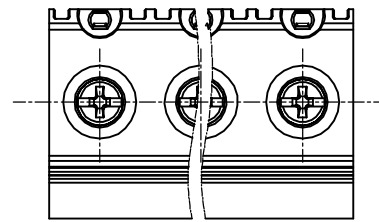


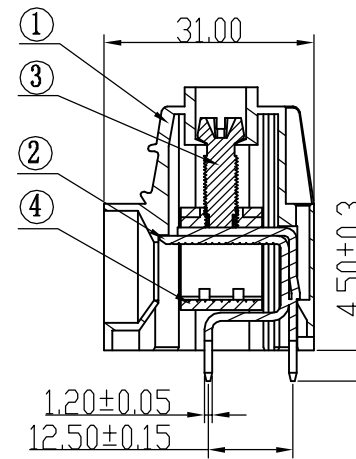
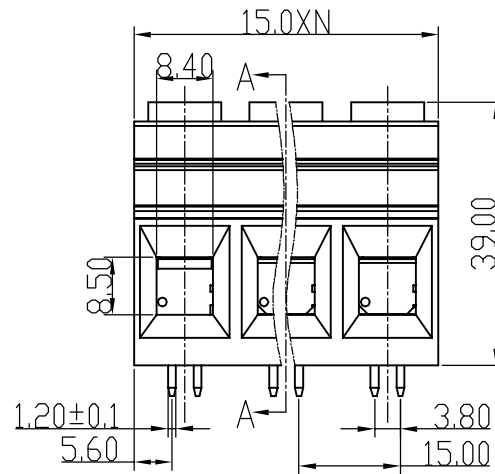
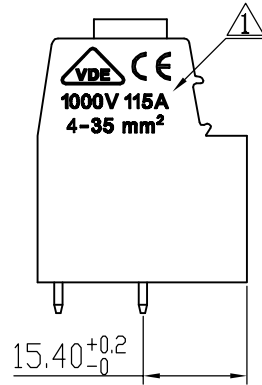
REVISION RECORD					
REV	ECN	DESCRIPTION	DRFT	DATE	
△	10-0314	增加VDE刻字	Yi. Zeng	09/24/10*	



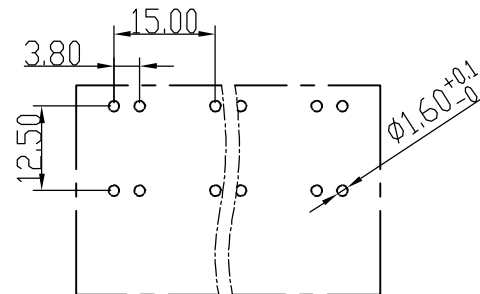
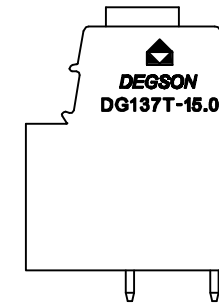
Notes:

1. Pitch:15.0mm, Poles:2P, 3P~9P
2. Rated voltage/current:UL1059 600V/115A
VDE 1000V/115A
3. Insulation resistance: 5000MΩ/DC1000V
4. Withstanding voltage : AC3000V/1Min
5. Temp. Range : -40° C~+105° C
6. Wire Range:20-2AWG, 4-35mm²
7. Max. Torque Value:20.40kgf.cm
8. Undimensioned Tolerances:

Pitch range in mm		Nominal dimension range in mm						
to 6	over 6 to 10	over 10 to 24	over 30 to 60	over 60 to 100	over 100 to 150	over 150	∩	
±0.10	±0.15	±0.25	±0.2	±0.3	±0.5	±0.7	±1	
							0.05/10	



Section A-A



4	DG137TM Cage	X000003220(H)	XX	Steel	Cr ³⁺ Zn
3	DG137TM M5-Screw	S000003330(H)	XX	Steel	Zn
2	DG137TM Pin header	4119B00010(H)	XX	copper	Sn

ITEM	NAME OF PART	NO. OF PART	Q'TY	MATERIAL	NOTES
1	DG137T Housing	4118A0YXXA(H)	1	PA66	UL94V-0
DETAILED LISTS		DFTD YHG DATE 07/04/08* CHKD DATE MFD DATE APPVL DATE MATERIAL : ANGLES ± 1° G.E : FINISH: THIRD ANGLE PROJECTION SCALE : 1:1			
		宁波高正电子有限公司 DEGSON ELECTRONICS CO., LTD NAME DG137T-15.0-XXP-1Y-00A(I)		DRAWING NO. DG137T-15.0-E01 /PART NO. DO NOT SCALE DRAWING	
			SHEET 1	REV T1	OF 1