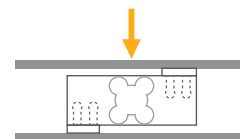


LP022

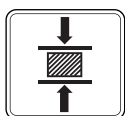
Single Point Load Cell



Applications



Small Bench



Testing
Machines



Dynamic
Weighing



Packing & Filling
Applications

Key Features

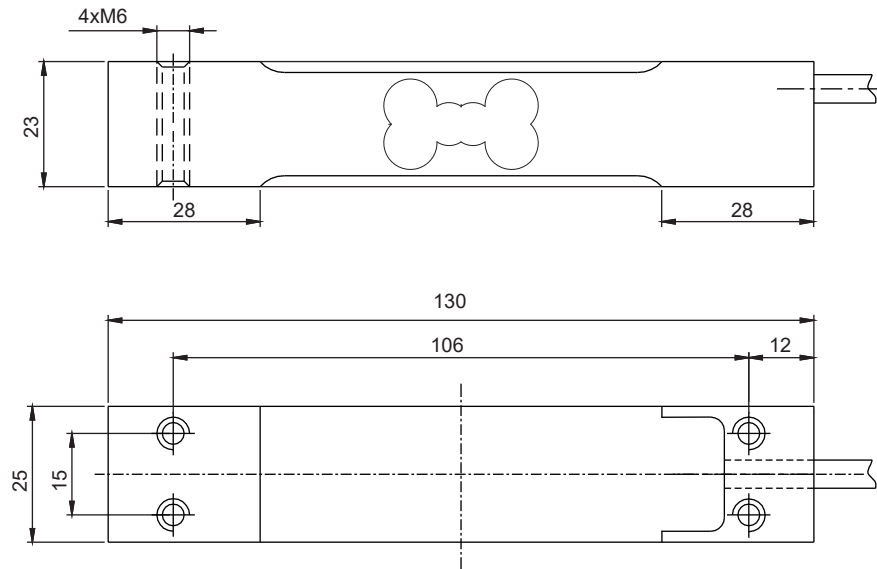
- Capacities: 8~40 kg
- Aluminum construction
- Protection class: IP65
- Platform size (recommended): 250 x 350 mm

LP022 is aluminium single point load cell with IP65 protection. It is suitable for bench scales, counting scales, balances, packing machines and testing devices for force measurement.

Technical Specifications

Model		LP022
Capacity (E_{max})	kg	8 / 10 / 15 / 20 / 30 / 35 / 40
Accuracy class		C3
Rated output (RO)	mV / V	2.0 ± 0.2
Maximum number of load cell verification intervals (n_{LC})		3000
Minimum load cell verification interval (V_{min})		$E_{max} / 10000$
Temperature effect on zero	%RO / 10°C	± 0.02
Temperature effect on sensitivity	%RO / 10°C	± 0.01
Combined error	%RO	± 0.0166
Safe load limit	% E_{max}	150
Ultimate load	% E_{max}	300
Zero balance	%RO	± 2.0
Creep error (30 minutes)	%RO	± 0.02
Excitation voltage, recommended	V (DC)	10
Excitation voltage, maximum	V (DC)	15
Input resistance	Ω	404 ± 15
Output resistance	Ω	350 ± 3
Insulation resistance (at 50 V DC)	M Ω	≥ 2000
Compensated temperature range	°C	- 10...+ 40
Operating temperature range	°C	- 20...+ 50
Material		Aluminium
Protection class		IP65
Cable		Shielded, 4 conductor cable, length: 1 m / diameter: 5 mm
Maximum platform size	mm	250 x 350

Dimensions (mm)



Color Codes

Function	Colors
+ input	blue
+ output	white
- input	black
- output	red
shield	