

THIS DRAWING IS UNPUBLISHED. RELEASED FOR PUBLICATION
 © COPYRIGHT - Tyco Electronics AMP GmbH ALL RIGHTS RESERVED.

LOC	DIST	REVISIONS					
		P	LTR	DESCRIPTION	DATE	DWN	APVD
H	-	G		BULK PACKAGING P/N CHANGED FOR P/N 6-1377173-1	15JUL2013	KJK	RP

SMALL PACK PART NUMBER	UNIT PACKAGE QTY (QTY/PLASTIC BOX)	BULK PACKAGING		
		UNIT PACKAGE QTY (QTY/PLASTIC BOX)	PART NUMBER	
1377173	1	100	0-0034151-0	
1377173	2	100	0-0034157-0 OBSOLETE	
1377173	3	100	0-0034158-0	
1377173	4	100	0-0034160-0	
1377173	5	100	0-0130102-0	
1377173	6	100	0-0034162-0	
1377173	7	100	0-0130126-0	
1377173	8	100	0-0034163-0	
1377173	9	50	0-0034853-0	
1	1377173	0	50	0-0160292-0
1	1377173	1	50	0-0160294-0
1	1377173	2	50	0-0160296-0
1	1377173	3	50	0-0160124-0
1	1377173	4	100	0-0165004-0
1	1377173	5	100	0-0327043-0
1	1377173	6	100	0-0320665-0
1	1377173	7	100	0-0034154-0
1	1377173	8	100	0-0034155-0
1	1377173	9	100	0-0165008-0
2	1377173	0	100	0-0034156-0
2	1377173	1	100	0-0322249-0
2	1377173	2	100	0-0324169-0
2	1377173	3	100	0-0328516-0
2	1377173	4	100	0-0165010-0
2	1377173	5	100	0-0106730-0
2	1377173	6	100	0-0322994-0
2	1377173	7	100	0-0034165-0
2	1377173	8	100	0-0165012-0
2	1377173	9	100	0-0326741-0
3	1377173	0	100	0-0034166-0
3	1377173	1	100	0-0160171-0
3	1377173	2	100	0-0130568-0
3	1377173	3	100	0-0324165-0 OBSOLETE
3	1377173	4	100	0-0160212-0
3	1377173	5	100	0-0160213-0
3	1377173	6	50	0-0165015-0
3	1377173	7	50	0-0165017-0
3	1377173	8	50	0-0165019-0
3	1377173	9	50	0-0324172-0
4	1377173	0	50	0-0052856-0
4	1377173	1	100	0-0165143-0
4	1377173	2	100	0-0165167-0
4	1377173	3	100	0-0131443-0
4	1377173	4	100	9-0165075-0 SUPERSEDED BY PARTNR. 4-1377173-5
4	1377173	5	100	0-0165075-0
4	1377173	6	100	9-0165171-0 SUPERSEDED BY PARTNR. 4-1377173-7
4	1377173	7	100	0-0165171-0
4	1377173	8	100	0-0131444-0
4	1377173	9	100	0-0165085-0
5	1377173	0	50	0-0131445-0
5	1377173	1	100	0-0321026-0
5	1377173	2	100	0-0034070-0
5	1377173	3	100	0-0034071-0
5	1377173	4	50	0-0034072-0
5	1377173	5	100	0-0034132-0
5	1377173	6	50	0-0034134-0
5	1377173	7	50	0-0034136-0
5	1377173	8	100	0-0035115-0
5	1377173	9	50	0-0328730-0
6	1377173	0	100	0-0165198-0 OBSOLETE
6	1377173	1	25	0-055808-1
6	1377173	2	100	0-0323913-0
6	1377173	3	100	0-0323914-0 OBSOLETE
6	1377173	4	100	0-0323915-0
6	1377173	5	100	0-0323916-0
6	1377173	6	100	0-0031880-0
6	1377173	7	100	0-0036150-0
6	1377173	8	100	0-0031890-0
6	1377173	9	100	0-0130008-0

SMALL PACK PART NUMBER	UNIT PACKAGE QTY (QTY/PLASTIC BOX)	BULK PACKAGING		
		UNIT PACKAGE QTY (QTY/PLASTIC BOX)	PART NUMBER	
7	1377173	0	100	0-0031894-0
7	1377173	1	100	0-0328996-0 OBSOLETE
7	1377173	2	100	0-0320619-0
7	1377173	3	100	0-0320565-0
7	1377173	4	100	0-0130094-0
7	1377173	5	100	0-0321045-0
7	1377173	6	100	0-0328998-0
7	1377173	7	50	0-0035108-0
7	1377173	8	50	0-0130171-0
7	1377173	9	50	0-0165034-0
8	1377173	0	50	0-0160298-0
8	1377173	1	50	0-0130207-0
8	1377173	2	100	0-0321035-0 OBSOLETE
8	1377173	3	100	0-0323011-0
8	1377173	4	100	0-0130522-0
8	1377173	5	100	0-0034541-0
8	1377173	6	100	0-0130517-0
8	1377173	7	100	0-0032053-0
8	1377173	8	100	0-0032498-0 OBSOLETE
8	1377173	9	100	0-0032054-0
9	1377173	0	100	0-0032562-0
9	1377173	1	100	0-0326861-0
9	1377173	2	100	0-0130527-0
9	1377173	3	100	0-0032058-0 OBSOLETE
9	1377173	4	100	0-0035559-0
9	1377173	5	100	0-0130532-0
9	1377173	6	100	0-0321233-0
9	1377173	7	100	0-0032059-0
9	1377173	8	100	0-0160170-0
9	1377173	9	100	0-0130537-0

NOTES:-

1. OBSOLETE PARTS: OBSOLETE CIS STREAMLINING PER D.RENAUD/D.SINISI

2. REFERENCE:


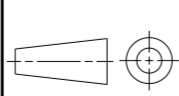
PN 1377172
 1377173
 1377174
 1377175

3. SHIPPER QTY = 20 X QTY/PLASTIC BOX

4. FOR PN 4-1377173-9 SHIPPER QTY IS 1400 PCS

← SUPERSEDED BY PARTNR. 4-1377173-5

← SUPERSEDED BY PARTNR. 4-1377173-7

THIS DRAWING IS A CONTROLLED DOCUMENT.		DWN RyHEUVEN	30JUNE06	 TE Connectivity	
DIMENSIONS: mm		CHK MyDRIEL	30JUNE06		
TOLERANCES UNLESS OTHERWISE SPECIFIED:		APVD MyDRIEL	30JUNE06	NAME SMALL PACK	
		PRODUCT SPEC		SIZE	
MATERIAL		APPLICATION SPEC		CAGE CODE	
-		-		DRAWING NO	
-		WEIGHT		A200779	
-		CUSTOMER DRAWING		G-1377173	
-		SCALE		RESTRICTED TO	
-		SHEET		REV	
-		1 OF 1		G	

Mouser Electronics

Authorized Distributor

Click to View Pricing, Inventory, Delivery & Lifecycle Information:

[TE Connectivity:](#)

[2-1377173-0](#)