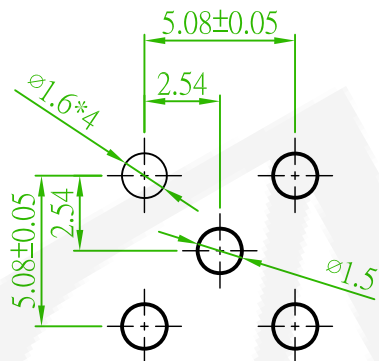
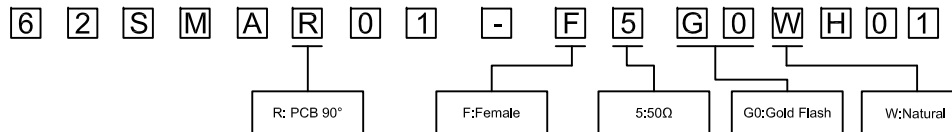


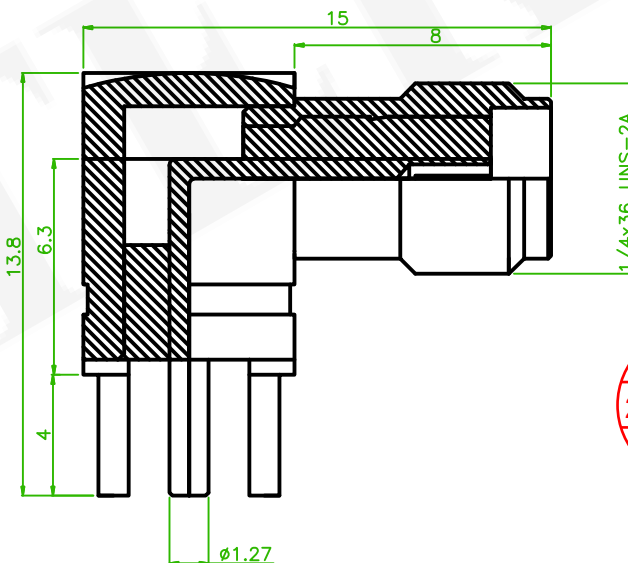
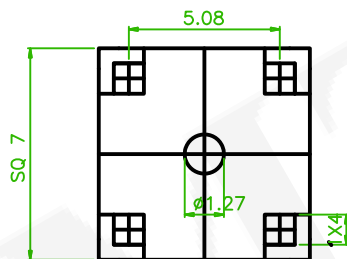
SPECIFICATION

OPERATION TEMPERATURE: -60°C to +250°C
 FREQUENCY RANGE: DC to 6GHZ
 WORKING VOLTAGE: 335 V Max
 WITHSTAND VOLTAGE: 1000V Rms
 DURABILITY: 500 Matings
 VSER: <math><1.10+0.002f</math>


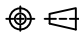
ORDER INFORMATION



RECOMMENDED MOUNTING HOLES



4	Ferrule	Brass with gold plated	1 PCS
3	Body	Brass with gold plated	1 PCS
2	Pin	Be CU with gold plated	1 PCS
1	Insulator	PTFE	1 PCS
ITEM	MATERIALS		QTY

 禮德精密有限公司 Amtek Technology Co., Ltd. TEL: 886-2-2260-6878 FAX: 886-2-2260-8030	品名 TITLE	SMA CONN. SERIES			頁數 Page	1/1
	品號 PART NO.	62SMAR01-F5G0WH01			繪圖 DRAWN	David 2020/02/14
	圖號 DRAWING NO.	GN085-DV776	版本 REV.	A	核對 CHECKED	Josh 2020/02/14
	客戶品號 CUSTOMER P/N		比例 SCALE	None	承認 APPROVED	Josh 2020/02/14
	公差 TOLERANCE	0.5~05± 0.2 06~30± 0.4	單位 UNIT	mm	THIRD ANGLE PROJECTION	

REV.	ECN NO. OR DESCRIPTION	REVISED	DATE
------	------------------------	---------	------