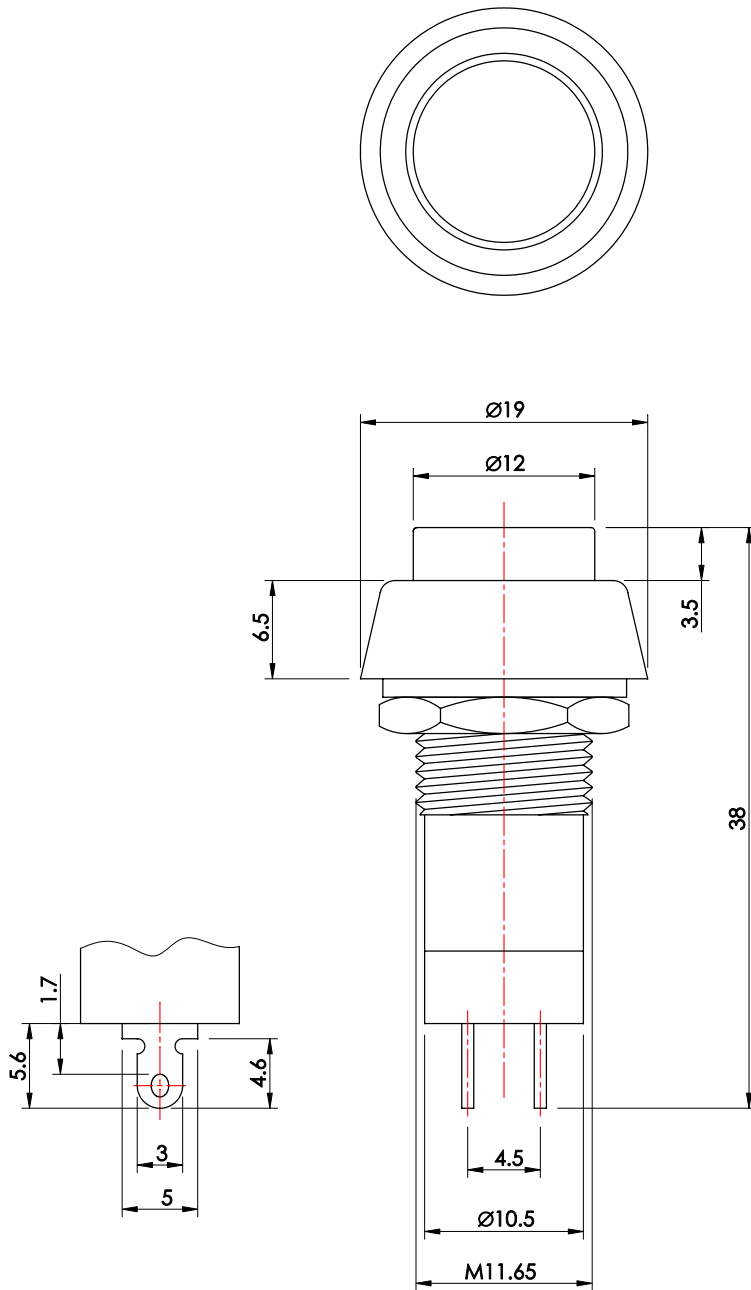


本圖面若與目錄之規格尺寸不符，以本圖面規格尺寸為主。  
Below is our main specification if different from catalog.



CONTACT AND TERMINAL MATERIAL		NUTS & WASHER	
<input type="checkbox"/>	Silver plated	<input type="checkbox"/>	Separate packing
R	Gold plated	1	Fixed on S/W

PB-10XXXX-G

FUNCTION		BUTTON COLOR	
A	OFF - ON	R	(Red)
B	OFF -(ON)	Y	Yellow
		O	Orange
		B	Black
		GN	Green
		W	White
		BU	Blue

RoHS compliant

( ): Standard

**SPECIFICATION**

- Rating: 3A 125V AC/1A 250V AC.
- Function: OFF-ON.
- Contact resistance: 30mΩ Max.(initial)
- Insulation resistance: 100MΩ Min. at 500V DC
- Withstand voltage: 1,000V AC for 1 minute.
- Electrical life: 5,000 Cycles.
- Mechanical life: 10,000 Cycles.
- Operating force: >0.3kg.
- Minimum load: 100mA 10V DC.(reference only)
- Terminal material: Copper alloy, Silver plated.
- Soldering temperature: 240°C Max. for 3 sec.
- Note: Unwashable, don't be immersed by epoxy and organic solvent.

產品 PRODUCT		Pushbutton Switch		型號 MODEL NO.		PB-10AGN1-G	
比例 SCALE	2 : 1	單位 UNIT	mm	<p>一綺電子企業股份有限公司 總公司：110 台北市信義路四段415號12樓之2 12F-2 NO. 415, SEC. 4, HSIN YI ROAD, TAIPEI, TAIWAN TEL : 886-2-27290229 (Rep.) FAX : 886-2-27582086 URL : http://www.switronic.com.tw E-MAIL : switches@ms36.hinet.net</p>			
公差 TOLERANCE	.X=±0.3mm, .XX=±0.2mm						
製圖 DRAWN BY	核圖 CHECKED BY	主管 APPROVED BY					
Chuck Young	Alex Lin	Margaret Lee					

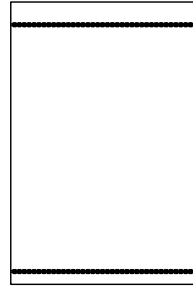
# 一綺電子企業股份有限公司

## SWITRONIC INDUSTRIAL CORP.

### 入料包裝方式 Packing for Products

#### 袋裝方式 Packing for polybag

成品  
Products



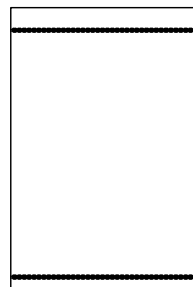
PE袋熱封  
Sealed for PE-bag

Packing for polybag : 100 pcs / polybag , Quantity thickness for polybag : 0.08 mm.

Quantity desiccating agent : 1 pcs , Quantity Styrofoam board : 0 pcs.

#### 袋裝方式 Packing for polybag

成品  
Products



PE袋  
PE-bag

Packing for polybag : \_\_\_\_\_ pcs / polybag.

Quantity thickness for polybag : \_\_\_\_\_ mm , Quantity desiccating agent : \_\_\_\_\_ pcs.

# 一綺電子企業股份有限公司 SWITRONIC INDUSTRIAL CORP.

## 產品綠色環保標章

"G" Mark for All RoHS Compliant Products

## 環保標章式樣

Initial "G": Standing for Green Label



## 外箱標示

Marked on The Outside of Carton As:

