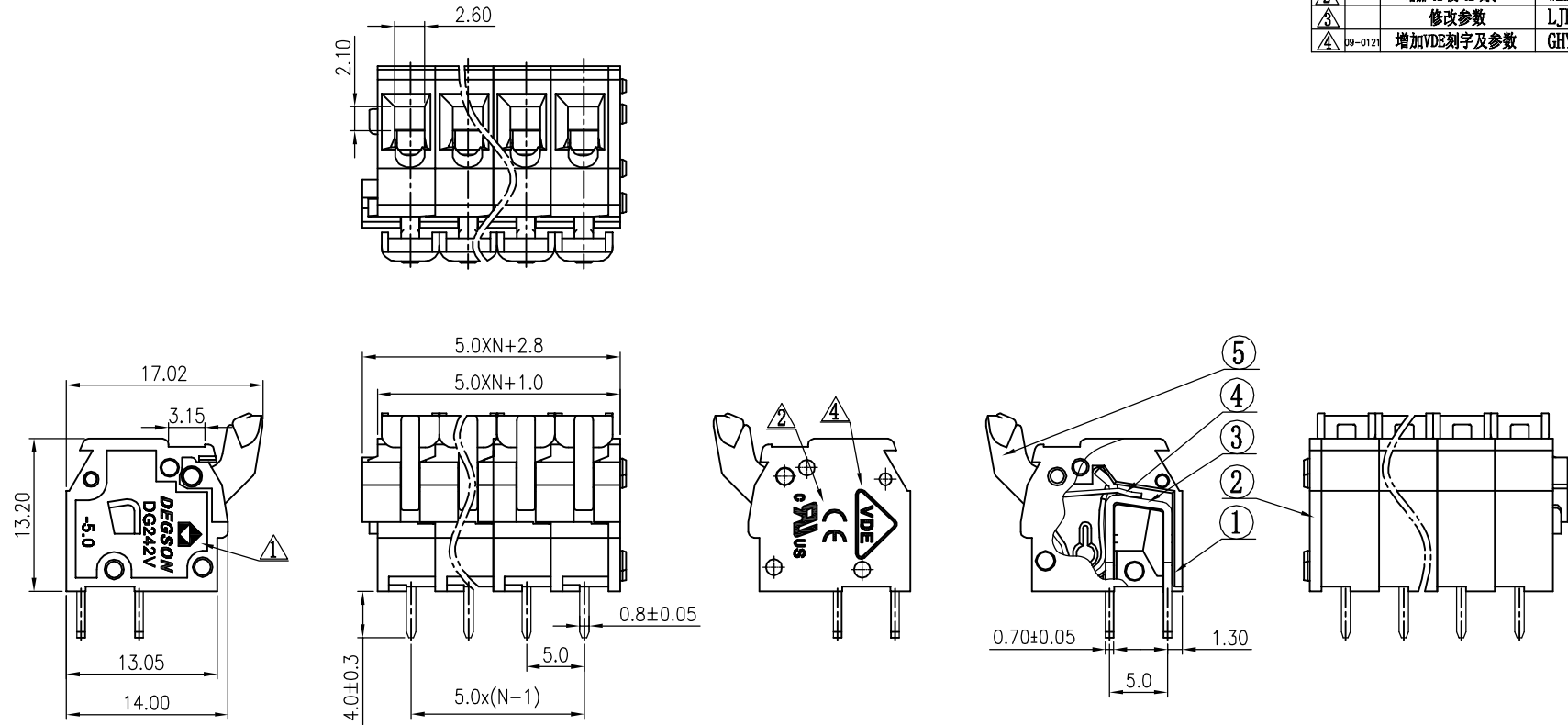


REVISION RECORD					
REV	ECO	DESCRIPTION	DRFT	DATE	
△		3024B0901A(H) → 3024D1701A(H) 增加“DEGSON”及品名刻字	Ye j	04/14/07	
△		增加“UL”及“CE”刻字	WLM	09/09/08	H
△		修改参数	LJH	12/16/08	
△	09-0121	增加VDE刻字及参数	GHY	11/23/09	



Notes:

1. Pitch: 5.0mm , Poles: XXP
2. Rated voltage/current: UL 300V/15A
VDE 450V/17A △
3. Operation temperatures: -40°C ~ +105°C
4. Withstanding Voltage: AC2000V/1min
5. Insulation Resistance: 5000MΩ / DC1000V
6. Wire Range: 28~12AWG, 0.2~2.5mm²
7. Undimensioned Tolerances:

Pitch range in mm			Nominal dimension range in mm							
to	over	to	to	over	over	over	over	over		
6	10	24	30	60	100	150			∩	
±0.10	±0.15	±0.25	±0.2	±0.3	±0.5	±0.7	±1.0	0.05/10	∇	

5	DG242V-Button	△3024D1701A (H)	XX	POM	UL94HB
4	DG242V-Shrapnel	X000000990 (H)	XX	Stainless steel	
3	DG242V-Pin header	3024B00010 (H)	XX	Phosphor bronze	SnCe Plated
2	DG242V-Cover	3024C0Y01A (H)	1	PA66	UL94Y-0
1	DG242V-5.0-Housing	3024A0Y01A (H)	XX	PA66	UL94Y-0
ITEM	NAME OF PART	NO. OF PART	Q'TY	MATERIAL	NOTES

DETACHED LISTS	MM (INCH)	DFTO ExpAny	DATE 04/11/06	宁波高正电子有限公司 DEGSON ELECTRONICS CO., LTD
	TOLERANCES EXCEPT AS NOTED	CHKD	DATE	
		MFO	DATE	
		APPVL	DATE	
	MM			NAME
	.0 ±	±		DG242V-5.0-XXP-1Y-00A(H)
	.00 ±	±		DRAWING NO. DG242V-5.0-E01
	.000 ±	±		/PART NO.
	ANGLES ± 1°	G.E :		SIZE
	THIRD ANGLE PROJECTION	FINISH :		A3
		SCALE : 1:1		REV T4
			DO NOT SCALE DRAWING	11/23/08
			SHEET 1	OF 1