

REV.	ECN NO.	DESCRIPTION	SIGN	DATE
D1	N/A	INITIAL DRAWING	Wu.Xi	2013/04/10

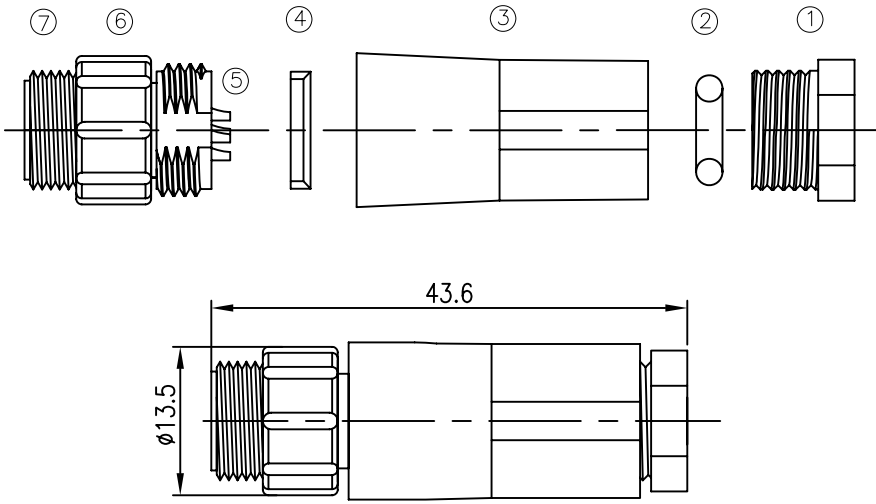


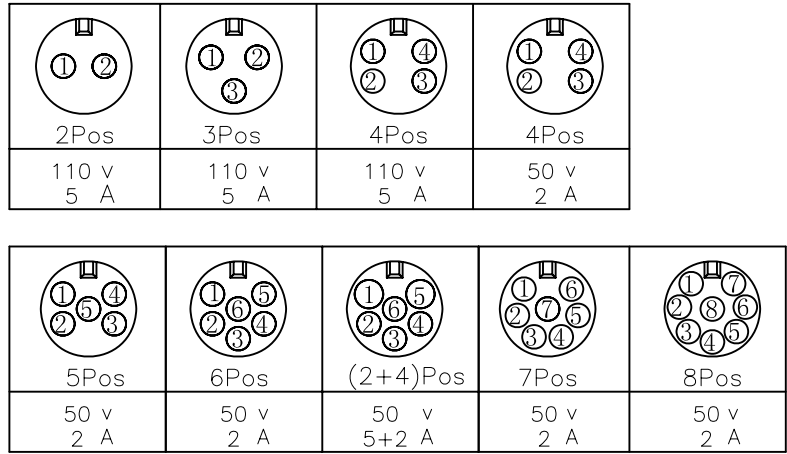
Table 1

Position No.	Connector Part No.	7 Housing Part No.	5 Contact		
			Contact Part No.	Q'ty	Contact Description
2	21002311-01	103-00069-00	301-00009-02	2	XPφ1.0
3	21003311-01	103-00073-00	301-00009-02	3	XPφ1.0
4	21004311-01	103-00079-00	301-00009-02	4	XPφ1.0
4	21004311-02	103-00077-00	301-00003-02	4	APφ0.8
5	21005311-01	103-00085-00	301-00003-02	5	APφ0.8
6	21006311-01	103-00089-00	301-00003-02	6	APφ0.8
2+4	21204311-01	103-00065-00	301-00009-02	2	XPφ1.0
			301-00003-02	4	APφ0.8
7	21007311-01	103-00093-00	301-00003-02	7	APφ0.8
8	21008311-01	103-00097-00	301-00003-02	8	APφ0.8

Specification:

- 1.Operation temperature:-45°C~105°C.
- 2.Insulation resistance:100MΩ at DC500V.
- 3.Contact resistance:<10mΩ.
- 4.Waterproof:IP67.
- 5.RoHS compliant.
- 6.Mating Waterproof Cap P/N:806-00028-00.
- 7.Mating Connector P/N:21XXX211-XX or 21XXX213-XX-001 or 21XXX214-XX-001.

Table 2 (Hole Arrangement, Mating Face)



Material List

No.	Material No.	Q'ty	Material Description	Remark
1	109-00003-00	1	Mini Seals Nut	
2	501-00009-00	1	O-ring φ10*2.4	
3	108-00022-00	1	Mini Clamp Ring	
4	503-00020-00	1	103 Gasket	
5	See above table 1		Contact	
6	114-00002-00	1	Mini Nut Converter	
7	See above table 1	1	Mini-XX Pos Housing	

UNIT:mm		Description
TOLERANCE	.X ±0.25 .XX ±0.15 .XXX ±0.05 ANGLES ±1°	Mini Series Screw Assembled, Pin Female Connector
SCALE: N/A	SHEET 1 OF 1	
REV. D1	SIZE A4	* :Inspection Item

CHOGORI

PART NO	21XXX311-01(02)	DRAWN BY	Wu.Xi	DATE	2013-04-10
DWG NO		CHECKED BY		DATE	
CUSTOMER		APPROVED BY		DATE	

THIS INFORMATION IS CONFIDENTIAL AND IS DISCLOSED TO YOU ON CONDITION THAT NO FURTHER DISCLOSURE IS MADE BY YOU TO OTHER THAN CHOGORI PERSONNEL WITHOUT AUTHORIZATION FROM CHOGORI CORP.