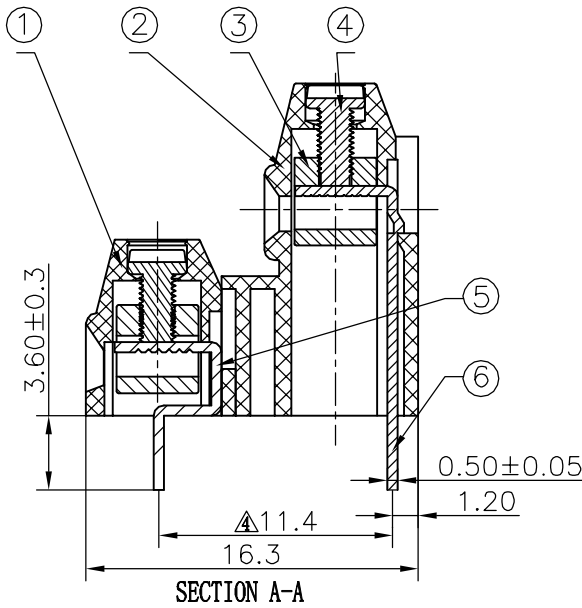
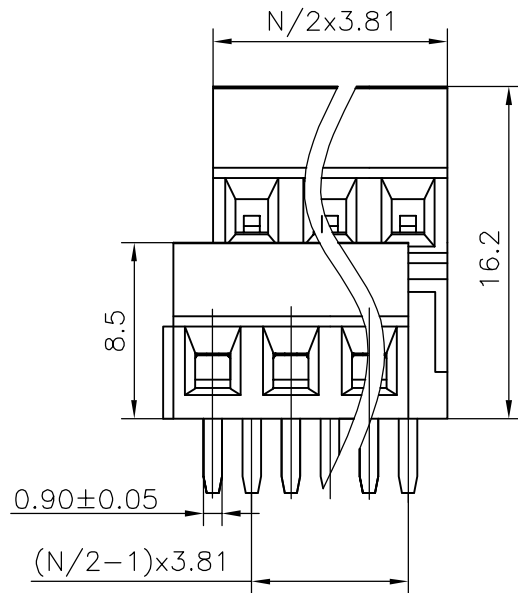


REVISION RECORD				
REV	ECO	DESCRIPTION	DRFT	DATE
△		Drawing Revise	Haoyh	03/08/06
△		增加RoHS标示	CSX	12/10/07
△		修改线数: 改为每个焊脚代表一线	LJH	03/22/08
△	09-0129	与实物相符	Wupeng	11/14/09



- Notes:
- Pitch: 3.81mm , Ploes: XXP
  - Rated volatge/current: UL 300V/10A  
VDE 130V/10A
  - Operation temperatures: -40° C~+105° C
  - With standing voltage: AC2000V/1min
  - Insulation resistance: 5000MΩ/DC1000V
  - Wire range: 26~16AWG, 1.5mm<sup>2</sup>
  - Max. Torque Value: M2, 2.04kgf.cm
  - Undimensioned Tolerances:

Pitch range in mm		Nominal dimension range in mm						
	over 6	over 10	over 30	over 60	over 100	over 150	—	
to 6	to 10	to 24	to 30	to 60	to 100	to 150	∩ ∇	
±0.10	±0.15	±0.25	±0.2	±0.3	±0.5	±0.7	±1.0	
							0.05/10	

ITEM	NAME OF PART	NO. OF PART	Q'TY	MATERIAL	NOTES
6	DG381H Pin header	4033B00010 (H)	△	XX/2	phosphor bronze SnCe
5	DG381 Pin header	4047B00010 (H)	△	XX/2	phosphor bronze SnCe
4	DG381 Screws	S000001440 (H)	△	XX	Steel Cr <sup>3+</sup> Zn
3	DG381 Cage	X000000300 (H)	△	XX	Brass Ni plated
2	DG381H-3.81-Housing	4033A0Y (XX/2) A (H)	△	1	PA66 UL94V-0

1	DG381-3.81-Housing	△	4047A0Y (XX/2) A (H)	1	PA66	UL94V-0	
ITEM		NAME OF PART		NO. OF PART	Q'TY	MATERIAL	NOTES
DETAILED LIST		DFTO Wupeng		DATE 11/14/09	宁波高正电子有限公司 DEGSON ELECTRONICS CO., LTD		
TOLERANCES EXCEPT AS NOTED		CHKD		DATE	NAME		
MM		MFO		DATE	DG381B-3.81-XXP-1Y-00A(H)		
.0 ±		APPVL		DATE	DRAWING NO. DG381B-3.81-E01		
.00 ±		MATERIAL :		SIZE A3			
.000 ±		G.E. :		REV T4			
ANGLES ± 1°		FINISH :		11/14/09			
THIRD ANGLE PROJECTION		SCALE : 1:1		DO NOT SCALE DRAWING		SHEET 1 OF 1	