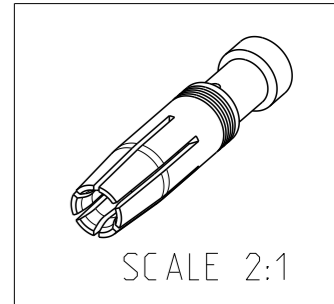
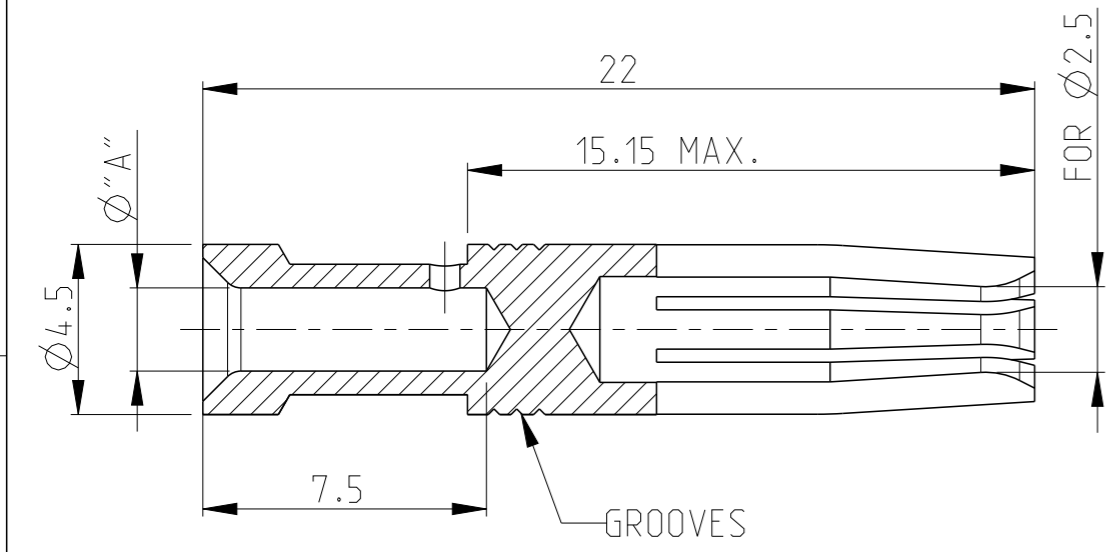


THIS DRAWING IS UNPUBLISHED. RELEASED FOR PUBLICATION 2006
 © COPYRIGHT 2006 BY - ALL RIGHTS RESERVED.

| LOC | DIST | REVISIONS | | | |
|-----|------|---------------------------|-----------|-----|------|
| P | LTR | DESCRIPTION | DATE | DWN | APVD |
| | J4 | REVISED PER ECO-11-005030 | 24MAR2011 | RK | HMR |
| | J5 | ECR-15-003938 | 26MAR2015 | RK | MKO |



Notes

- 1 MATERIAL: BRASS
- 2 FINISH SILVER PLATING: 2 µm Ag MIN. OVER Cu
- 3 FINISH GOLD PLATING: 0.75 µm Au MIN. OVER Ni
- 4 FINISH TIN PLATING: 0.6 µm Sn. MIN. OVER Cu
- 5 VENTILATION HOLE PRESENT ON ALL PARTS
- 6 WEIGHT: 0.00160 kg, PER PIECE (APPROX.)
- 7 PACKAGING: 50 PIECES IN POLYBAG
- 8 PACKAGING: 500 PIECES IN POLYBAG & CARTON
- 9 PACKAGING: 20000 PIECES IN POLYBAGS & CARTONS
- 10 SUITABLE PIN CONTACT: PN 1105100
- 11 SUITABLE INSERTS: SERIES HA, HE, HVE, HVS
- 12 SUITABLE CRIMP TOOL: PN 1-1105851-8
- 13 SUITABLE INSERTION TOOL: PN 0-1102855-6
- 14 SUITABLE EXTRACTION TOOL: PN 0-1102855-7
- 15 STANDARDS: DIN EN 61984, DIN EN 60664-1

| | | 7 | 8 | 9 | | | |
|----------------------------------------|----------|--------------------|------|---------------|---------|----------|------------|
| HE/HA-C-Bu.Sn 4,0mm ² | TIN 4 | 4.0 | 2.8 | - | - | 5-0 | 5-3 |
| HE/HA-C-Bu.Sn 2,5mm ² | | 2.5 | 2.2 | 3 | - | 4-0 | 4-3 |
| HE/HA-C-Bu.Sn 1,5mm ² | | 1.5 | 1.7 | 2 | - | 3-0 | 3-3 |
| HE/HA-C-Bu.Au 4,0mm ² | GOLD 3 | 4.0 | 2.8 | - | 5-2 | 5-9 | - |
| HE/HA-C-Bu.Au 2,5mm ² | | 2.5 | 2.2 | 3 | 4-2 | 4-9 | - |
| HE/HA-C-Bu.Au 1,5mm ² | | 1.5 | 1.7 | 2 | 3-2 | 3-9 | - |
| HE/HA-C-Bu.Au 0,75-1,0mm ² | | 0.75-1.0 | 1.4 | 1 | 2-2 | 2-9 | - |
| HE/HA-C-Bu.Au 0,5mm ² | | 0.5 | 1.1 | - | 1-2 | 1-9 | - |
| HE/HA-C-Bu.Au 0,14-0,37mm ² | | 0.14-0.37 | 0.9 | 3 | 6-2 | 6-9 | - |
| HE/HA-C-Bu.Ag 4,0mm ² | SILVER 2 | 4.0 | 2.8 | - | 5-1 | 5-8 | - |
| HE/HA-C-Bu.Ag 2,5mm ² | | 2.5 | 2.2 | 3 | 4-1 | 4-8 | - |
| HE/HA-C-Bu.Ag 1,5mm ² | | 1.5 | 1.7 | 2 | 3-1 | 3-8 | - |
| HE/HA-C-Bu.Ag 0,75-1,0mm ² | | 0.75-1.0 | 1.4 | 1 | 2-1 | 2-8 | - |
| HE/HA-C-Bu.Ag 0,5mm ² | | 0.5 | 1.1 | - | 1-1 | 1-8 | - |
| HE/HA-C-Bu.Ag 0,14-0,37mm ² | | 0.14-0.37 | 0.9 | 3 | 6-1 | 6-8 | - |
| | | [MM ²] | "A" | NO.OF GROOVES | P.U.=50 | P.U.=500 | P.U.=20000 |
| ORDERING TEXT | PLATING | CROSS SECTION | DIMS | MARKINGS | BAG | BOX | BOX |

PARTS LIST

| | | | | |
|-----------------------------------------------------------------------------------------------------------|--|-----------------------------|-----------------------------------|---------------------|
| THIS DRAWING IS A CONTROLLED DOCUMENT. | | DWN G.WROBLEWSKI 20SEP2007 | TE Connectivity | |
| DIMENSIONS: mm | | CHK H.BRAUN 20SEP2007 | | |
| TOLERANCES UNLESS OTHERWISE SPECIFIED: <small>ISO 8075 DIN ISO 2768 mH-E DIN 16901-120</small> | | APVD T.SCHNURPFIL 20SEP2007 | NAME | |
| | | PRODUCT SPEC 108-74004 | SOCKET CONTACT SERIES HA, HE, HVE | |
| MATERIAL 1 | | APPLICATION SPEC 114-74003 | SIZE A3 | CAGE CODE 00779 |
| FINISH 2 3 4 | | WEIGHT - | DRAWING NO C=1105101 | RESTRICTED TO - |
| Customer Drawing | | | SCALE 5:1 | SHEET 1 OF 1 REV J5 |

Mouser Electronics

Authorized Distributor

Click to View Pricing, Inventory, Delivery & Lifecycle Information:

[TE Connectivity:](#)

[2-1105101-1](#)