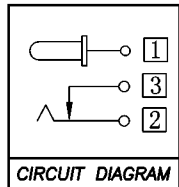
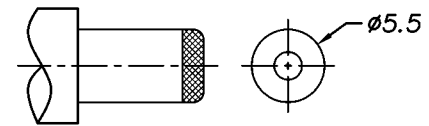
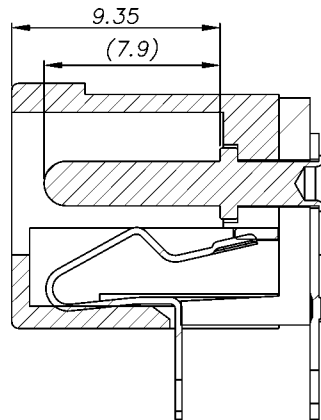


P. C. B Layout  
(Copper-sided view)



□ : TERMINAL NO.



DC MATE PLUG

MODEL NO.	PIN
DS-210B	$\phi 2.0$
DS-210A	$\phi 2.5$