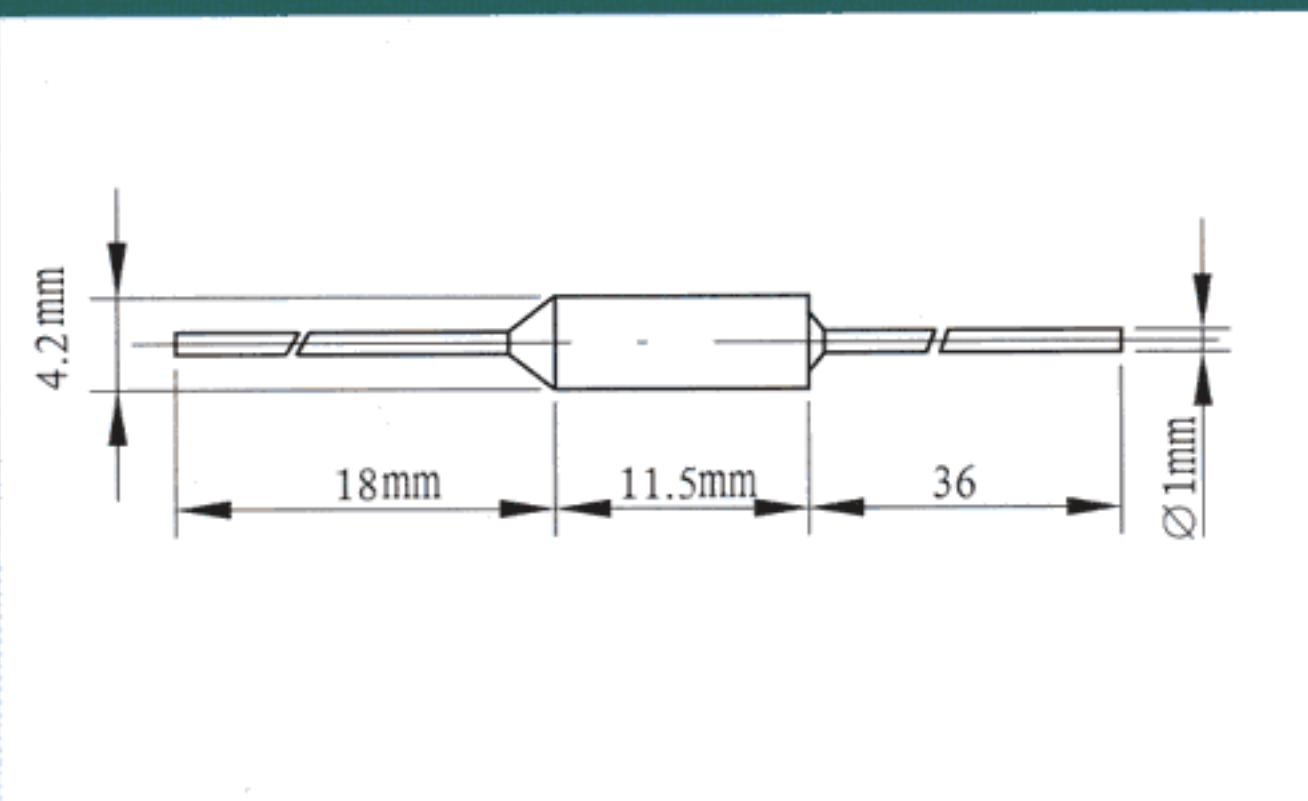
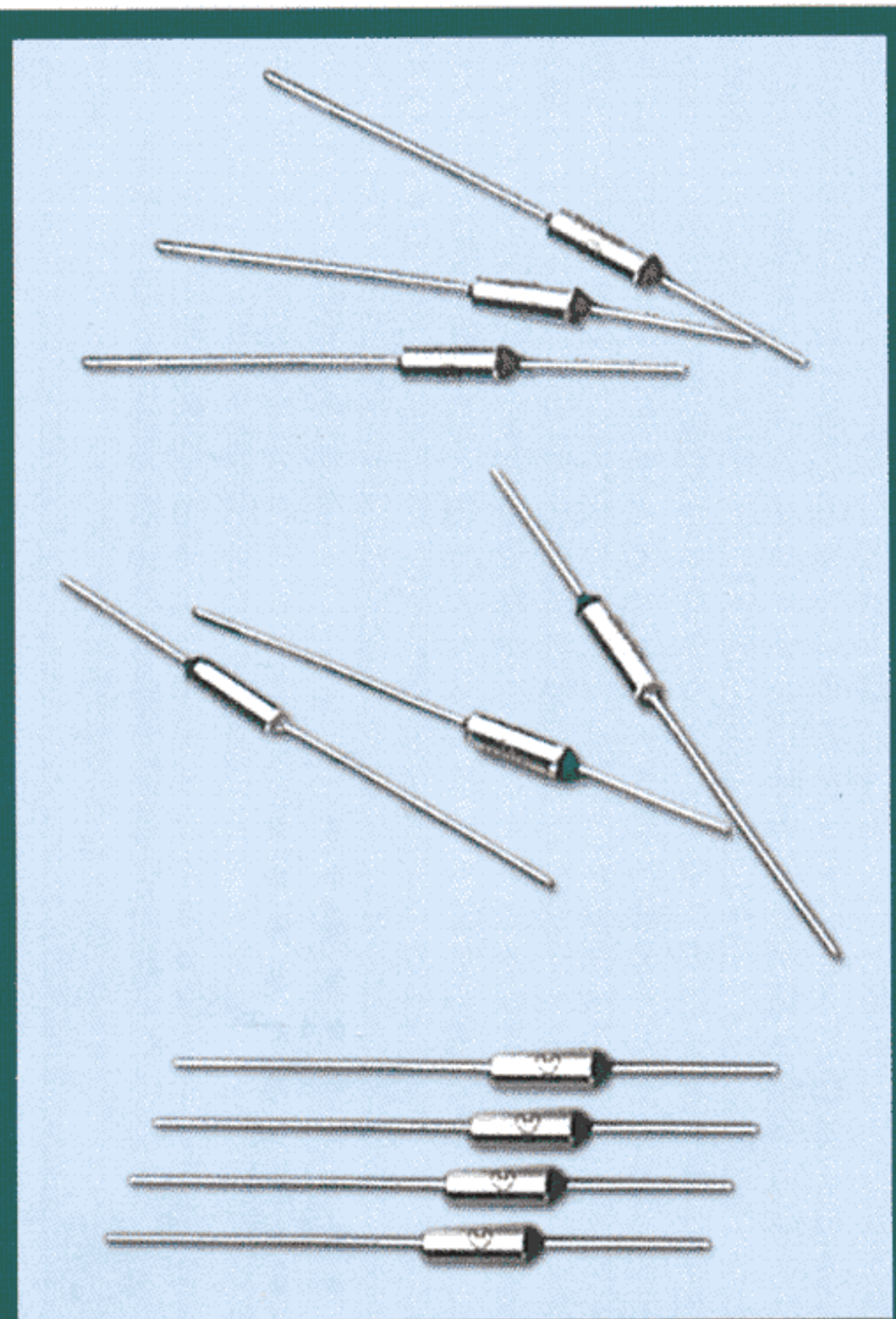


# TH (TH SERIES)

## THERMAL CUT OFF



Catalog No.	Rated Functioning Temp. Tf(°C)	Fusing-Off Temp. (°C)	Holding Tc (°C)	Max Temp. Limit Tm (°C)	Voltage Ac (V)	Current (A)	APPROVALS		
							CCC	VDE	UL
TH-55	55	52 ± 2	35	120	250	10, 15			
TH-66	66	62 ± 2	40	120	250	10, 15	●		
TH-72	72	68+2/-3	45	120	250	10, 15			
TH-77	77	73 ± 2	45	120	250	10, 15	●		
TH-84	84	80 ± 2	55	150	250	10, 15	●		
TH-94	94	92 ± 2	65	150	250	10, 15			
TH-99	99	97+2/-3	65	150	250	10, 15	●		
TH-105	105	101 ± 3	70	150	250	10, 15	●		
TH-110	110	106 ± 2	75	150	250	10, 15	●		
TH-113	113	110+2/-3	80	150	250	10, 15	●		
TH-121	121	119+2/-3	90	180	250	10, 15	●		
TH-123	123	120+2/-3	90	180	250	10, 15			
TH-128	128	124 ± 3	90	180	250	10, 15	●		
TH-133	133	130 ± 3	100	180	250	10, 15	●		
TH-139	139	137 ± 2	105	180	250	10, 15	●		
TH-142	142	140+2/-3	112	180	250	10, 15	●		
TH-152	152	149 ± 3	115	200	250	10, 15	●		
TH-157	157	153+2/-3	115	200	250	10, 15	●		
TH-167	167	165+2/-3	135	200	250	10, 15	●		
TH-172	172	170 ± 2	140	200	250	10, 15	●		
TH-184	184	182 ± 2	150	220	250	10, 15	●		
TH-192	192	190+2/-5	165	220	250	10, 15	●		
TH-198	198	193 ± 5	170	250	250	10, 15	●		
TH-210	210	205 ± 5	170	250	250	10, 15			
TH-216	216	210 ± 5	175	250	250	10, 15	●		
TH-223	223	220+2/-5	180	260	250	10, 15			
TH-228	228	225 ± 3	195	260	250	10, 15	●		
TH-235	235	230 ± 4	195	260	250	10, 15			
TH-240	240	235 ± 3	200	260	250	10, 15	●		
TH-250	250	245 ± 5	200	280	250	10, 15			
TH-255	255	250 ± 5	200	280	250	10, 15			
TH-320	320	310+5/-10	250	350	250	10, 15			

● DENOTES FOR APPROVED