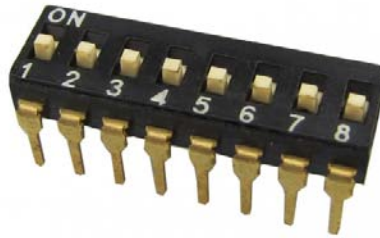




## CDH Series Through Hole Type DIP Switch 2.54



CDH Series dip switch from 1 to 12 position options, 2.54mm pitch, terminal copper alloy, golden plated.

Item NO.:	CDH Series Through H
Order(MOQ):	2000pcs
Payment:	100% T/T Before Production
Product Origin:	Zhejiang
Color:	Black
Shipping Port:	Ningbo/Shenzhen
Lead Time :	7 Working Days After Payment

### Technical parameters

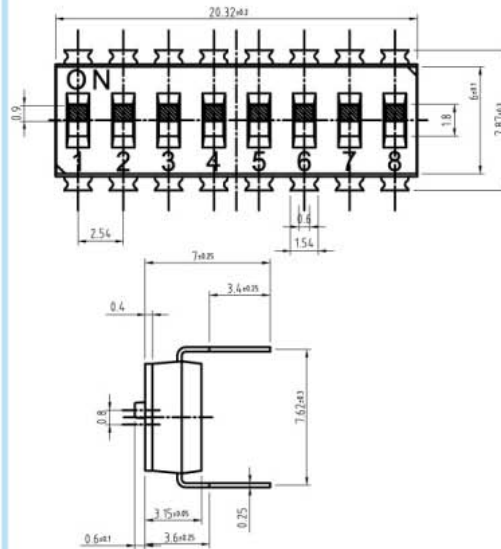
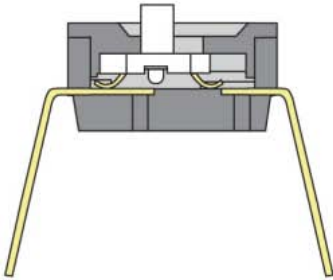
- 1.Electrical Life : 2000 operations cycles per switch 24 VDC, 25mA
- 2.Non-Switching Rating : 100mA, 50VDC
- 3.Switching rating : 25mA, 24VDC
- 4.Contact resistance : (a) 50 m $\Omega$  max. at initial (b)100m $\Omega$ max. after life test
- 5.Insulation Resistance : 100M $\Omega$ , 500VDC
- 6.Dielectric Strength : 500VAC1 minute
- 7.Capacitance : 5pF max
- 8.Circuit : Single pole single throw
9. Operation Force :6.0N Max

## Dimension

### CDH SERIES SLIDE TYPE



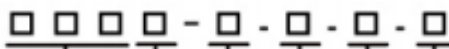
### CONTACT SYSTEM



MODEL NO.	NO. POS	A
CDH-02	2	2.54
CDH-03	3	5.08
CDH-04	4	7.62
CDH-05	5	10.16
CDH-06	6	12.70
CDH-07	7	15.24
CDH-08	8	17.78
CDH-09	9	20.32
CDH-10	10	22.86
CDH-12	12	25.40

Schematic(TYP.)  
  
 (2,3,4,5,6,7,8,9,10,12, POS AVAIL)

## Order code



### Package Style:

□ = Tube  
 T/R= Tape & Reel

### Soldering:

V = Lead Free Solderable

### Seal:

□ = Regular  
 T = Top Tape Sealed <Recessed Actuator Only>

### Number Of Positions:

01 = 1 Position  
 02 = 2 Position  
 03 = 3 Position  
 04 = 4 Position  
 05 = 5 Position  
 06 = 6 Position  
 07 = 7 Position  
 08 = 8 Position  
 09 = 9 Position  
 10 = 10 Position  
 12 = 12 Position

### Actuator Type:

□ = Raised Actuator  
 R = Recessed Actuator

CDH = Through Hole Type Dip Switch

CDM = Gull Wing Terminal S.M.T