

F MALE TWIST ON RG58/U 花二溝

B	SHELL	1	BRONZE				
A	BODY	1	BRONZE				
NO.	DESCRIPTION	QTY	MATERIAL	SPECIFICATION			REMARK
DRAW BY	CHUN	031309	SCALE	1 : 2			TL4390-58-BDNN
DEGN BY	YANG						(RG58U)
APPD BY	RAY		UNIT	MM			

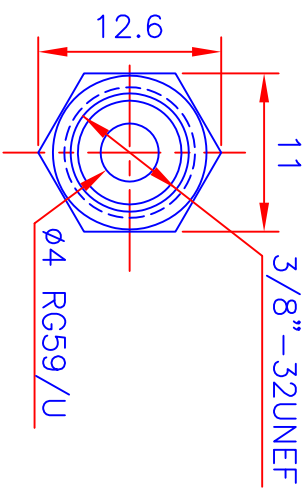
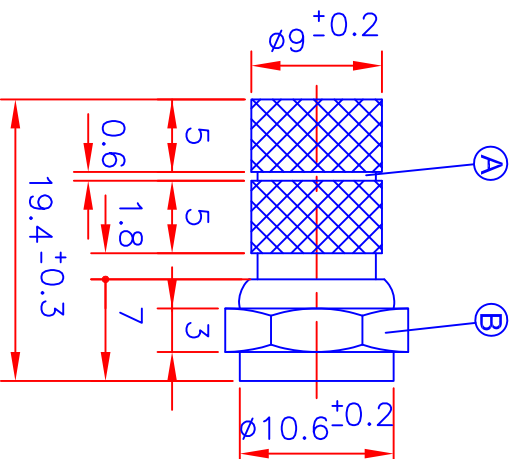
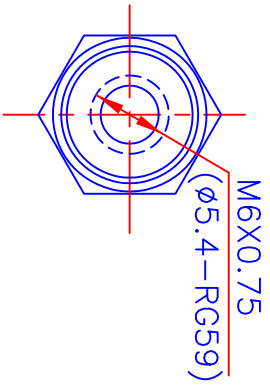
同利企業有限公司

TELE LONG ENTERPRISE CO.,LTD

DATE DRAWG BY REVISED

DWG NO.

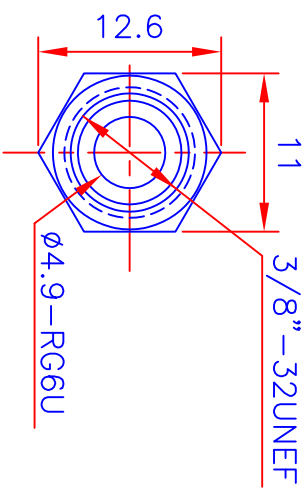
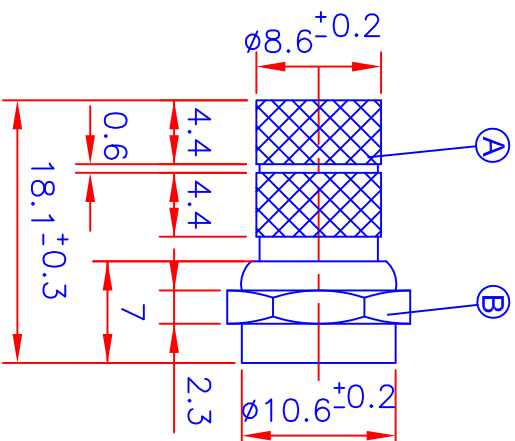
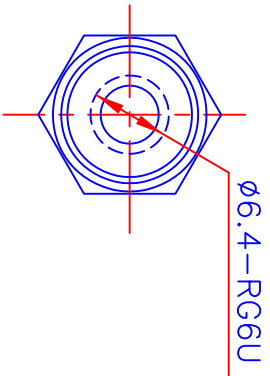
TL4390-58-BDNN-TN06-A2



F MALE TWIST ON RG59/U 花一溝

B	SHELL	1	BRONZE				
A	BODY	1	BRONZE				
NO.	DESCRIPTION	QTY	MATERIAL	SPECIFICATION			REMARK
DRAW BY	CHUN	031309	SCALE	1 : 2			TL4390-59-BDNN
DEGN BY	YANG						(RG59U)
APPD BY	RAY		UNIT	MM	PROJ		F MALE TWIST ON

DATE	DRAWG BY	REVISED	△	同利企業有限公司	TELE LONG ENTERPRISE CO.,LTD	DWG NO.	TL4390-59-BDNN-TN06(F-7210B)-A2
------	----------	---------	---	----------	------------------------------	---------	---------------------------------



F MALE TWIST ON RG6U 花一溝

B	SHELL	1	ZINC						
A	BODY	1	ZINC						
NO.	DESCRIPTION	QTY	MATERIAL	SPECIFICATION					REMARK
DRAW BY	CHUN	091609	SCALE	1 : 2					
DEGN BY	YANG								
APPD BY	RAY		UNIT	MM					

同利企業有限公司 TELE LONG ENTERPRISE CO.,LTD

DATE	DRAWG BY	REVISED	
------	----------	---------	--

DWG NO.	TL4390-6-ZDNN-18mm -CN19-(HLB-3005)-A1
---------	---