

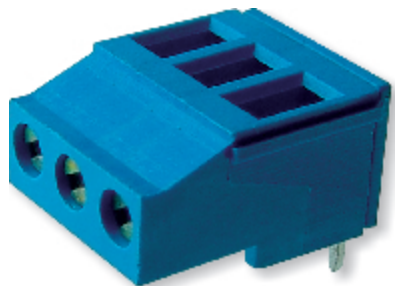
# Series 371

## Terminal Blocks for PC-Boards Machined Type Insert (371系列)

印刷線路板用接線端子座 - 車床銅柱

Top Wire Inlet Type - Side Screw, Spacing 5.0mm or 10.0mm,  
Height Over PC-Board 10.5mm

頂部入線型 - 前方操作 · 間距5.0mm或10.0mm · 殼體高度10.5mm



371-031-12-00



Machined Type Insert

Series 371

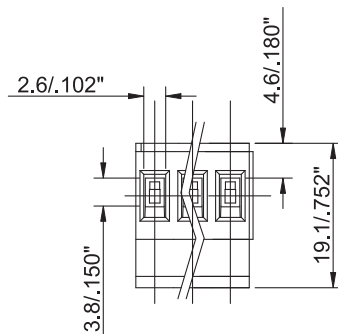
Terminal Blocks Catalog

**\*\* Notice:**  
To avoid accumulating tolerance-variations of Terminal Blocks, limit the number of contacts to no more than 24 contacts per row

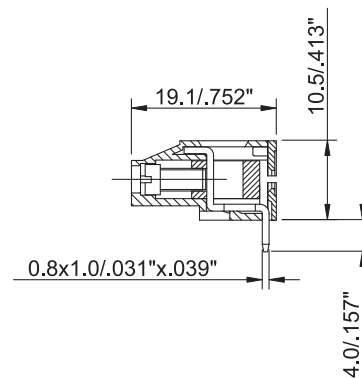
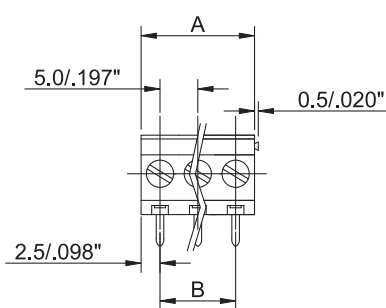
**Recommended PC-Board-Holes**  
diameter :  $\varnothing 1.2\text{mm}$  to  $\varnothing 1.4\text{mm}$   
n = number of contacts

\*\* 為防止累積公差過大，接線端子座建議每排不超過24位

建議底孔直徑： $\varnothing 1.2\text{mm}$  至  $\varnothing 1.4\text{mm}$   
n = 觸點的數量



PITCH	Dimension A	Dimension B
5mm	n x 5	(n - 1) x 5
10mm	n x 10	(n - 1) x 10



### SPECIFICATIONS 技術資料

#### MATERIAL 材料

- **Contact 觸點(metal housing 金屬殼體):**  
Brass, Tin plated / 黃銅 · 銅錫電鍍
- **Terminal Screw 螺絲:**  
Steel galvanized and chromated / 鋼 · 五彩電鍍
- **Surface of Solder Tail 針腳電鍍:**  
Tin plated / 鍍錫
- **Insulator Body 絕緣體(housing 殼體)**  
Poly Butylene Terephthlene, PBT (30% Glass filled) (UL 94 V-0)

#### ELECTRICAL 電機方面

- **Current Rating 工作電流:** 20 Amp
- **Dielectric Strength 電介質:** 2500V
- **Rated Voltage 額定電壓:** 300V
- **AWG 適用線號:** 22 - 14
- **Resistance to Tracking 絕緣阻值:** 5M $\Omega$
- **Insulation Withstands Voltage 耐電壓:** AC1500V/Min
- **Conductor Size 適用線徑範圍:** 0.5 - 4.0mm<sup>2</sup>
- **Stripping Length 剝線長度:** 7.5 - 8.0mm

#### MECHANICAL 機械方面

- **Operating Temperature 工作溫度:** -30°C to +120°C
- **Short Time Peak Temperature 短暫能容溫度:** +200°C max

### HOW TO ORDER 排序整理

