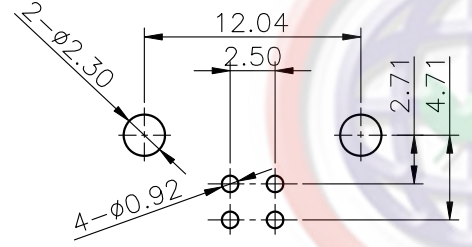
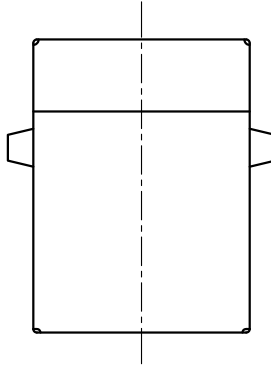
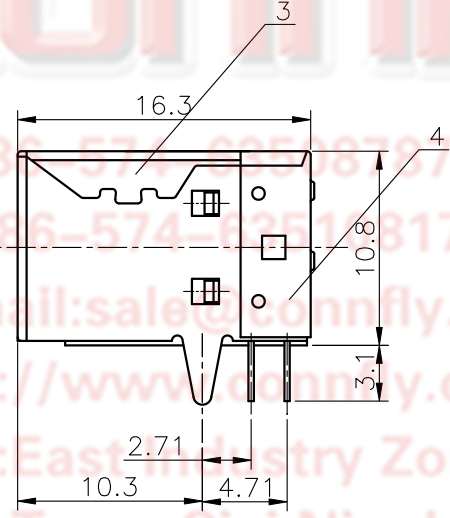
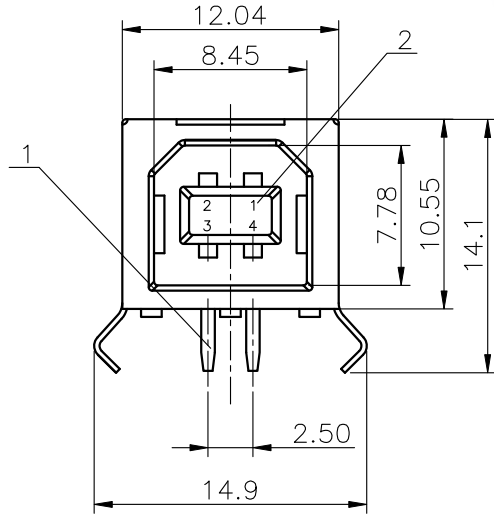


REV.	DESCRIPTION	DRAWN	CHECKED	APPROVED
A	NEW RELEASE	LJH 05/10/05'		LJC 05/10/05'
B	ADD SHELL MATERIAL TYPE	JLZ 04/09/15'		



RECOMMEND PCB LAYOUT
TOLERANCE=±0.05



NOTES:

- SPECIFICATIONS:
 - 1.0 CONTACT RESISTANCE:30mΩ max.
 - 1.1 INSULATION RESISTANCE:1000MΩ min.
 - 1.2 CURRENT RATING:1.5A.
 - 1.3 VOLTAGE RATING:30VDC.
 - 1.4 DIELECTRIC WITHSTANDING VOLTAGE:AC 500V FOR 1 Minute.
 - 1.5 OPERATING TEMPERATURE: -25*TO +85*.

- MATERIALS:
 - 2.0 HOUSING:PBT+30% GLASS FIBER(UL 94-0).
 - 2.1 CONTACT:COPPER ALLOY
 - 2.2 SHELL:COPPER ALLOY OR STEEL.

3. PRODUCT NUMBER CODE:

DS1099 - X X X - X

- MATERIAL OF SHELL (B)
 - Fe: Steel
 - N/A: Copper Alloy
- CONTACT PLATING
 - 0: Selective Gold Flash
 - 03: Selective Gold 3u"
 - 30: Selective Gold 30u"
- SHELL PLATING
 - N: Nickel
 - 6: Tin
- COLOR OF HOUSING:
 - W: WHITE
 - B: BLACK
- SERIES No.
 - DS1099 series

CONNFLY
Tel:86-574-89518797
Fax:86-574-82518317
E-mail:sales@connfly.com
http://www.connfly.com
Add:East Industry Zone KuangYan
Town Cixi Ningbo China
P.C:315333

				GENERAL TOLERANCE	ANGLE TOLERANCE	PROJECTION	TITLE	USB B TYPE R/A DIP TYPE	
4	BACK SHELL	STEEL	SEE NOTES	X. ±0.60 .X ±0.38 .XX ±0.25	X. ±5° .X ±3° .XX ±2°	UNITS	mm	SHEET	1 OF 1
3	FRONT SHELL	COPPER ALLOY OR STEEL	SEE NOTES			SHEET SIZE	A4	SERIES	DS1099 SERIES
2	HOUSING	PBT	UL 94 V-0	DRAWING TYPE	CUSTOMER	晨翔电子有限公司 CONNFLY CONNFLY ELECTRONIC CO., LTD			
1	CONTACT	COPPER ALLOY	SEE NOTES	SCALE	1:1				
ITEM	PART NAME	MATERIALS	FINISHED	DRAWING NO.	C-DS1099-XXX-X-B				