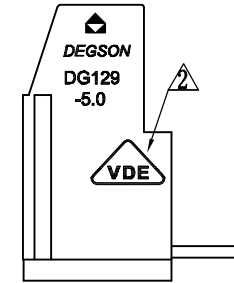
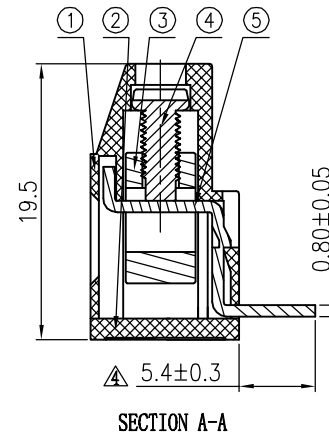
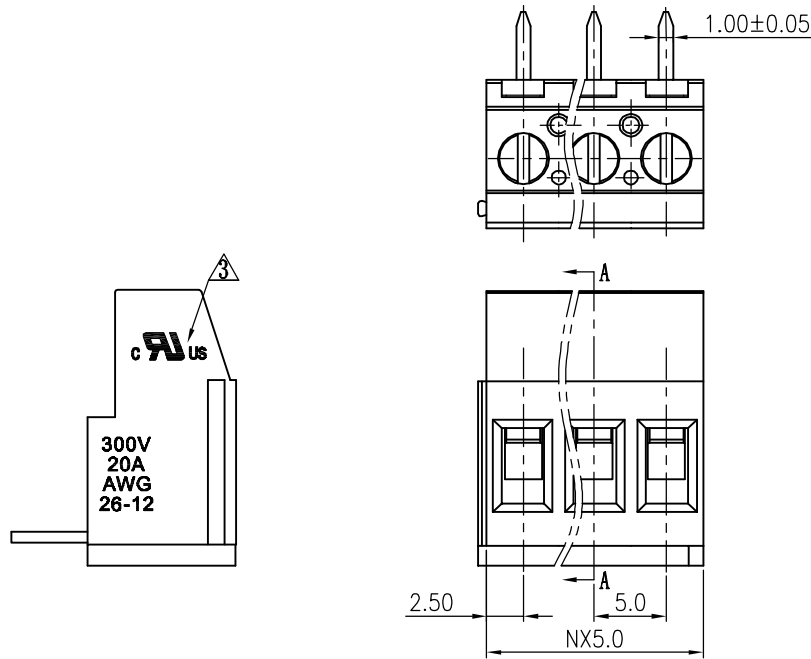
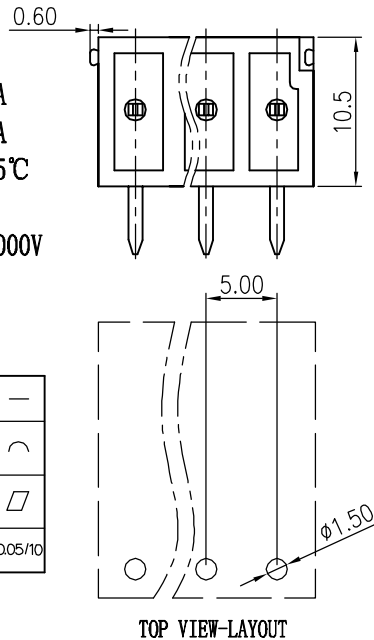


REVISION RECORD				
REV	ECD	DESCRIPTION	DRFT	DATE
△		Drawing Revise	Haoyh	06/12/06
△		增加VDE刻字	C SX	01/12/07
△		UL标志中去掉小R	C SX	08/09/07
△		修改出脚尺寸5.1为5.4	LJH	04/25/09



Notes:

1. Pitch:5.0mm ,Poles:2-XXP
2. Rated voltage/current:UL 300V/20A  
VDE 250V/20A
3. Operation temperatures:-40°C~+105°C
4. Withstanding Voltage:AC2000V/1Min
5. Insulation Resistance:5000MΩ/DC1000V
6. Wire Range:26~12AWG, 0.5-2.5mm<sup>2</sup>
7. Max. Torque Value:M3, 5.1kgf.cm
8. Undimensioned Tolerances:



Pitch range in mm		Nominal dimension range in mm						—
to	over	over	to	over	over	over	over	∩
6	6	10	30	30	60	100	150	∩
6	10	24	30	60	100	150		∩
±0.10	±0.15	±0.25	±0.2	±0.3	±0.5	±0.7	±1.0	0.05/10

ITEM	NAME OF PART	NO. OF PART	Q'TY	MATERIAL	NOTES
5	DG129R-Pin header	4034B00010 (H)	XX	Barss	SnCe
4	DG129-Screws-M3	S000001430 (H)	XX	Steel	Cr <sup>3+</sup> Zn
3	DG129-Contact	X000000200 (H)	XX	Brass	Ni plated
2	DG129-5.0 Cover	4029COYXXA (H)	1	PA66	UL94V-0
1	DG129R-5.0 Housing	4034A0YXXA (H)	1	PA66	UL94V-0

DEGSO DG129R-5.0-XXP-1Y-00A(H)		宁波高正电子有限公司 DEGSO ELECTRONICS CO., LTD	
NAME DG129R-5.0-XXP-1Y-00A(H)		DRAWING NO. DG129R-5.0-E02 /PART NO.	
FINISH:		SIZE A3	
SCALE : 1:1		REV T4 04/25/09	
DO NOT SCALE DRAWING		SHEET 1 OF 1	