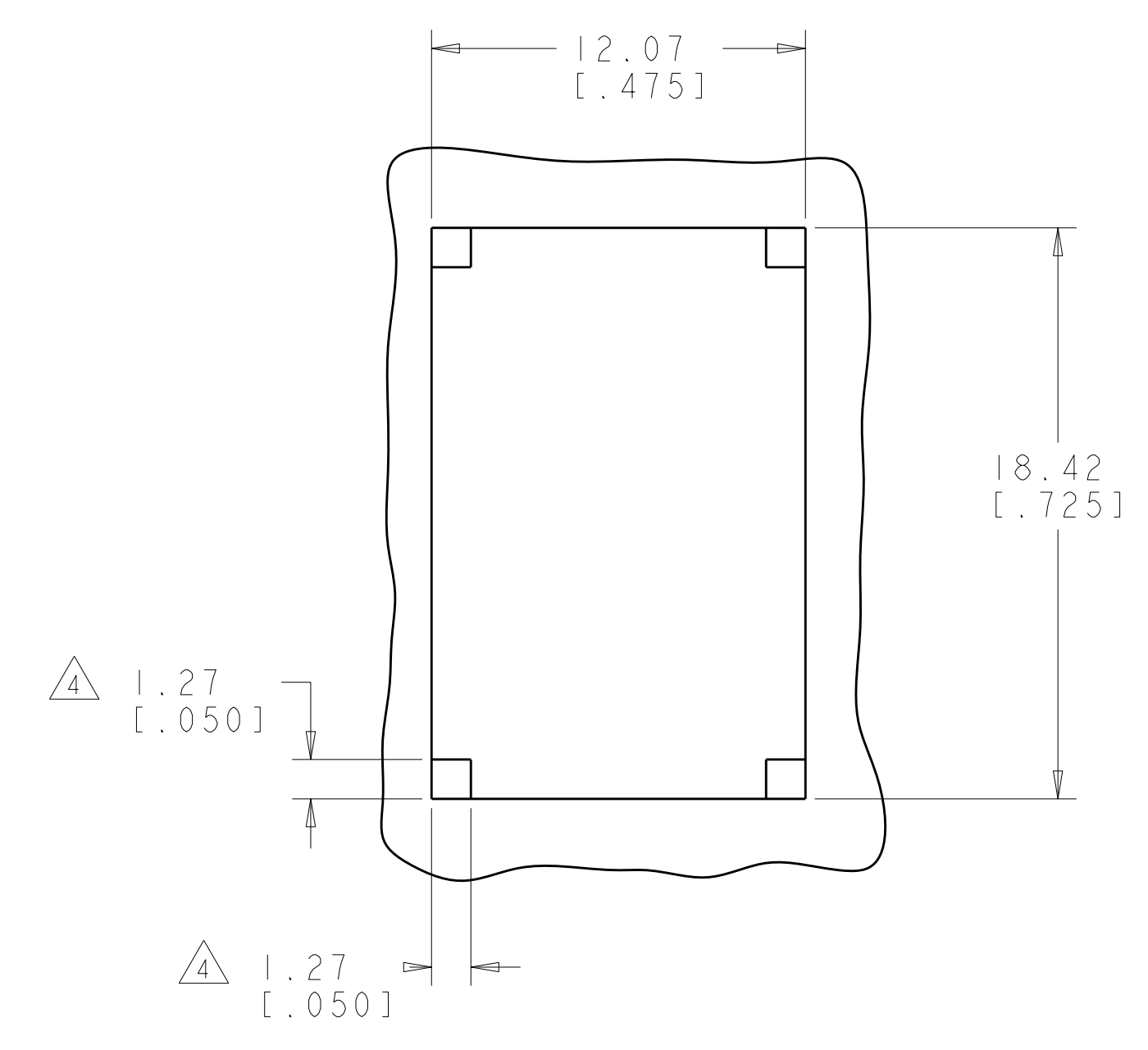
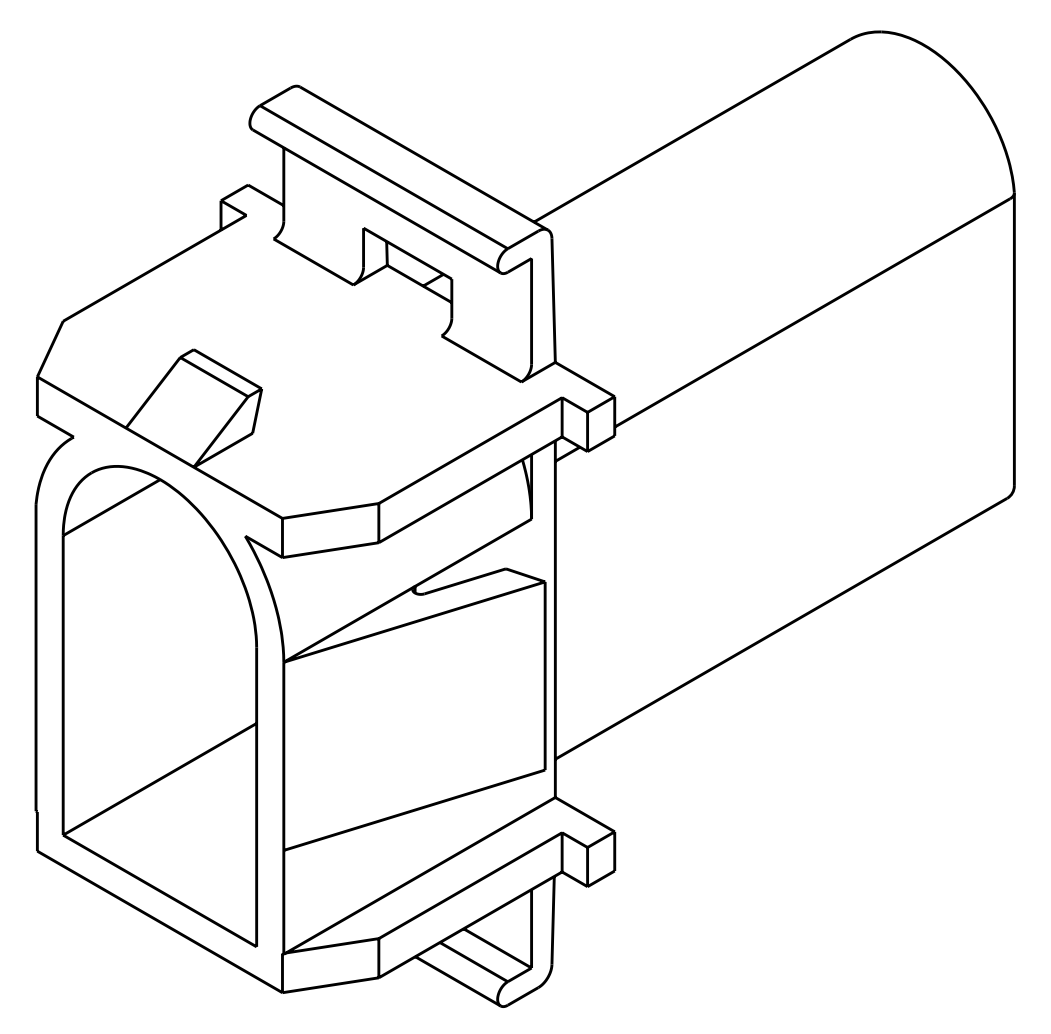
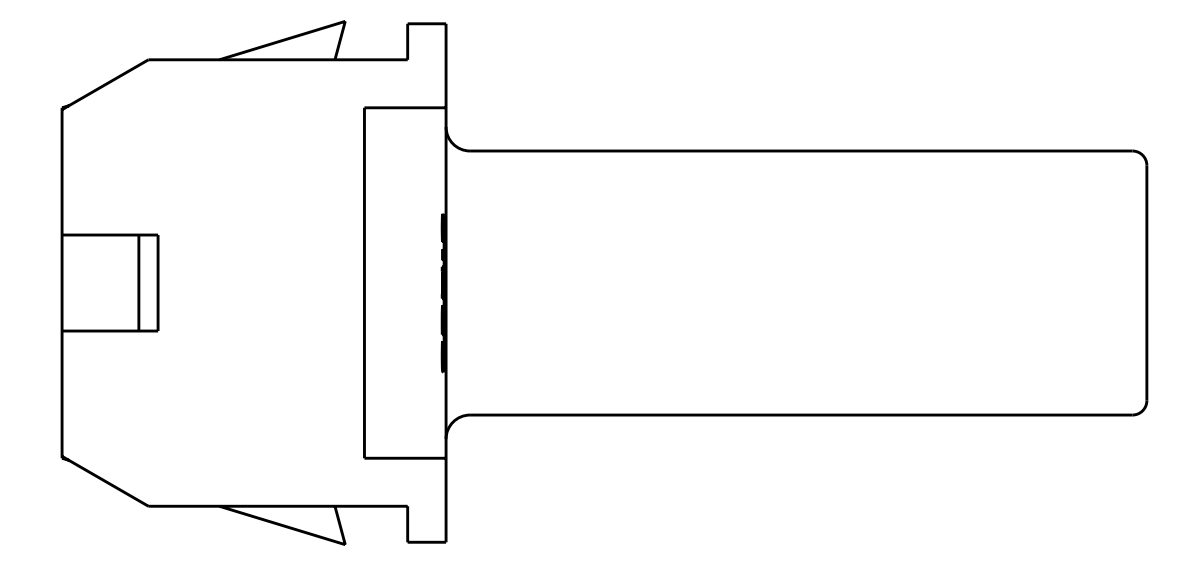
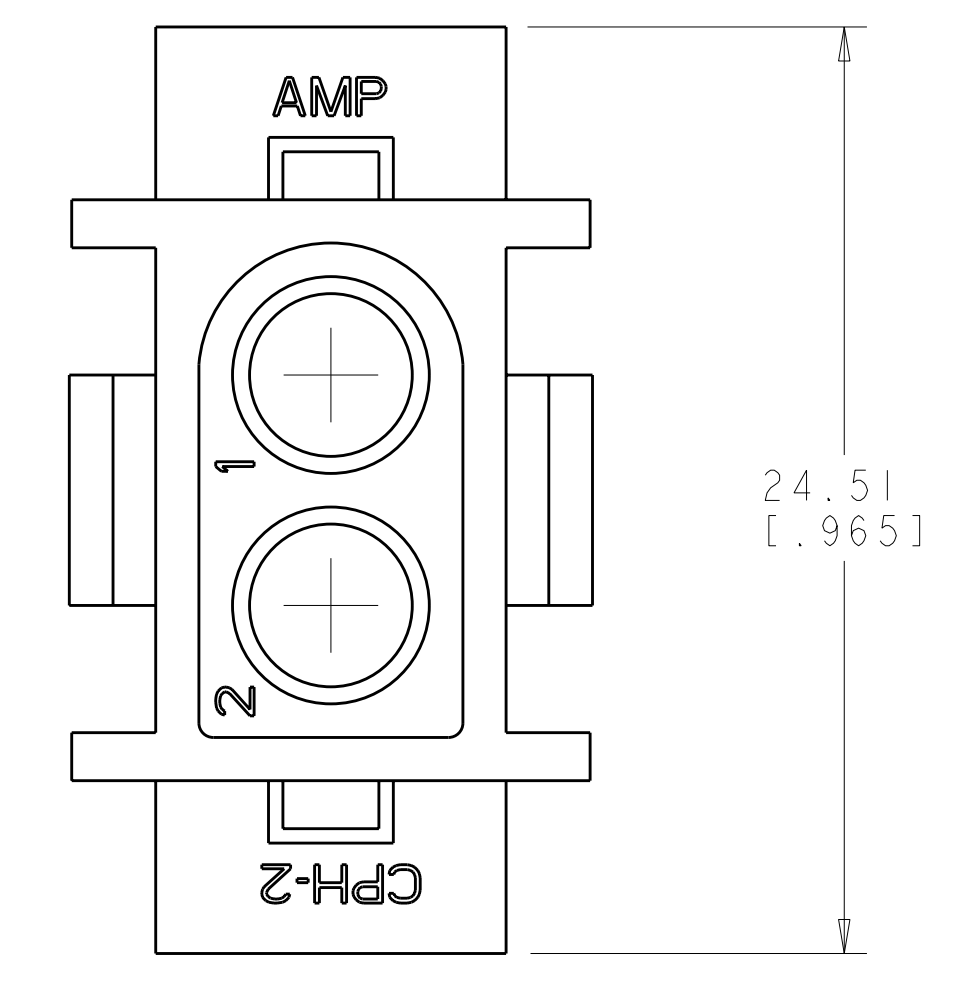
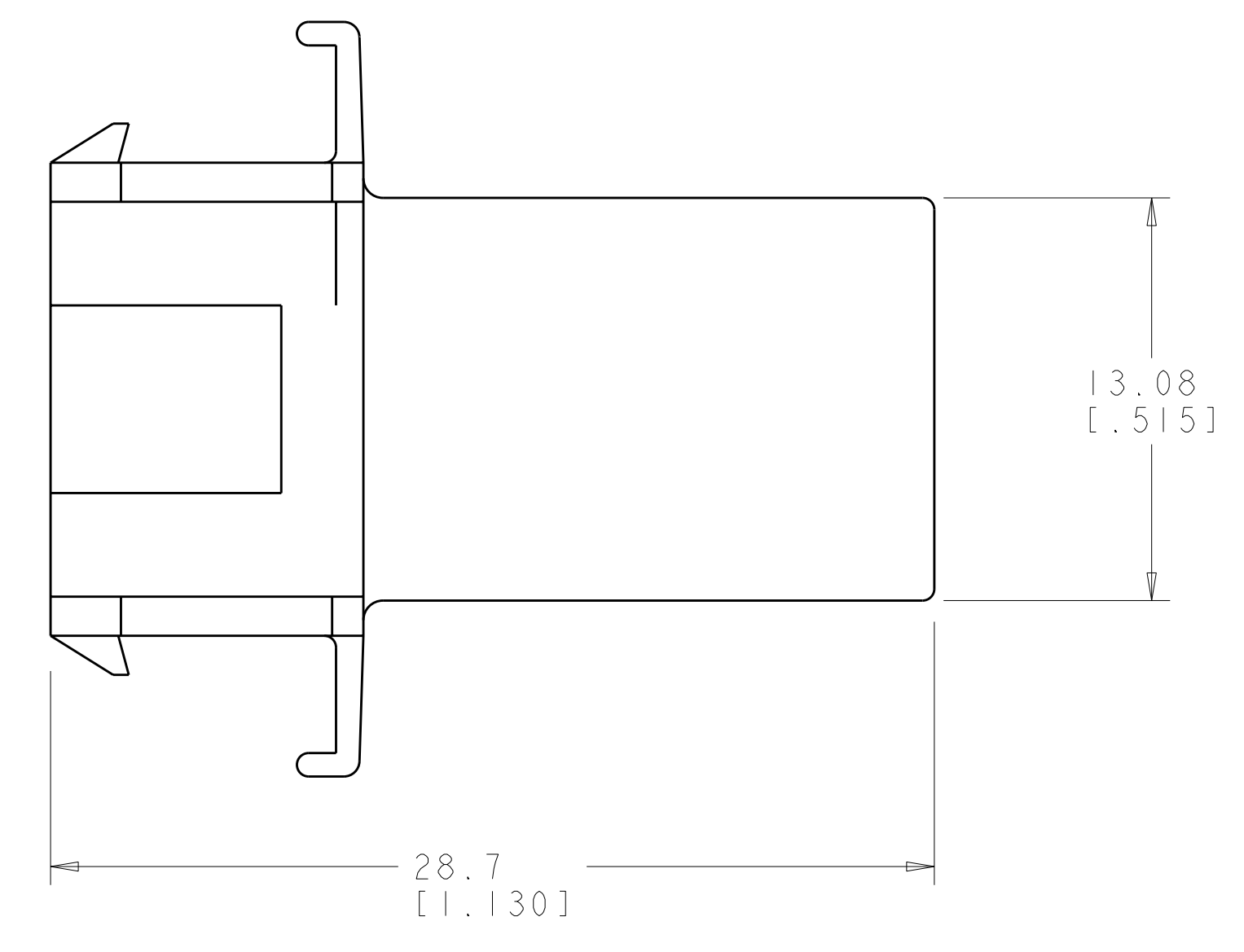
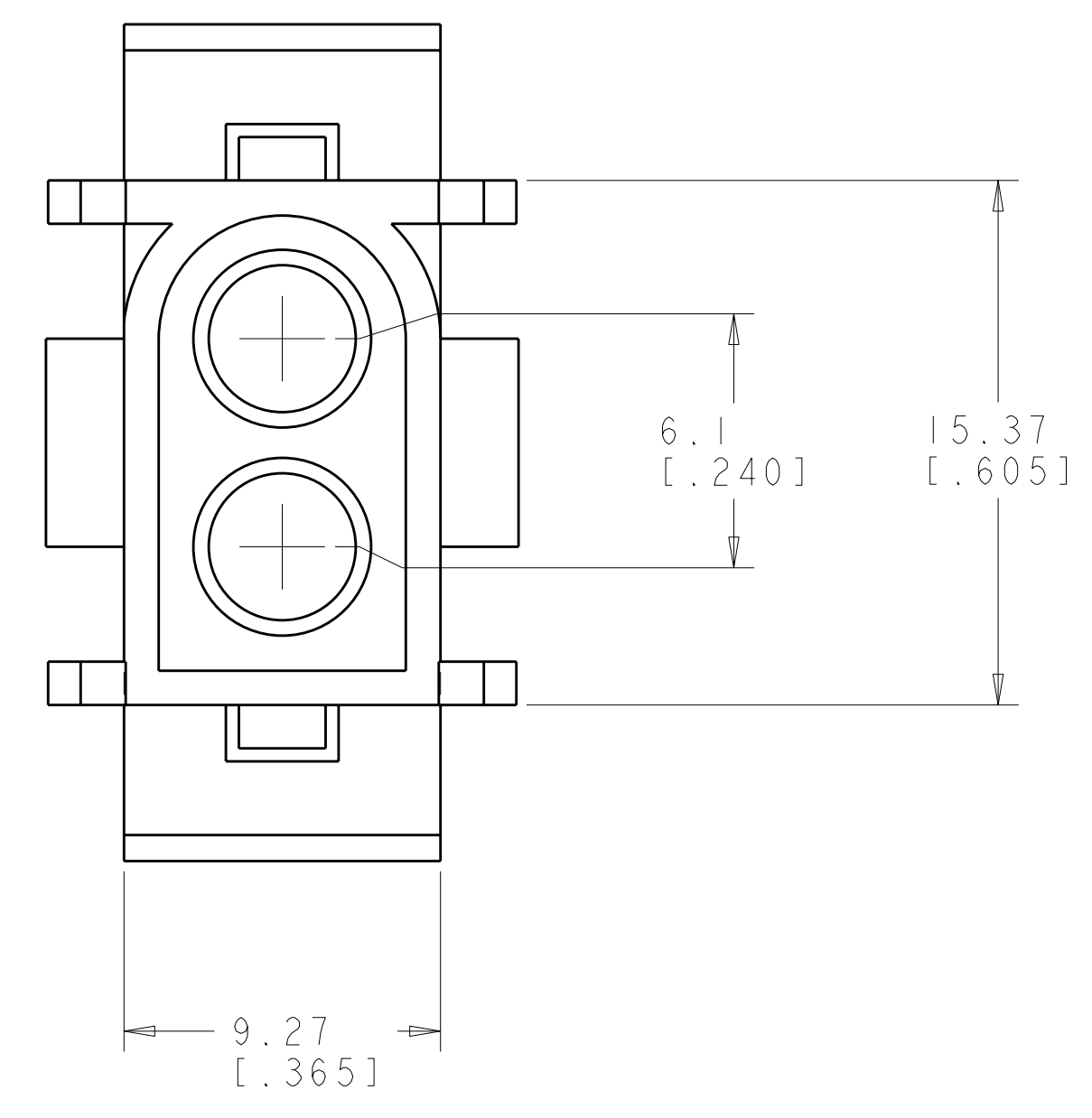


LOC	DIST	REV	DATE	BY	CHK	APPV
CM	00	E1	16MAR2011	RK	HMR	

- NOTE DELETED.
 - ACCEPTS .140 SERIES PINS.
 - MATES WITH PLUG 350344.
- △ 1.27 x 1.27 [.050 x .050] TABS IN CORNERS OF CUT-OUT ARE OPTIONAL TO REDUCE FLOAT IN PANEL.



RECOMMENDED PANEL CUT-OUT,
 PANEL THICKNESS 0.76-1.65 [.030-.065]

0.098 IN ³	GRAY	I-350345-8
0.098 IN ³	NATURAL	I-350345-0
VOLUME	COLOR	PART NUMBER



THIS DRAWING IS A CONTROLLED DOCUMENT.		DWN: R. WHITAKER 18APR2007	NAME: CAP. 2 CIRCUIT, .140 MATE-N-LOK(TM)	
DIMENSIONS: mm [INCHES]		CHK: C. CASH 18APR2007	SIZE: A100779 C=350345	
TOLERANCES UNLESS OTHERWISE SPECIFIED:		APPV: C. CASH 18APR2007	RESTRICTED TO: -	
0 PLC ±	1 PLC ±	PRODUCT SPEC	SCALE: 5:1 SHEET 1 OF 1 REV: E1	
2 PLC ±0.13 (1.005)	3 PLC ±	APPLICATION SPEC		
4 PLC ±	ANGLES ±	WEIGHT		
FINISH: #0°30'		CUSTOMER DRAWING		
MATERIAL: NYLON				

Mouser Electronics

Authorized Distributor

Click to View Pricing, Inventory, Delivery & Lifecycle Information:

[TE Connectivity:](#)

[1-350345-0](#)