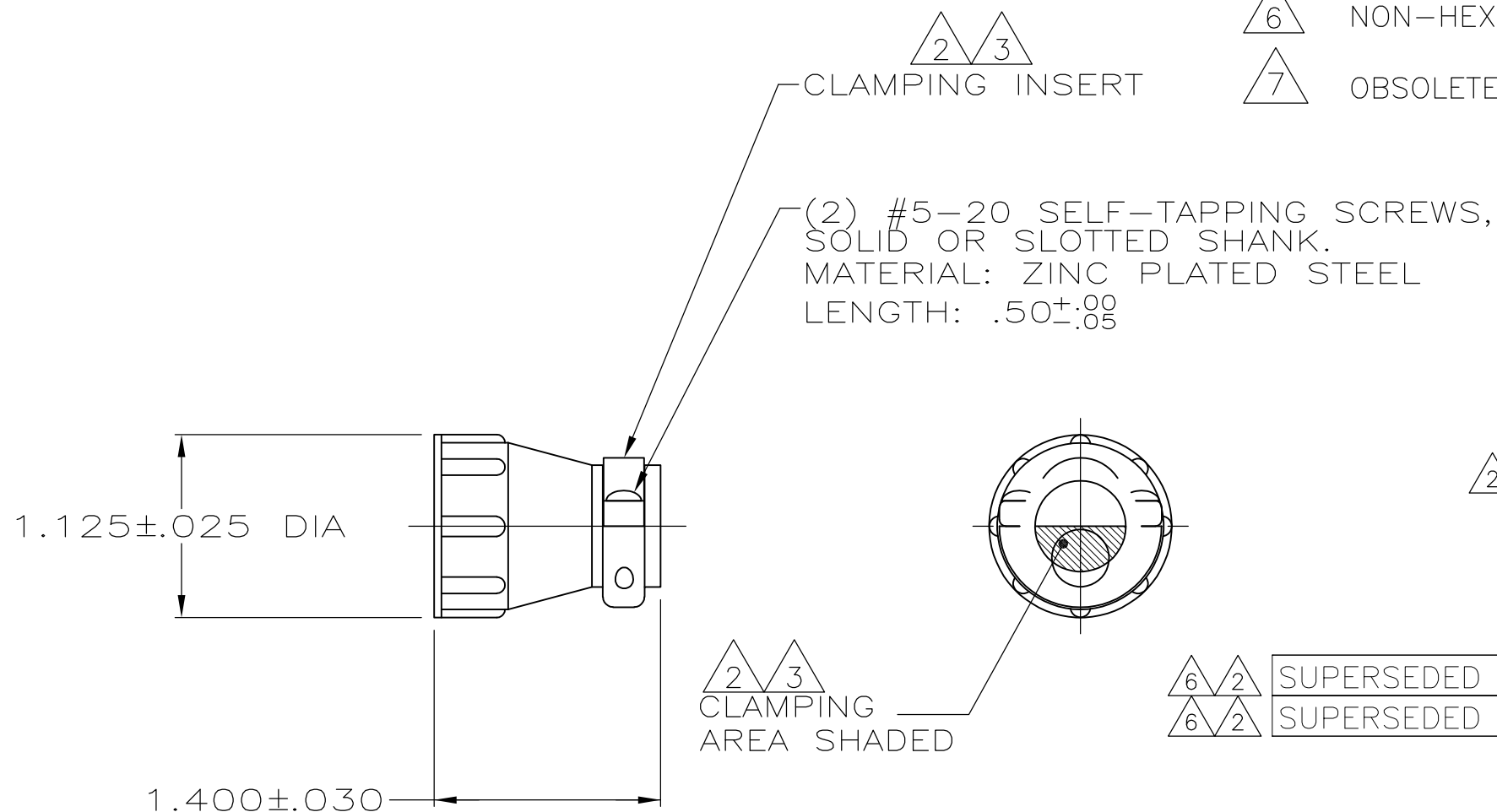


THIS DRAWING IS UNPUBLISHED. RELEASED FOR PUBLICATION

© COPYRIGHT - By - ALL RIGHTS RESERVED.

LOC	DIST	REVISIONS					
FT	0	P	LTR	DESCRIPTION	DATE	DWN	APVD
			N3	REVISED PER ECO-11-004587	11MAR11	RK	HMR

- 1 PART PACKAGED UNASSEMBLED.
- △2 CABLE CLAMPING AREA ADJUSTABLE FROM .010 TO .161 SQ IN BY REVERSING CLAMPING INSERTS. (2 INSERTS SUPPLIED)
- △3 CABLE CLAMPING AREA ADJUSTABLE FROM .010 TO .161 SQ IN BY CHANGING CLAMPING INSERTS. (4 INSERTS SUPPLIED, -4 ONLY)
- 4 .453 MAXIMUM CABLE OUTSIDE DIAMETER.
- △5 BULK PACKAGED KITS TO BE ORDERED IN MULTIPLES OF 200 ONLY.
- △6 NON-HEXAVALENT CHROMATE FINISH.
- △7 OBSOLETE PARTS: OBSOLETE CIS STREAMLINING PER D.RENAUD/D.SINISI



△6	INDIVIDUAL	1-206070-1
△2 △6 △5	BULK	1-206070-0
△2 △6 △7	OBSOLETE SMALL PACK	206070-9
△2 △6	INDIVIDUAL	206070-8
△6 △7	OBSOLETE INDIVIDUAL	206070-7
△6 △7	OBSOLETE SMALL PACK	206070-6
	OBSOLETE BULK	206070-4
△6 △2 △5	SUPERSEDED BY 1-206070-0 BULK	206070-3
△6 △2 △5	SUPERSEDED BY 206070-8 INDIVIDUAL	206070-1
	PACKAGING	PART NUMBER

THIS DRAWING IS A CONTROLLED DOCUMENT.		DWN	4/23/91		TE Connectivity			
		CHK	7-22-92					
		W.G.LENKER			NAME			
		-			CABLE CLAMP KIT, STANDARD, SHELL SIZE 17, CPC			
DIMENSIONS: INCHES		TOLERANCES UNLESS OTHERWISE SPECIFIED:			PRODUCT SPEC			
		0 PLC ± -			108-10024			
		1 PLC ± -			APPLICATION SPEC			
		2 PLC ± -			-			
		3 PLC ± -			SIZE			
		4 PLC ± -			CAGE CODE			
		ANGLES ± -			DRAWING NO			
MATERIAL		FINISH			RESTRICTED TO			
THERMOPLASTIC		-			-			
CUSTOMER DRAWING					SCALE		SHEET	
					NTS		1 OF 1	
							REV	
							N3	

Mouser Electronics

Authorized Distributor

Click to View Pricing, Inventory, Delivery & Lifecycle Information:

[TE Connectivity:](#)

[206070-8](#)