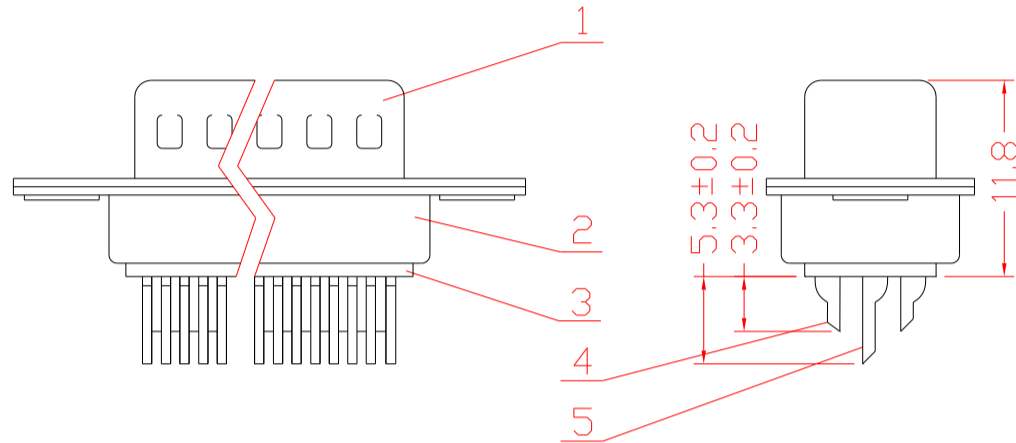
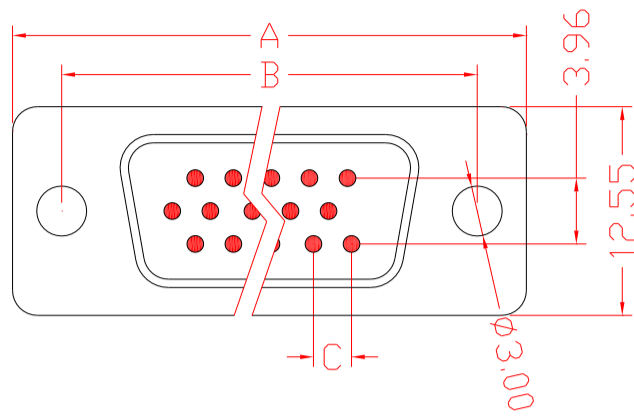


序号/RevNo.	名称/Title	文件编号/File No.
1	上铁壳	QJ/XYT-11030~11033
2	下铁壳	QJ/XYT-11034~11037
3	104M塑件	QJ/XYT-11075
4	104M端子(短)	QJ/XYT-11073
5	104M端子(长)	QJ/XYT-11074



Specifications:
 Contact Resistance: 30mΩ max.at DC 100 mA
 Insulator resistance: 1000MΩ min.at DC 500V
 Current Rating: 3AMP

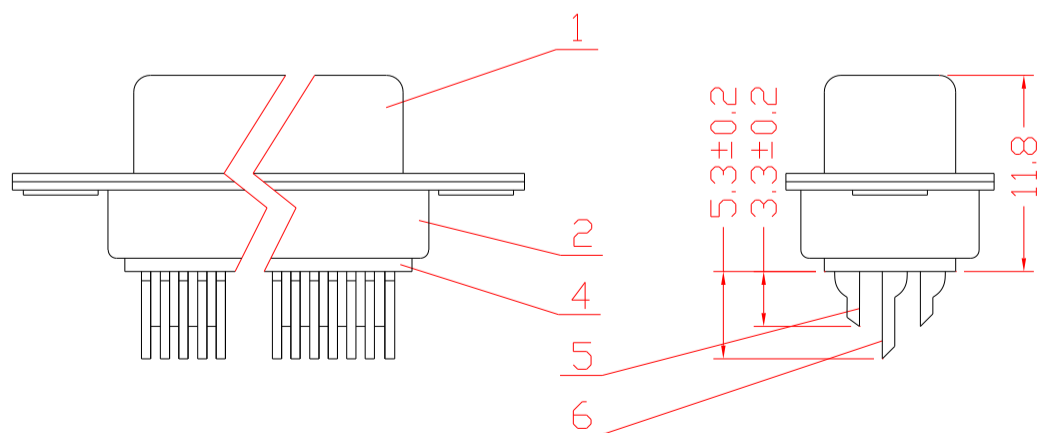
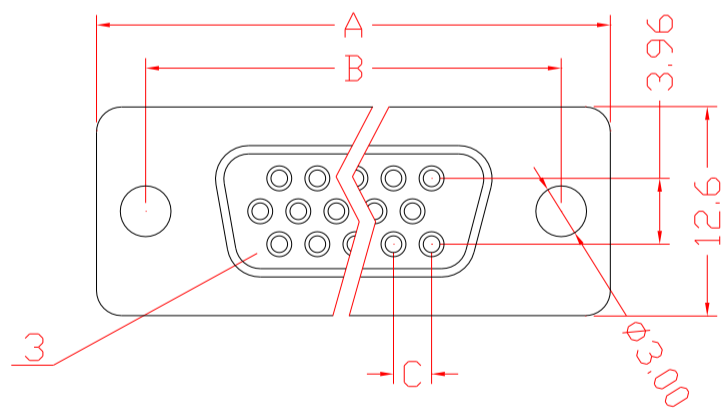
Dielectric Withstanding
 Voltage: AC 1000V For 1 minute
 Operating Temperature:-55℃--+105℃
 Contact: Brass
 Housing: PBT &30% Glass Fiber(UL 94V-0)

Position	A	B	C
15	30.9	24.99	2.29
26	39.1	33.32	2.29
44	53.0	47.04	2.29
62	69.3	63.50	2.41

设计/Designed by	绘图/Drawing by	审核/Checked by	批准/Approved by	未注公差 General Tolerance
				x. ±0.2 x.' ±2" .x ±0.1 .x' ±1" .xx ±0.05 .xx' ±0.5"
图名/Title			文件编号/File No.	
104M产品图			QJ/XYT-12009	
备注/Remark			页序/Sheet	单位/units: mm

序号/RevNo.	更改记录/Revision note	签名/Signature	日期/Date

序号/RevNo.	名称/Title	文件编号/File No.
1	上铁壳	QJ/XYT-11026~11029
2	下铁壳	QJ/XYT-11034~11037
3	104F塑件主体	QJ/XYT-11076
4	104F塑件后盖	QJ/XYT-11077
5	104F端子(短)	QJ/XYT-11071
6	104F端子(长)	QJ/XYT-11072



Specifications:
 Contact Resistance: 30mΩ max.at DC 100 mA
 Insulator resistance: 1000MΩ min.at DC 500V
 Current Rating: 3AMP

Dielectric Withstanding
 Voltage: AC 1000V For 1 minute
 Operating Temperature:-55℃--+105℃
 Contact: Brass
 Housing: PBT &30% Glass Fiber(UL 94V-0)

Position	A	B	C
15	30.9	24.99	2.29
26	39.1	33.32	2.29
44	53.0	47.04	2.29
62	69.3	63.50	2.41

设计/Designed by	绘图/Drawing by	审核/Checked by	批准/Approved by	未注公差 General Tolerance
				x. ±0.2 x.' ±2" .x ±0.1 .x' ±1" .xx ±0.05 .xx' ±0.5"
图名/Title			文件编号/File No.	
104F产品图			QJ/XYT-12010	
备注/Remark			页序/Sheet	单位/units: mm

序号/RevNo.	更改记录/Revision note	签名/Signature	日期/Date