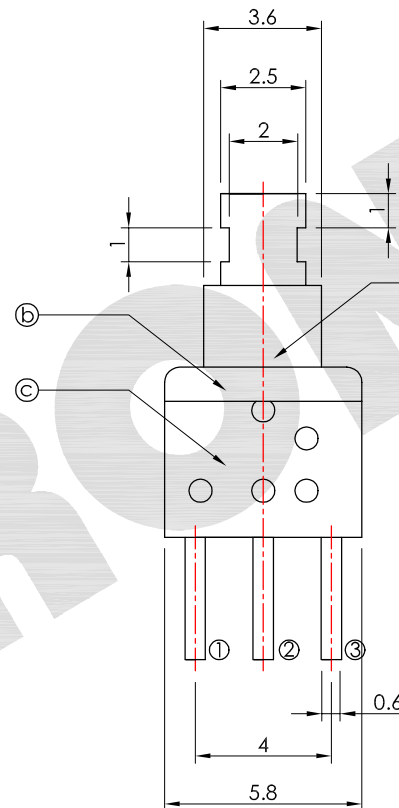
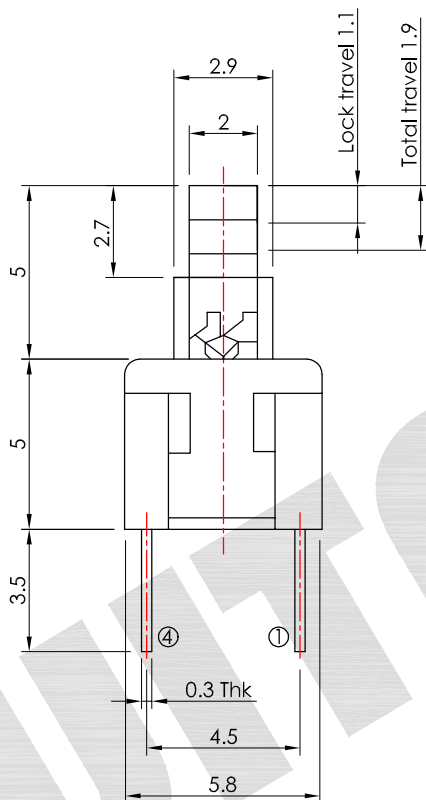
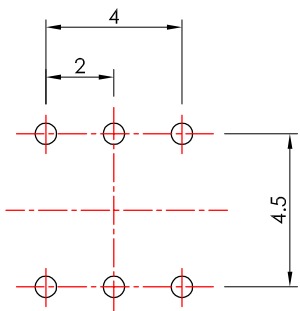


本圖面若與目錄之規格尺寸不符，以本圖面規格尺寸為主。

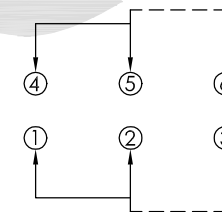
Below is our main specification if different from catalog.

RoHS compliant

P.C.B. LAYOUT



SCHEMATIC (NON-SHORTING)



SPECIFICATION

Rating: 0.1A 30V DC.

Circuit: 2P2T.

Function: ON-ON.

Timing: Non-Shorting.

Contact resistance: 70mΩ Max.(initial)

Insulation resistance: 100MΩ Min. at 500V DC.

Withstand voltage: 0.5mA 500V AC for 1 minute.

Operating force: 150±50g.

Minimum load: 30mA 10V DC.(reference only)

Life: 10,000 Cycles.

Soldering temperature: 230°C Max. for 2±0.5 sec.

Soldering time: 1 time only.

Note: Unwashable, don't be immersed by epoxy and organic solvent.

MATERIAL

Knob: POM/PBS C5210R-EH, white/Ag clad. (a)

Cover: POM, black. (b)

Case: Nylon+F.G./Brass strip, gray/Ag plated over Ni plated. (c)

Spring: Steel wire, temper.

Cam stick: Steel wire.

RoHS compliant

MPS-580XD-G

TYPE	
<input type="checkbox"/>	Lock
N	Non-Lock



SV2.1	△		
SV2.0	無	新繪製	2012.03.20
版本 VER.	符號 SYMBOL	修改內容 ALTERATION	更新日期 DATE

產品 PRODUCT		Pushbutton Switch		型號 MODEL NO.		MPS-580D-G	
製圖 DRAWN BY	核圖 CHECKED BY	主管 APPROVED BY		單位 UNIT	mm		
Ryan Chung	Neil Chen	Margaret Lee		比例 SCALE	9 : 2		
				公差 TOLERANCE	.X=±0.3mm, .XX=±0.2mm		

SWITRONIC
INDUSTRIAL CORP.
Switches



一綺電子企業股份有限公司

總公司：110 台北市信義路四段415號13樓之3

13F-3 NO. 415, SEC. 4, HSIN YI ROAD, TAIPEI, TAIWAN

TEL : 886-2-27290229 (Rep.) FAX : 886-2-27582086

URL : <http://www.switronic.com.tw>

E-MAIL : switches@ms36.hinet.net