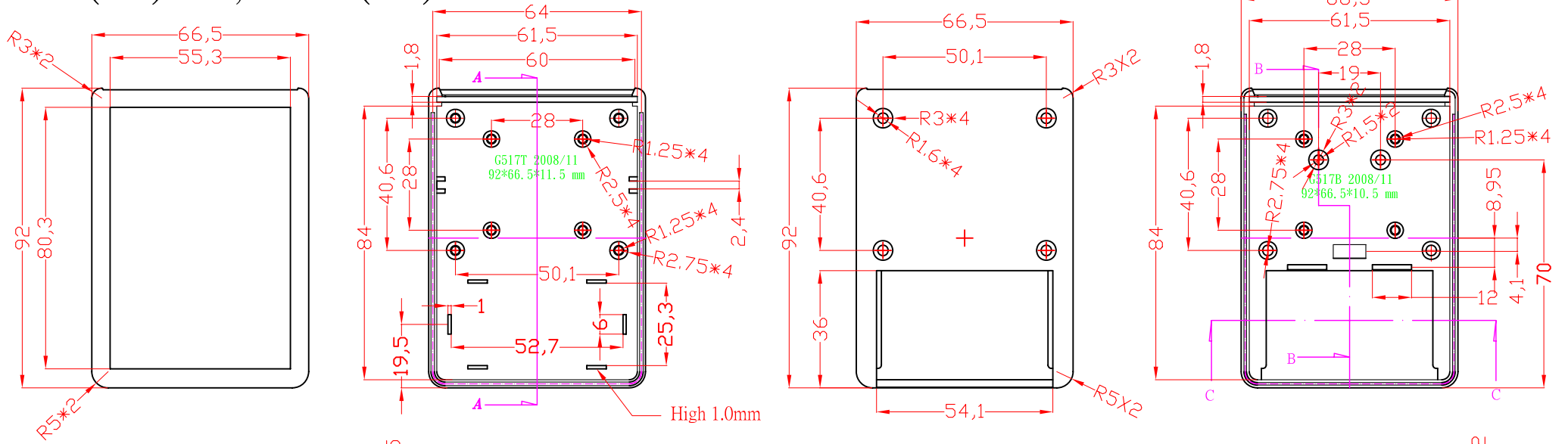
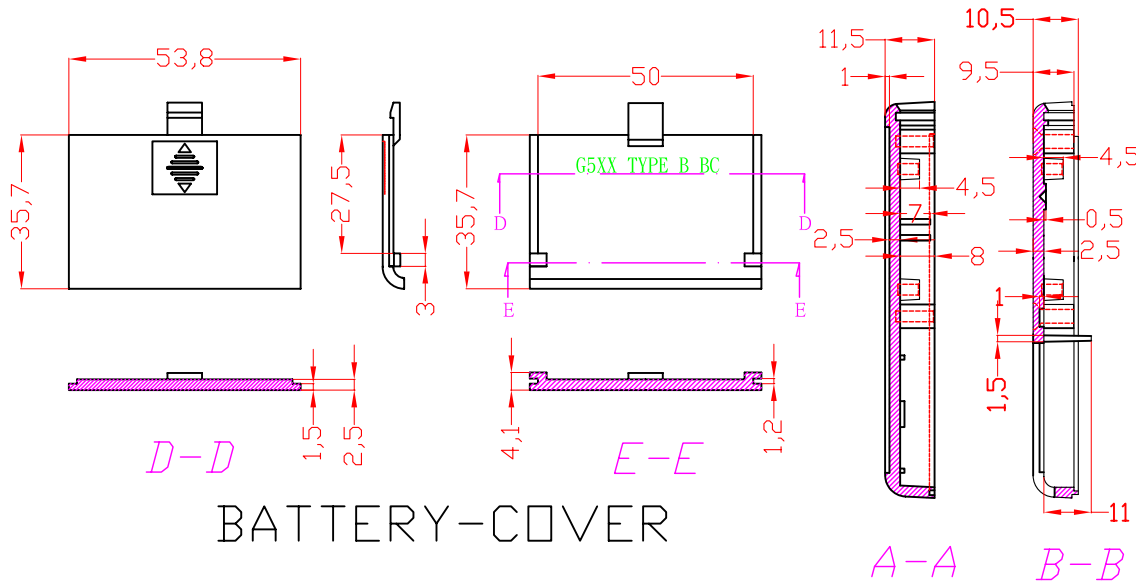


G517B(BC)-1@;G517G(BC)-1@



TOP

BASE



PANEL-"@"

According to ISO 2768-m			
Measuring DIM.=L	Tolerance	Measuring DIM.=L	Tolerance
0.5<L≤3.0 mm	±0.1 mm	30.0<L≤120.0 mm	±0.3 mm
3.0<L≤6.0 mm	±0.1 mm	120.0<L≤400.0 mm	±0.5 mm
6.0<L≤30.0 mm	±0.2 mm	400.0<L≤1000.0 mm	±0.8 mm

ITEM NO	DESCRIPTION
G517B(BC)-1@	BLACK(G517T+G517B+PANEL-"@"+B.C.)*1+M3*16 mm BLACK SCREWS *4
G517G(BC)-1@	GRAY(G517T+G517B+PANEL-"@"+B.C.)*1+M3*16 mm BLACK SCREWS *4

宣又實業有限公司
GAINTA INDUSTRIES LTD.

設計 DES'D BY	繪圖 DRA'Y BY	核圖 CHK'D BY	比例 SCALE	日期 DATE	材質 MATE.	圖名 TITLE	圖號 DWG NO.	圖號 REVISID	說明 DESCRIPTION
	JACKY			2009/1/7	ABS	G517B(BC)-1@;G517G(BC)-1@		A	