

USB Series, Male Connector

Description

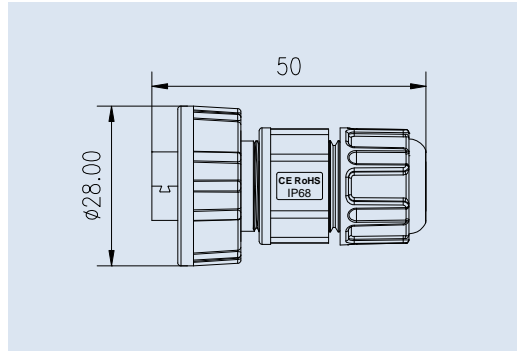
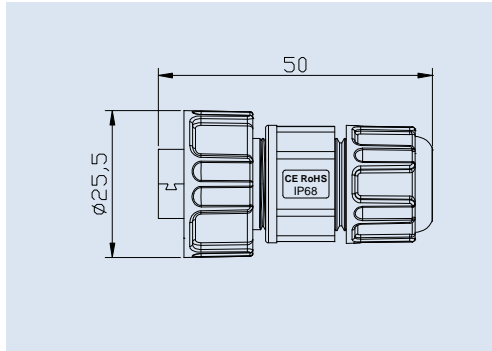
Field Installable, 180°
Screw Type, Solder

Field Installable, 180°
Lock Bayonet Type, Solder

Figure



Drawing



Part Number

Contacts	Cable Range(mm)	Part Number	Contacts	Cable Range(mm)	Part Number
4	3.5 - 6.8	34000000-01	4	3.5 - 6.8	34000000-02

Specifications

Number of Contacts	4	
Wire Gauge	0.204mm ² (24AWG)	
Cable Range	3.5mm - 6.8mm	
Environmental Protection	IP68	IP67
Mechanical Life	1500 mating cycles	
Operating Temperature	- 45°C - +85°C	
Breakdown Voltage	≥ AC 500V / 1Minute	
Speed	480 Mbps	
Contact Resistance	≤ 30mΩ Max	
Insulation Resistance	≥ 1000MΩ Min	
Rated Current (40°C)	1.5 A	

USB Series, Panel Mount

Description

Figure

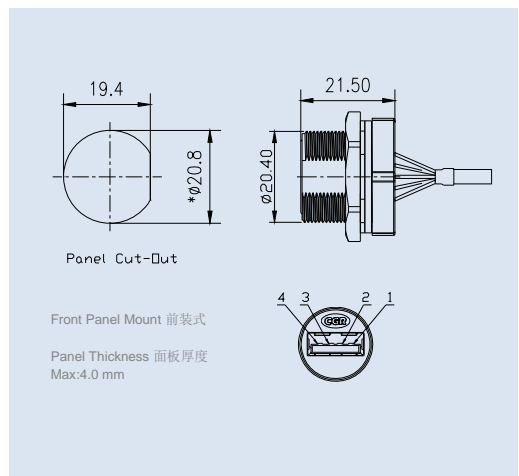
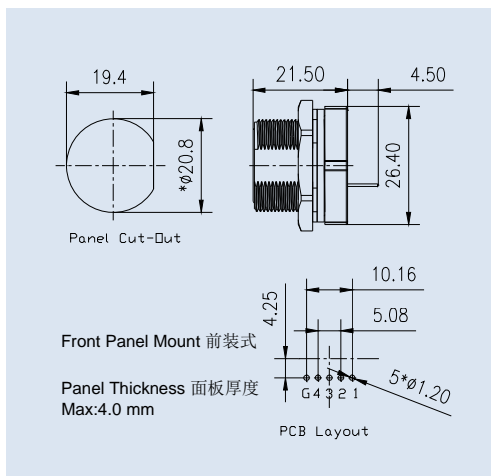
Panel Front Mount,
Screw Type, PCB



Panel Front Mount,
Screw Type, Solder



Drawing



Part Number

Contacts	Part Number	Contacts	Part Number
4	34000000-03	4	34000000-09-XXX

Specifications

Number of Contacts	4	
Environmental Protection	IP68	IP68
Mechanical Life	1500 mating cycles	
Operating Temperature	- 45°C - 85°C	
Breakdown Voltage	≥ AC 500V / 1Minute	
Speed	480 Mbps	
Contact Resistance	≤ 30mΩ Max	
Insulation Resistance	≥ 1000MΩ Min	
Rated Current (40°C)	1.5 A	

USB Series, Panel Mount

Description

Figure

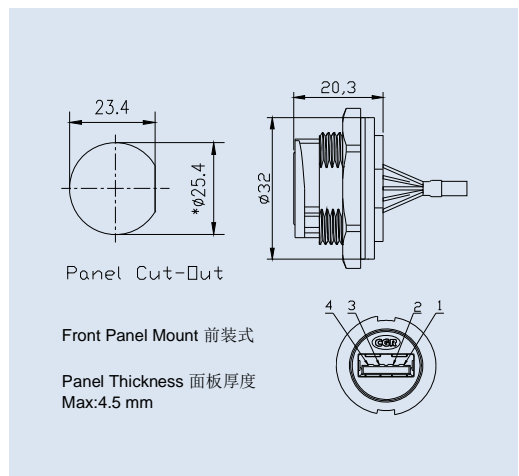
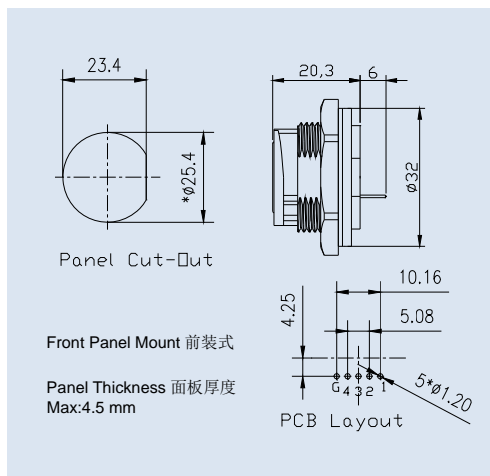
Panel Front Mount,
Lock Type, PCB



Panel Front Mount,
Lock Type, Solder



Drawing



Part Number

Contacts	Part Number	Contacts	Part Number
4	34000000-04	4	34000000-12-XXX

Specifications

Number of Contacts	4	
Environmental Protection	IP67	IP67
Mechanical Life	1500 mating cycles	
Operating Temperature	- 45°C - 85°C	
Breakdown Voltage	≥ AC 500V / 1Minute	
Speed	480 Mbps	
Contact Resistance	≤ 30mΩ Max	
Insulation Resistance	≥ 1000MΩ Min	
Rated Current (40°C)	1.5 A	

USB Series, Panel Mount

Description

Figure

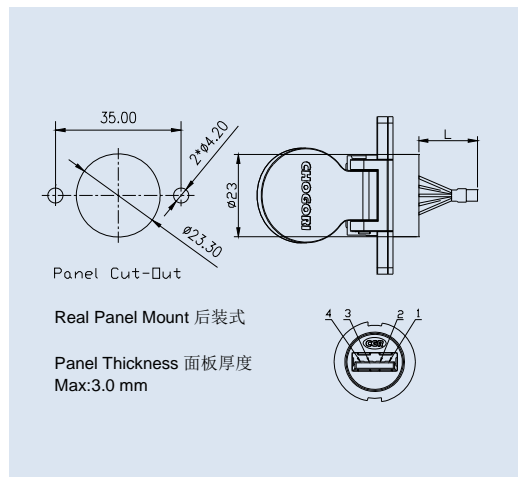
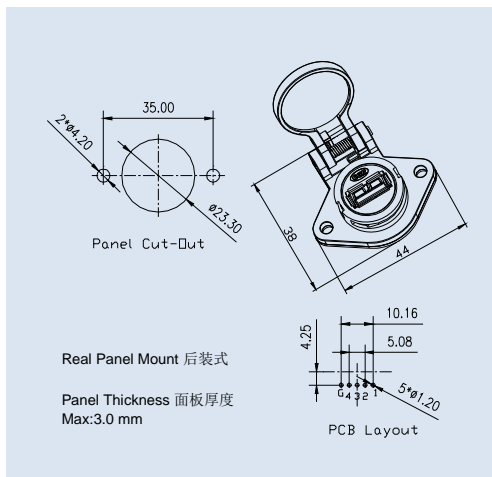
Panel Mount,
Lock Type, PCB



Panel Mount,
Lock Type, Solder



Drawing



Part Number

Contacts	Part Number	Contacts	Part Number
4	34000000-05	4	34000000-08-XXX

Specifications

Number of Contacts	4	
Environmental Protection	IP67	IP67
Mechanical Life	1500 mating cycles	
Operating Temperature	- 45°C - 85°C	
Breakdown Voltage	≥ AC 500V / 1Minute	
Speed	480 Mbps	
Contact Resistance	≤ 30mΩ Max	
Insulation Resistance	≥ 1000MΩ Min	
Rated Current (40°C)	1.5 A	

USB Series, Panel Mount

Description

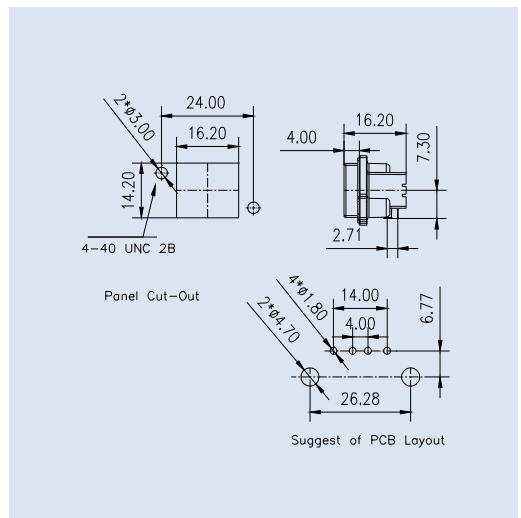
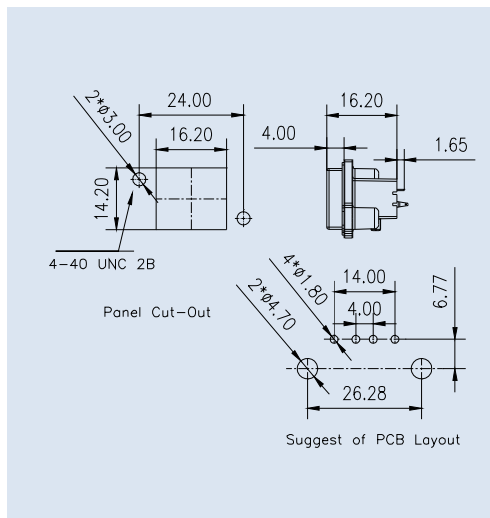
Panel Mount, 180
kirsite, PCB

Panel Mount, 90
kirsite, PCB

Figure



Drawing



Part Number

Contacts	Part Number	Contacts	Part Number
4	34000000-20	4	34000000-14

Specifications

Number of Contacts	4	
Environmental Protection	IP67	IP67
Mechanical Life	1500 mating cycles	
Operating Temperature	- 45°C - 85°C	
Breakdown Voltage	≥ AC 500V / 1Minute	
Speed	480 Mbps	
Contact Resistance	≤ 30mΩ Max	
Insulation Resistance	≥ 1000MΩ Min	
Rated Current (40°C)	1.5 A	

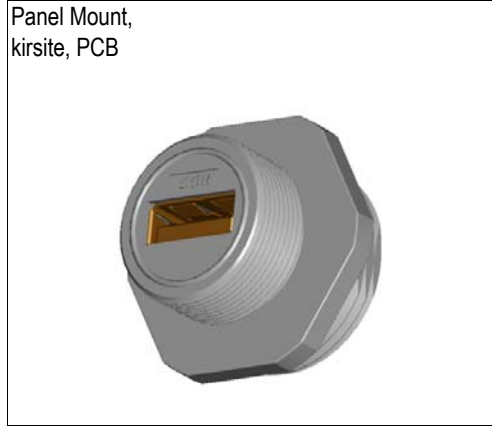
USB Series, Panel Mount

Description

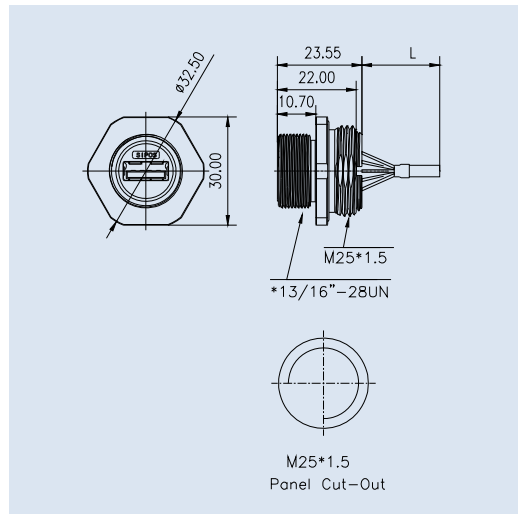
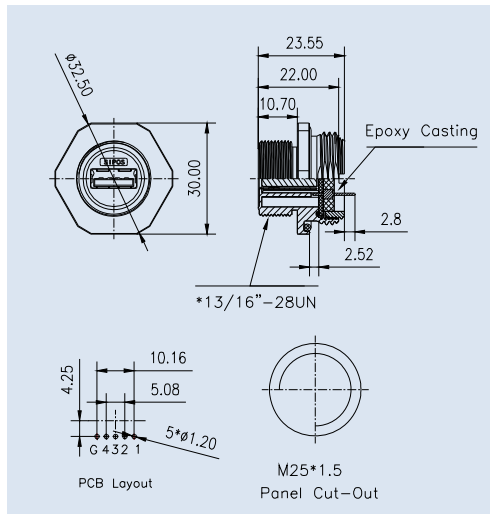
Panel Mount,
kirsite, PCB

Panel Mount,
kirsite, PCB, Solder

Figure



Drawing



Part Number

Contacts	Part Number	Contacts	Part Number
4	34000000-18	4	34000000-19-XXX

Specifications

Number of Contacts	4	
Environmental Protection	IP67	IP67
Mechanical Life	1500 mating cycles	
Operating Temperature	- 45°C - 85°C	
Breakdown Voltage	≥ AC 500V / 1Minute	
Speed	480 Mbps	
Contact Resistance	≤ 30mΩ Max	
Insulation Resistance	≥ 1000MΩ Min	
Rated Current (40°C)	1.5 A	