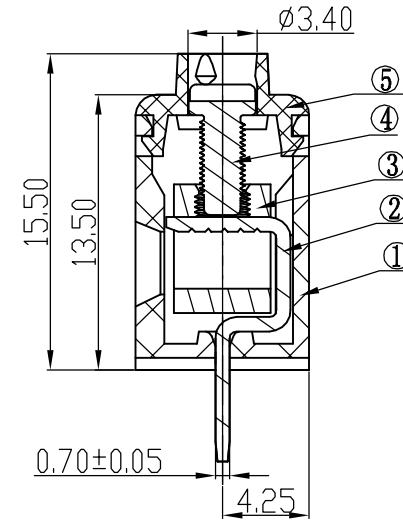
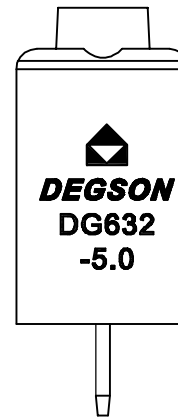
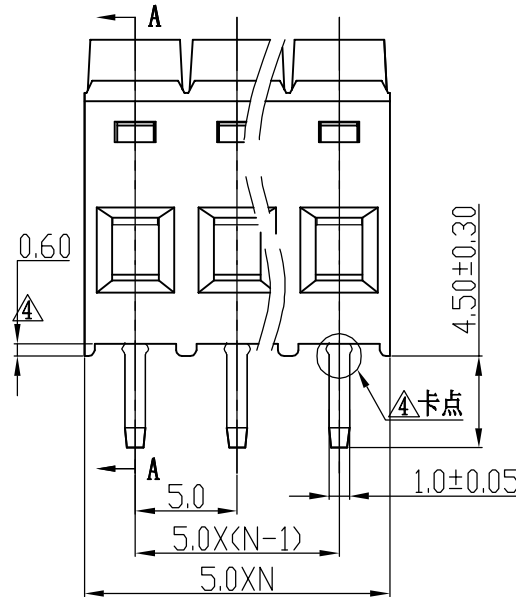
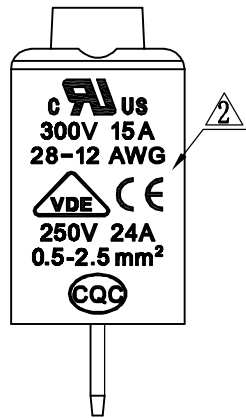
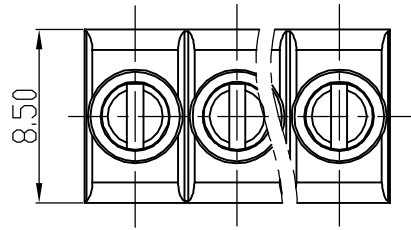


REVISION RECORD					
REV	ECN	DESCRIPTION	DRFT	DATE	
▲		增加CE、UL刻字	LJH	03/20/08	
▲		增加VDE刻字	Zengy	07/16/08	
▲	10-0211	螺丝料号由“S000002050”改为“S000001300”	Jianhui.Lan	09/02/10	
▲	10-0290	改善螺丝顶出	Gary.H	09/02/10	



Notes:

1. Pitch:5.0mm , Poles:2-20P
2. Rated voltage/current:UL 300V/15A  
VDE 250V/24A
3. Operation temperatures:-40℃~+105℃
4. Withstanding Voltage:AC2000V/1Min
5. Insulation Resistance:1000MΩ/DC500V
6. Wire Range:28~12AWG, 0.5~2.5mm²
7. Max. Torque Value:M2.5 , 4.08kgf.cm
8. Undimensioned Tolerances:

Pitch range in mm		Nominal dimension range in mm							
	over 6 to 10	over 10 to 24	over 24 to 30	over 30 to 60	over 60 to 100	over 100 to 150	over 150	∩	
to 6	±0.10	±0.15	±0.25	±0.2	±0.3	±0.5	±0.7	±1.0	
								0.05/10	

5	DG632-5.0-Cover	4085C0YXXA(H)	1	PA66	UL94V-0
4	DG332 "-"M2.5 Screw	S000001390(H)	XX	Steel	Cr <sup>3+</sup> Zn
3	DG128-Brass-Cage	X000000020(H)	XX	Brass	Ni plated
2	DG632-5.0-Header	4085B00010(H)	XX	Brass	SnCe

ITEM	NAME OF PART	NO. OF PART	Q'TY	MATERIAL	NOTES
1	DG632-5.0-Housing	4085A0YXXA(H)	1	PA66	UL94V-0

DETACHED LISTS	MM (INCH)	DATE 03/22/07	宁波高正电子有限公司 DEGSON ELECTRONICS CO., LTD		
	TOLERANCES EXCEPT AS NOTED	CHKD DATE			
		MFD DATE			
		APPVL DATE			
	MM .0 ±	±	NAME DG632-5.0-XXP-1Y-00A(H)		
	.00 ±	±			
	.000 ±	±			
	ANGLES ± 1°	G.E :	DRAWING NO. DG632-5.0-E01	SIZE A3	REV T4 09/02/10
	THIRD ANGLE PROJECTION	FINISH:	/PART NO.	DO NOT SCALE DRAWING	SHEET 1 OF 1
		SCALE :			