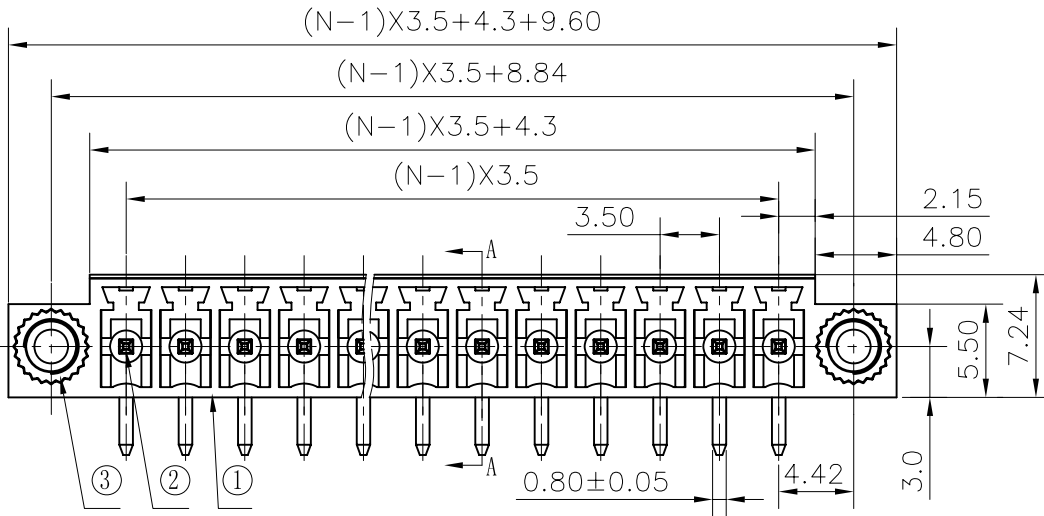
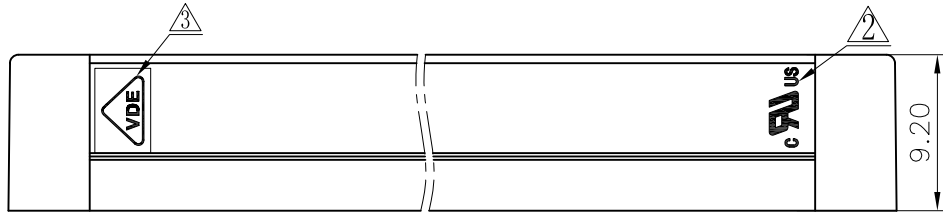
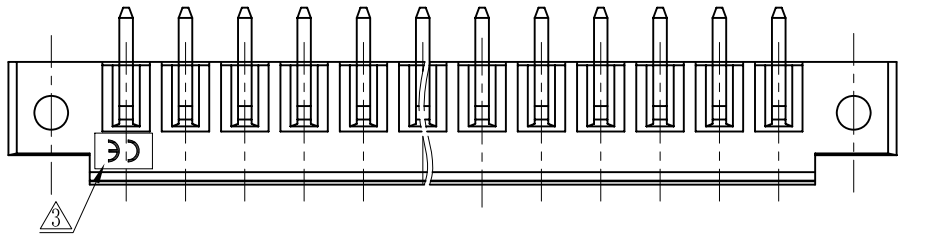
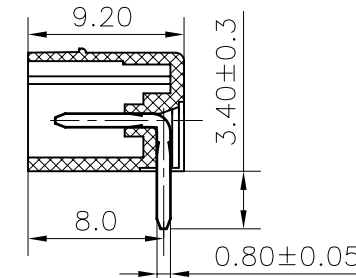


REVISION RECORD					
REV	ECO	DESCRIPTION	DRFT	DATE	
△		Drawing emend	Home	04/07/06*	
△		增加商标、品名、UL刻字	WLM	08/06/08*	
△		增加VDE, CE刻字	Zengy	01/15/09*	

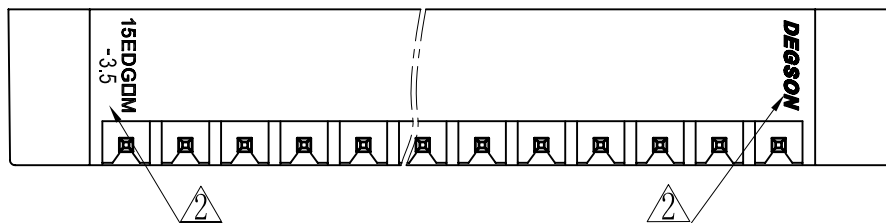


- Notes:
1. Pitch: 3.5mm poles:2-24p
 2. Rated voltage/current: UL 300V/8A
VDE 250V/7A
 3. Operation temperatures: -40° C ~ +105° C
 4. Withstanding voltage: AC2000V/1Min
 5. Insulation resistance: 5000MΩ/DC1000V
 6. Undimensioned Tolerances:

Pitch range in mm		Nominal dimension range in mm						—	
to 6	over 6 to 10	to 30	over 30 to 60	over 60 to 100	over 100 to 150	over 150	∩	∇	
±0.10	±0.15	±0.25	±0.2	±0.3	±0.5	±0.7	±1.0	0.05/10	



SECTION A-A



3	2EDG-screw cap	S000000040 (H)	2	brass	
2	15EDGRC Pin header	1003B00010 (H)	XX	brass	SnCe

ITEM	NAME OF PART	NO. OF PART	Q"TY	MATERIAL	NOTES												
1	15EDGVM-3.5 Housing	1040A0YXXA (H)	1	PA66	UL94V-0												
<table border="1"> <tr> <td>MM (INCH)</td> <td>DFTO Zhuwm</td> <td>DATE 01/24/05*</td> </tr> <tr> <td>TOLERANCES EXCEPT AS NOTED</td> <td>CHKD</td> <td>DATE</td> </tr> <tr> <td></td> <td>MFO</td> <td>DATE</td> </tr> <tr> <td></td> <td>APPVL</td> <td>DATE</td> </tr> </table>		MM (INCH)	DFTO Zhuwm	DATE 01/24/05*	TOLERANCES EXCEPT AS NOTED	CHKD	DATE		MFO	DATE		APPVL	DATE	宁波高正电子有限公司 DEGSON ELECTRONICS CO., LTD			
MM (INCH)	DFTO Zhuwm	DATE 01/24/05*															
TOLERANCES EXCEPT AS NOTED	CHKD	DATE															
	MFO	DATE															
	APPVL	DATE															
DETACHED LISTS		NAME: 15EDGRM-3.5-XXP-1Y-00A(H)															
ANGLES ± 1°		G.E :															
THIRD ANGLE PROJECTION		FINISH :															
		DRAWING NO. 15EDGRM-3.5-E01															
		/PART NO.															
		SCALE : 1:1															
		DO NOT SCALE DRAWING															
		SHEET 1 OF 1															