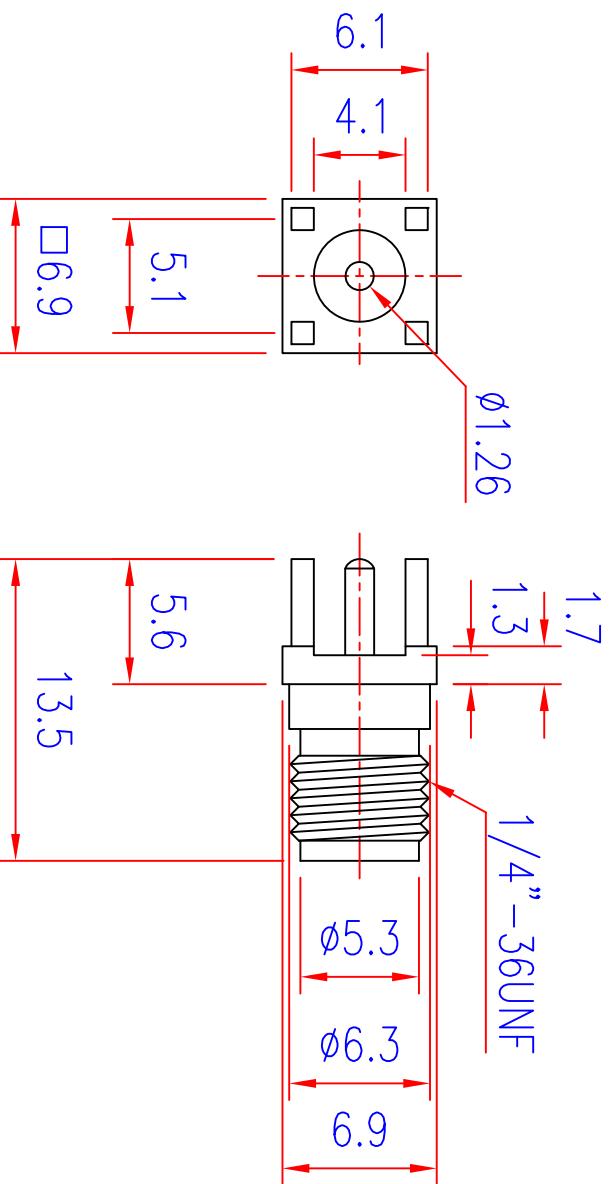


SPECIFICATION  
 SMA FEMALE CONNECTOR  
 PCB MOUNT , TEFLON INSULATION  
 SMA 母 , 180° PC 腳 , 鐵弗龍絕緣, 本體: 鍍鎳, PIN: 鍍金  
 NICKEL PLATED , PIN: GOLD PLATED



UNLESS OTHERWISE SPECIFIED  
 GENERAL TOLERANCES  
 0.5~6 = ±0.2  
 >6~30 = ±0.4  
 >30~120 = ±0.6

NO.	DESCRIPTION	QTY	MATERIAL	SPECIFICATION	REMARK
DRAW BY	周鳳君	050508	1 : 3		TL4045-BTNG
DEGN BY					
APPD BY		UNIT	MM		SMA FEMALE

DATE	DRAWG BY	REVISED	同利企業有限公司	TELE LONG ENTERPRISE CO.,LTD	DRAWING NO.	TL4045-BTNG-TNS61-A