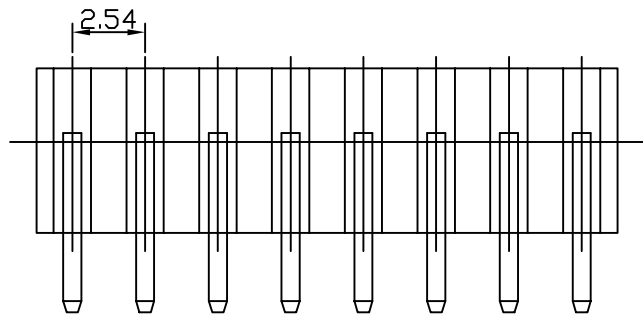
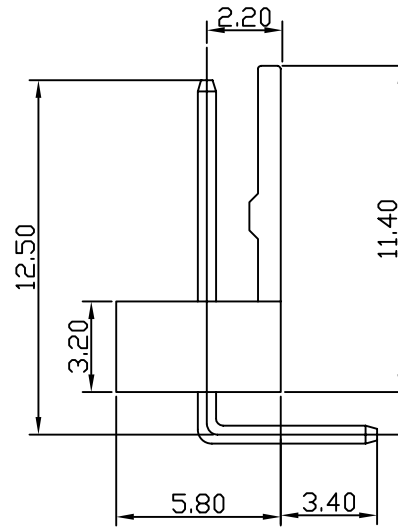
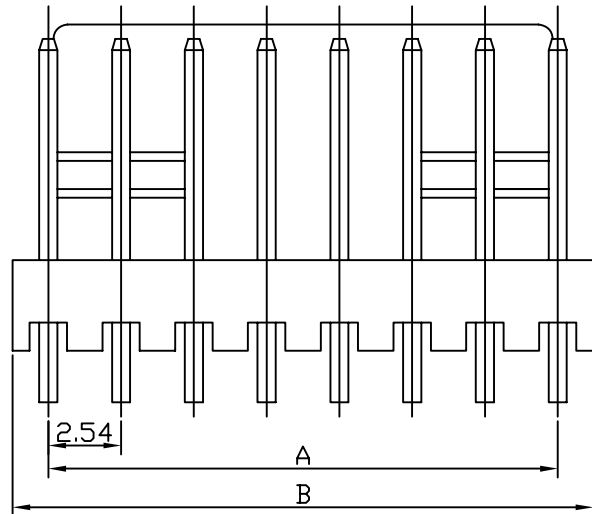


Specifications

Current Rating: 2A AC, DC
 Voltage Rating: 250 AC Maximum
 Operating Temp: -25°C ~ + 85°C
 Contact Resistance: 10MΩ Max
 Insulation Resistance: 1000MΩ Min
 Terminal Material: Brass/ Tin-plated/ Gold-plated
 Material: Nylon 66, UL94V-2



Poles	Dimension mm (in.)		Part No.
	A	B	
2	2.54(0.100)	5.12(0.202)	254G1-R02
3	5.08(0.200)	7.66(0.302)	254G1-R03
4	7.62(0.300)	10.20(0.402)	254G1-R04
5	10.16(0.400)	12.74(0.502)	254G1-R05
6	12.70(0.500)	15.30(0.602)	254G1-R06
7	15.24(0.600)	17.94(0.706)	254G1-R07
8	17.78(0.700)	20.48(0.806)	254G1-R08
9	20.32(0.800)	23.02(0.906)	254G1-R09
10	22.86(0.900)	25.58(1.007)	254G1-R10
11	25.40(1.000)	28.12(1.107)	254G1-R11
12	27.94(1.100)	30.68(1.208)	254G1-R12
13	30.48(1.200)	33.10(1.303)	254G1-R13
14	33.02(1.300)	35.80(1.409)	254G1-R14
15	35.56(1.400)	38.34(1.509)	254G1-R15
16	38.10(1.500)	40.94(1.612)	254G1-R16
17	40.64(1.600)	43.30(1.705)	254G1-R17
18	43.18(1.700)	45.90(1.807)	254G1-R18
19	45.72(1.800)	48.56(1.912)	254G1-R19
20	48.26(1.900)	50.80(2.000)	254G1-R20

Rev	Description/Date	Drawn By: Storm.li	Customer:	Third angle projection	Units: mm		
△		Checked By: Simmon	Part No.: 254G1-RXX	General Dimension Tolerance	X.X ±0.50	X.XX ±0.10	X.XXX ±0.08
△		Approved By: Tony	Title: 2.54 mm Wire to Board Header DIP 90° Type				
SGS Report No.: CE/2005/62993D							