

REV.	DESCRIPTION	DRAWN	CHECKED	APPROVED
A	NEW RELEASE	LJH 06/28/05'		

Female Terminal

Wire Range		O.D of Wire
Section Area (mm <sup>2</sup> )	AWG#	mm
0.05~0.3	28~22	1.7

NOTES:

- MAIN SPECIFICATIONS
  - Housing material: NYLON 66
  - Wire range: AWG#28~#22
  - Rated voltage: 250V
  - Rated current: 1A
  - Contact resistance:  $\leq 30m\Omega$
  - Insulation resistance:  $\geq 1000M\Omega$
  - Withstanding voltage: 500V,AC 1 minute
  - Temperature range:  $-25 \sim +85^{\circ}C$
  - Recommend PC board thickness:1.6mm

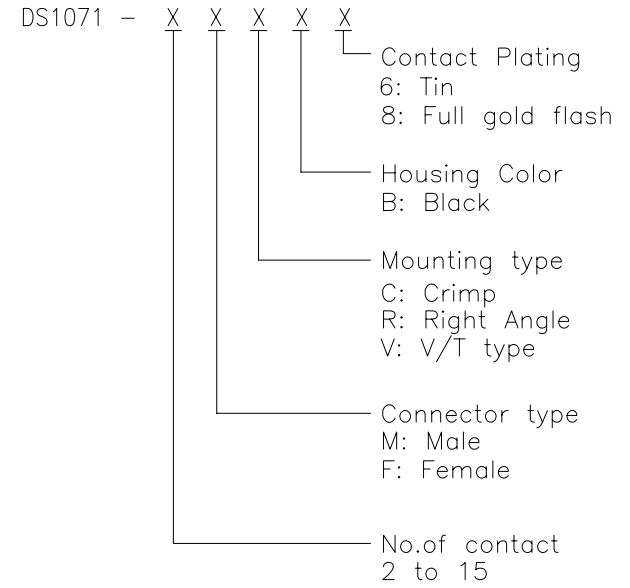
FEMALE HOUSING

Position	DIMENSION	
	A	B
1	-	2.8
2	2.54	5.4
3	5.08	7.9
4	7.62	10.5
5	10.16	13.0
6	12.70	15.5
7	15.24	18.0
8	17.78	20.0
9	20.32	23.2
10	22.86	25.7
11	25.40	28.2
12	27.94	30.8
13	30.48	33.3
14	33.02	35.8
15	35.56	38.4

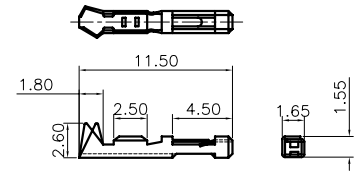
MALE

Position	DIMENSION	
	A	B
1	-	2.8
2	2.54	5.4
3	5.08	7.9
4	7.62	10.5
5	10.16	13.0
6	12.70	15.5
7	15.24	18.0
8	17.78	20.96
9	20.32	23.2
10	22.86	25.7
11	25.40	28.2
12	27.94	30.8
13	30.48	33.3
14	33.02	35.8
15	35.56	38.4

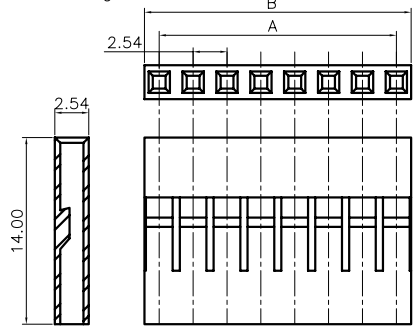
2. PRODUCT NUMBER CODE:



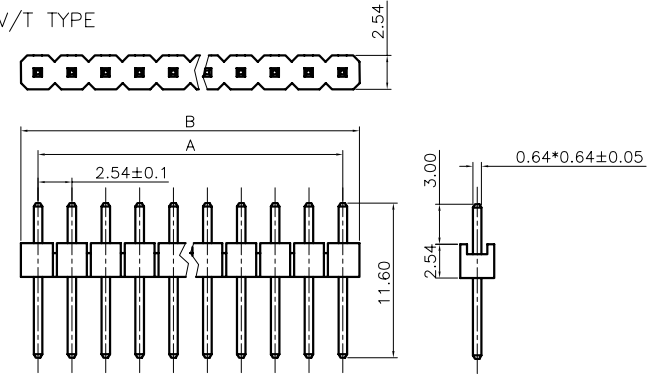
FEMALE TERMINAL



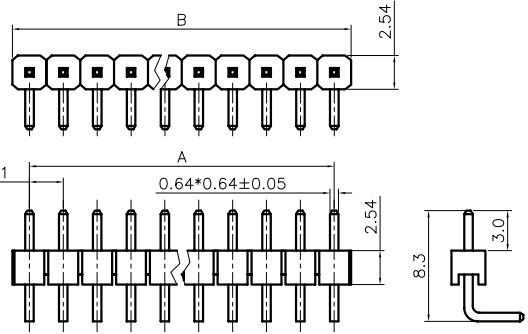
FEMALE Housing



MALE V/T TYPE



MALE Right Angle TYPE



GENERAL TOLERANCE		ANGLE TOLERANCE		PROJECTION	TITLE
X.	±0.60	X.	±5°		P.C.B CONNECTOR 2.54mm TJC8 TYPE
.X	±0.38	.X	±3°	mm	
.XX	±0.25	.XX	±2°		SHEET SIZE A4 SERIES DS1071 SERIES
DRAWING TYPE CUSTOMER				PLS-40 ( 2.54 ) BLS	
SCALE 1:1		SHEET 1 OF 1			
DRAWING NO. C-DS1071-XXXXX					