

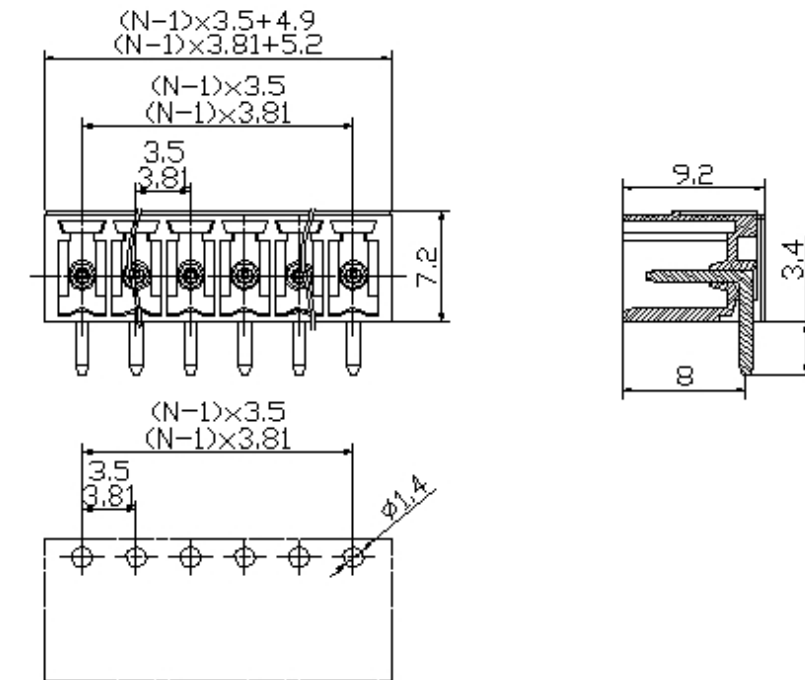


DEGSON ELECTRONICS CO., LTD.

Product Specification

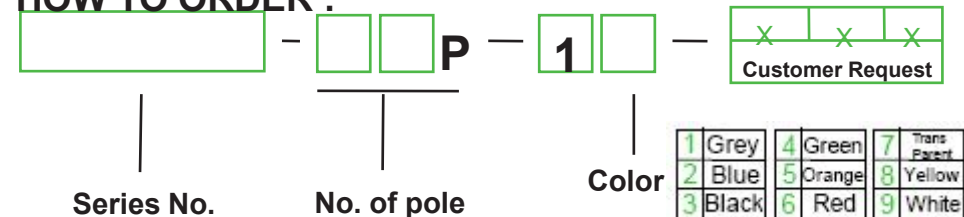


15EDGRC-THR-3.5
15EDGRC-THR-3.81



Approval		
Electrical Standard	UL	IEC
Rated voltage Rated current	300V 8A	250V 8A
Rated impulse voltage	2.5KV	
Mechanical		
Ambient temperature	-40°C~+140 °C	
Dimensions		
Pitch	3.5(.138") 3.81(.150")	
Poles	2P-12P	
Material		
Housing	PA4 6,UL94 V-0	
Pin header	Copper, Tin plated	

HOW TO ORDER :



	DEGSON ELECTRONICS CO., LTD.
	NAME 15EDGRC-THR-3.5, 15EDGRC-THR-3.81