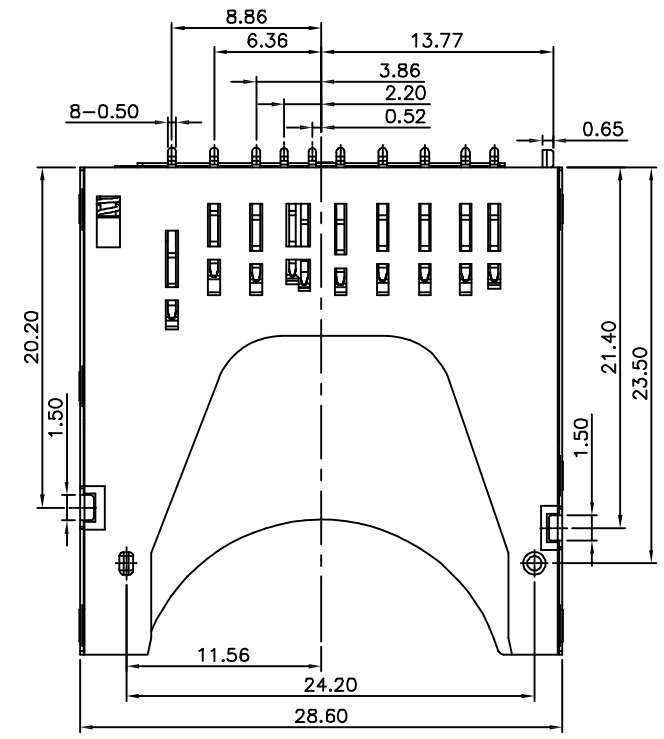
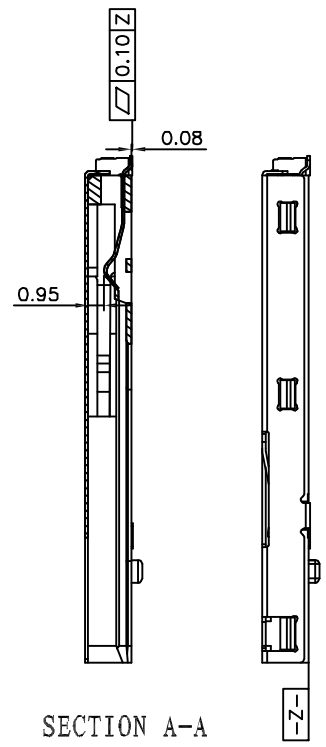
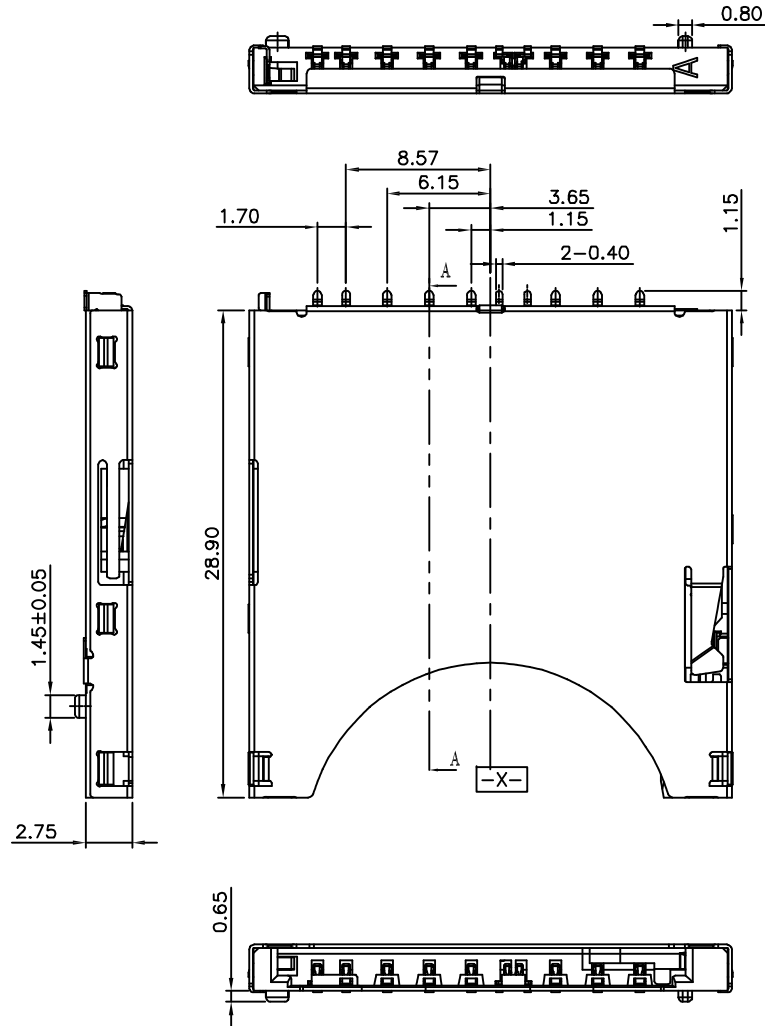
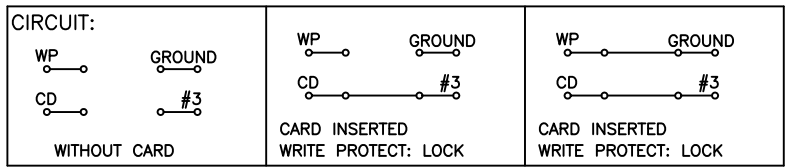


REV.	DESCRIPTION	DRAWN	CHECKED	APPROVED
A	NEW RELEASE	JLZ 10/11/14'		



SECTION A-A



GENERAL TOLERANCE		ANGLE TOLERANCE	
X.	±0.60	X.	±5°
.X	±0.38	.X	±3°
.XX	±0.25	.XX	±2°
DRAWING TYPE	CUSTOMER		
SCALE	1:1	SHEET	1 OF 2
DRAWING NO.	C-DS1139-03-XXXXXX-A		

PROJECTION		TITLE	SD CARD PUSH-PUSH	
UNITS	mm		POST ∅1.45mm H=2.75MM	
SHEET SIZE	A4	SERIES	DS1139-03 SERIES	

晨翔电子有限公司
CONNFLY® CONNFLY ELECTRONIC CO., LTD

