

FYL- 1804XXX1A

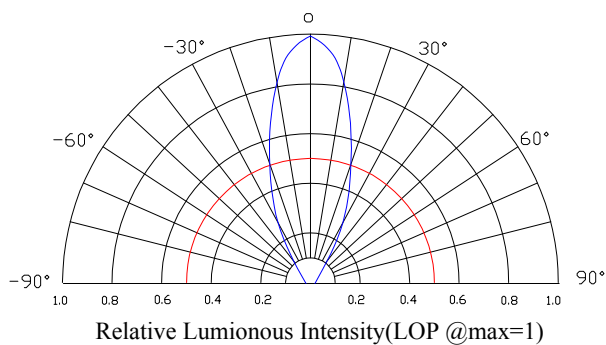
Features:

- General purpose leads
- RoHs compliant.

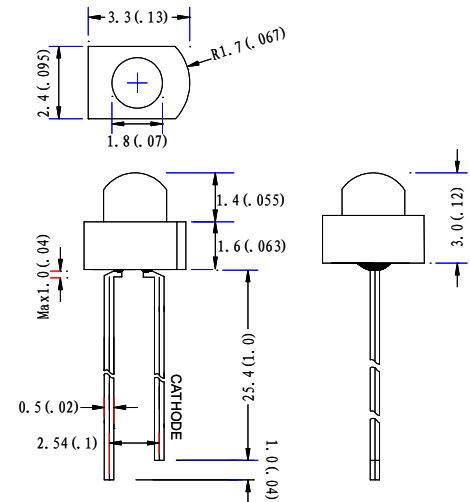
Descriptions:

- Dice material: GaP/GaAsP/InGaN/AlGaInP.
- Device Outline: nipple Type.

Radiation pattern.



Package configuration



- ◆ All dimensions are millimeters (inches)
- ◆ Tolerance is $\pm 0.25\text{mm}(.010\text{'})$ unless otherwise noted.

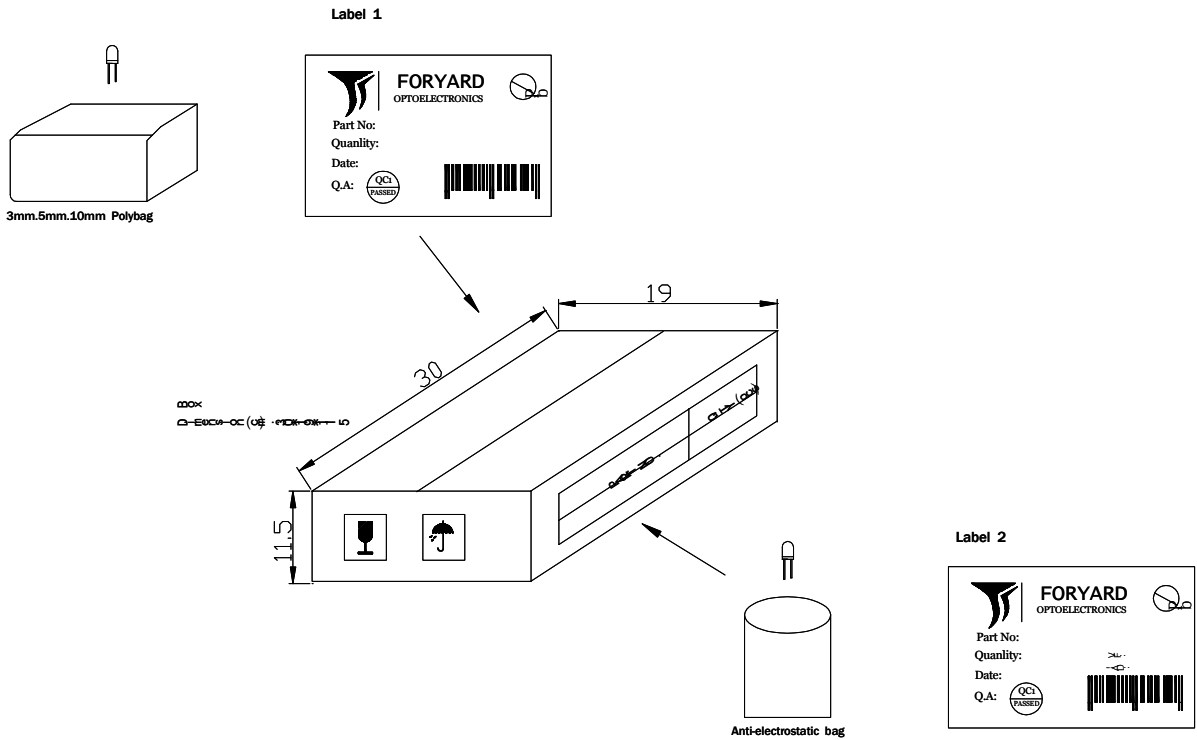
Absolute maximum ratings(Ta=25 °c)

Parameter	MAX.	Unit
Continuous Forward Current	20	mA
Derating Linear From 50°C	0.4	mA/°C
Reverse Voltage	5	V
Operating Temperature Range	-30°C to +80°C	
Storage Temperature Range	-40°C to +100°C	
Lead Soldering Temperature[4mm(.157") From Body]	260°C for 5 Seconds	

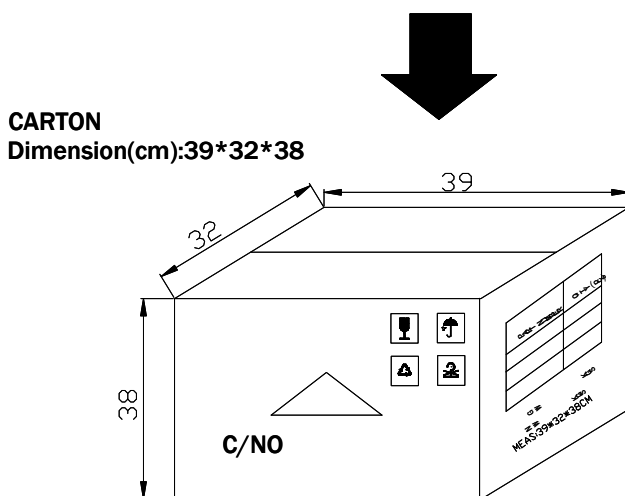
Optical Characteristics at TA = 25° C,IF=20mA.

Part Number	Lens Color	Wave length (nm)	Intensity (mcd)	Angle 2 θ 1/2
FYL-1804HC1A	Water clear	700	40	40
FYL-1804ED1A	Red diffused	625	55	50
FYL-1804AD1A	Amber diffused	610	50	50
FYL-1804YD1A	Yellow diffused	588	50	50
FYL-1804GD1A	Green diffused	568	45	50
FYL-1804LRC1A	Water clear	660	150	40
FYL-1804SURC1A	Water clear	630	550	40
FYL-1804NURC1A	Water clear	630	800	40
FYL-1804LURC1A	Water clear	630	1200	40
FYL-1804SUEC1A	Water clear	625	600	40
FYL-1804SUAC1A	Water clear	610	580	40
FYL-1804SUYC1A	Water clear	588	620	40
FYL-1804SUGC1A	Water clear	568	500	40
FYL-1804PGC1A	Water clear	520	2600	40
FYL-1804BGC1A	Water clear	505	2500	40
FYL-1804UBC1A	Water clear	470	1100	40
FYL-1804UWC1A	Water clear	X:0.29 Y:0.30 CCT:9500K	1200	40

LAMP PACKING.



DEVICE	QTY/polybag(pcs)	Polybag/box A	Fig
5mm(T-1 3/4)	1000	8 bags	Label 1
3mm(T-1)	1000	10 bags	Label 1
10mm(T-1)	250	8 bags	Label 1
Blue/Green/White	500pcs	8 bags	Label 2



6 Boxes/Carton
 5mm:48,000pcs
 3mm:60,000pcs
 10mm:12,000pcs
 Blue/Pure Green/bluish Green
 /White:24,000pcs