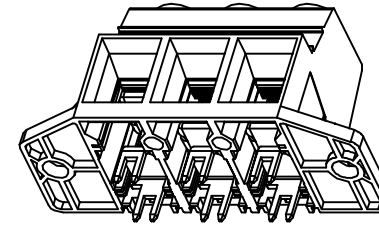
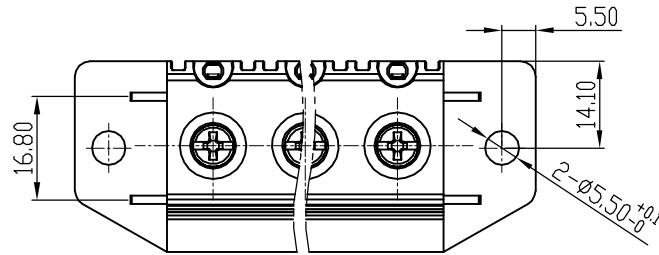
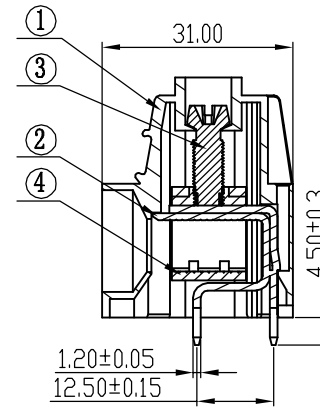
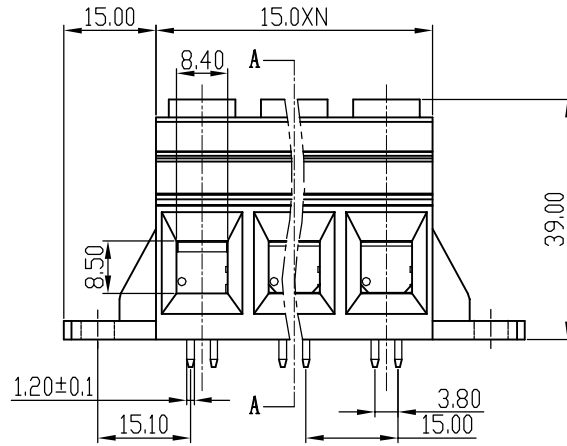
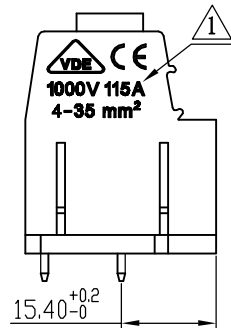


REVISION RECORD				
REV	ECD	DESCRIPTION	DRFT	DATE
△	10-0314	增加VDE刻字	Yi. Zeng	09/25/10*

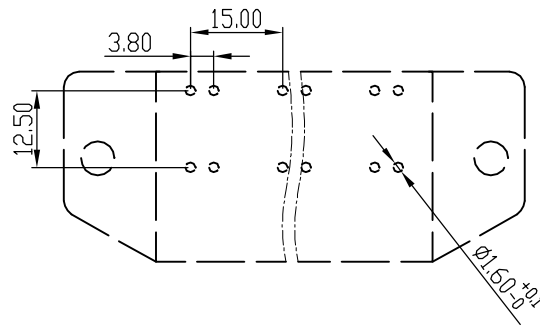
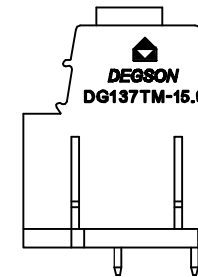


- Notes:
1. Pitch: 15.0mm, Poles: 2P, 3P~9P
 2. Rated voltage/current: UL1059 600V/115A
VDE 1000V/115A
 3. Insulation resistance: 5000MΩ/DC1000V
 4. Withstanding voltage: AC3000V/1Min
 5. Temp. Range: -40°C~+105°C
 6. Wire Range: 20-2AWG, 4-35mm²
 7. Max. Torque Value: 20.40kgf.cm
 8. Undimensioned Tolerances:

Pitch range in mm		Nominal dimension range in mm					
to	over	to	over	to	over		
6	10	24	30	60	100	150	∩
10	24	30	60	100	150		□
±0.10	±0.15	±0.25	±0.2	±0.3	±0.5	±0.7	±1



Section A-A



4	DG137TM Cage	X000003220(H)	XX	Steel	Cr ³⁺ Zn
3	DG137TM M5-Screw	S000003330(H)	XX	Steel	Zn
2	DG137TM Pin header	4119B00010(H)	XX	copper	Sn

ITEM	NAME OF PART	NO. OF PART	Q'TY	MATERIAL	NOTES																																	
1	DG137TM Housing	4119A0YXXA(H)	1	PA66	UL94V-0																																	
<table border="1"> <tr> <td>MM (INCH)</td> <td>DRFT YHG</td> <td>DATE 07/04/08*</td> </tr> <tr> <td>TOLERANCES EXCEPT AS NOTED</td> <td>CHKD</td> <td>DATE</td> </tr> <tr> <td></td> <td>MFD</td> <td>DATE</td> </tr> <tr> <td>MM</td> <td>APPVL</td> <td>DATE</td> </tr> <tr> <td>.0 ±</td> <td></td> <td></td> </tr> <tr> <td>.00 ±</td> <td></td> <td></td> </tr> <tr> <td>.000 ±</td> <td></td> <td></td> </tr> <tr> <td>MATERIAL :</td> <td></td> <td></td> </tr> <tr> <td>ANGLES ± 1°</td> <td>G.E :</td> <td></td> </tr> <tr> <td>THIRD ANGLE PROJECTION</td> <td>FINISH:</td> <td></td> </tr> <tr> <td></td> <td>SCALE : 1:1</td> <td></td> </tr> </table>						MM (INCH)	DRFT YHG	DATE 07/04/08*	TOLERANCES EXCEPT AS NOTED	CHKD	DATE		MFD	DATE	MM	APPVL	DATE	.0 ±			.00 ±			.000 ±			MATERIAL :			ANGLES ± 1°	G.E :		THIRD ANGLE PROJECTION	FINISH:			SCALE : 1:1	
MM (INCH)	DRFT YHG	DATE 07/04/08*																																				
TOLERANCES EXCEPT AS NOTED	CHKD	DATE																																				
	MFD	DATE																																				
MM	APPVL	DATE																																				
.0 ±																																						
.00 ±																																						
.000 ±																																						
MATERIAL :																																						
ANGLES ± 1°	G.E :																																					
THIRD ANGLE PROJECTION	FINISH:																																					
	SCALE : 1:1																																					
宁波高正电子有限公司 DEGSON ELECTRONICS CO., LTD			NAME DG137TM-15.0-XXP-1Y-00A1																																			
DRAWING NO. DG137TM-15.0-E01				SIZE	REV																																	
/PART NO.				A3	T1																																	
DO NOT SCALE DRAWING				SHEET 1	OF 1																																	