

REVISION RECORD				
REV	ECN	DESCRIPTION	DRFT	DATE

DISCONNECT POWER BEFORE OPENING!

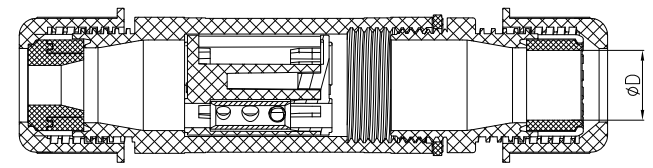
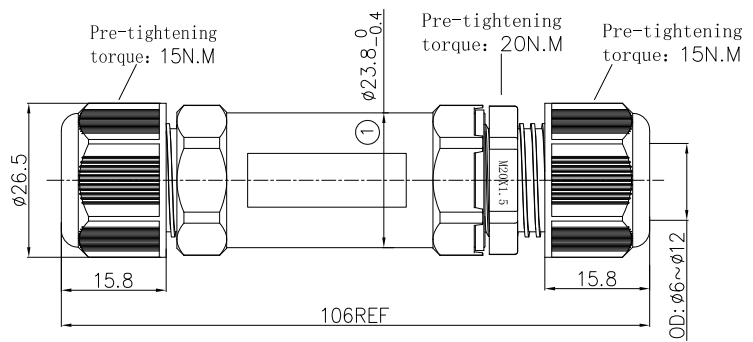
Not Revision

CE CD-200/3 CA10
450V 24A 1.0-2.5mm² IP68 T110

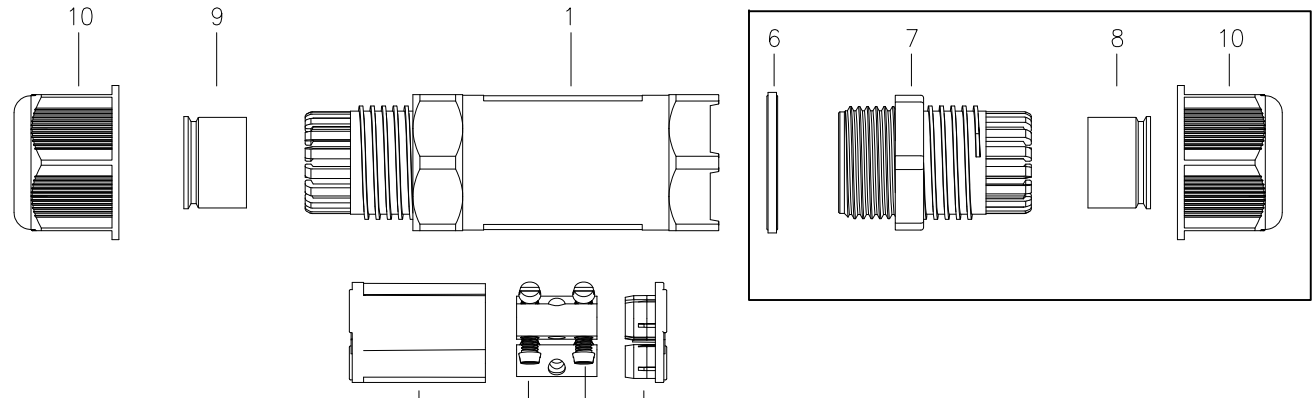
Before Revision

DEGSON YX-C-N-M20-6-12 IP68

After Revision



Type	Ø Dimension	Wiring Range
A	Ø12.0	Ø7~12
B	Ø8.0	Ø5.5~8
C	Ø5.0	Ø2.5~5



NOTES:

- Rated Voltage/Limit Current : 450V / 24A
- Tightening Torque : M3, 0.4N.m
- Pull-out Force of Multicore Cable : IEC60352-2
- Wire Range : 1.0~2.5mm²
- Ingress Protection : IP68
- Operating Temperature : -40°C~+105°C
- Stripping Length : 6.5~8.0mm
- Joint Outlet Range : 6.0~12.0mm
- Ingress Protection: IP68 5 bar (50m/1h)
- Undimensioned Tolerances: ±0.3

Static Pull-out Force

Rotate Pull-out Force

mm ²	AWG	N
0.34	22	15
0.5	20	20
0.75	18	30
1.0	18	35
1.5	16	40
2.5	14	50

mm ²	AWG	kg
0.34	22	0.2
0.5	20	0.3
0.75	18	0.4
1.0	18	0.4
1.5	16	0.4
2.5	14	0.7

ITEM	NAME OF PART	NO. OF PART	Q'TY	MATERIAL	NOTES
8	M20*1.5 Joint seal ring 2	E013H0300AH	1	Silicon rubber	Purchase
7	M20*1.5 Compacting joint	E013G0300CH	1	PA66	
6	M20*1.5 Joint component	E013G0300AH	1	PA66	M3/Zn Plated
5	DG10HS Slotted screw	S000003000	6	STEEL	
4	DG801Copper pillar 2	X000000040	3	BRASS	Ni Plated
3	Main current carrier cover for splitter	E013F0300AH	1	PA66+25%GF	UL94-V0
2	Main current carrier of splitter	E013E0300AH	1	PA66+25%GF	
1	Circular splitter main body	E013A0300AH	1	PA66	UL94-V0

DETACHED LISTS	PART NO.: YX-C-N-M20-6-12	宁波高松电子有限公司 NINGBO DEGSON ELECTRICAL CO., LTD			
	APPD:	NAME: M20 3 core straight waterproof connector			
	CHKD:	TITLE: CUSTOMER DRAWING			
	DRFT: WYM 2017/11/23	REV	TO-2		
THIRD ANGLE PROJECTION		DRAWING NO.: I001-E01	SHEET	1/1	
		MM (INCH)	DO NOT SCALE DRAWING	SCALE	1:1